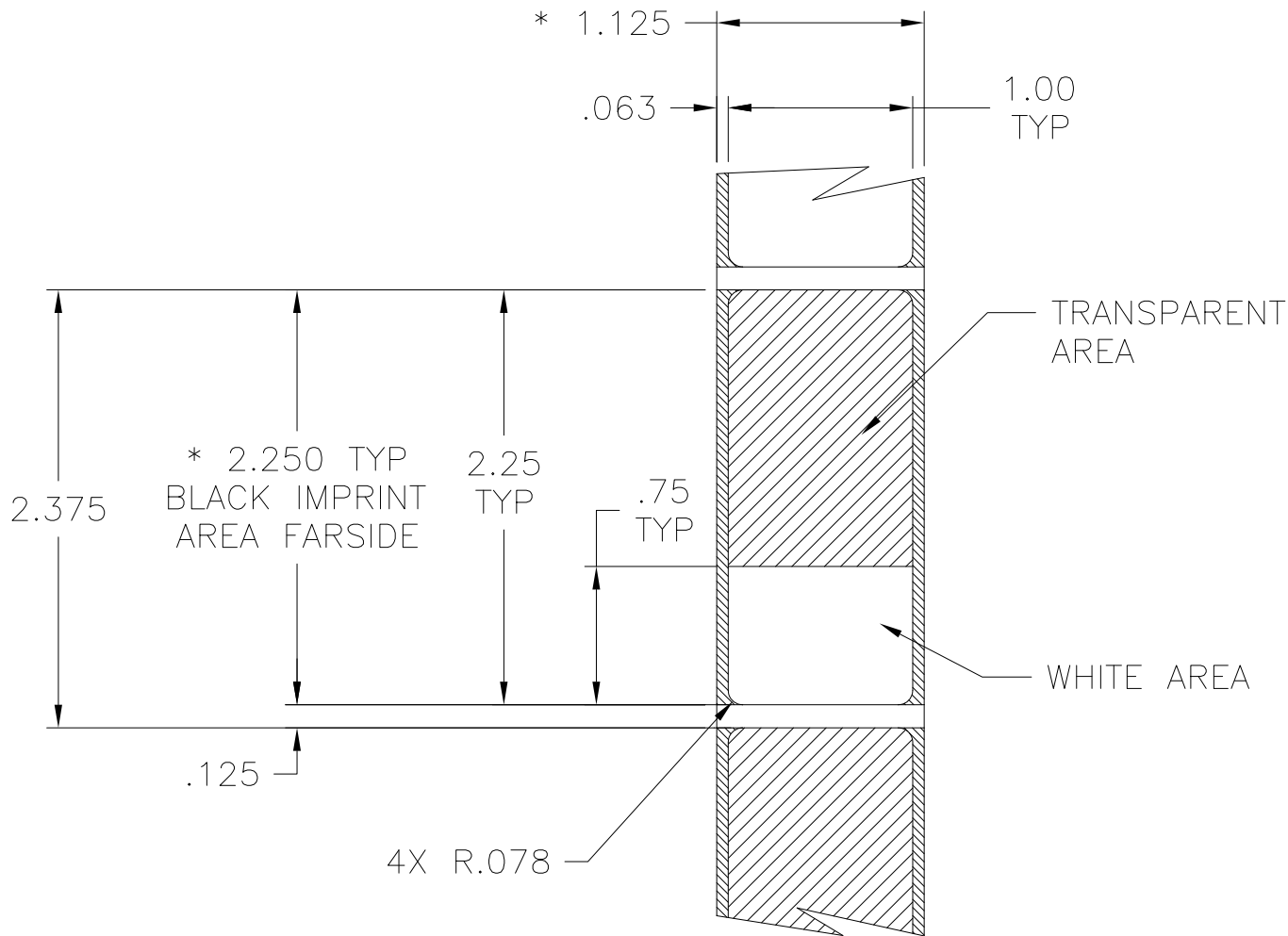


name	date	city, state

NOTES

* DIMENSIONS FOR FAR SIDE OF RELEASE LINER



1,000 WHITE/TRANSPARENT LABELS PER ROLL
1 ACROSS

REVISION	DR level	PART	number TAG9T1-100B	phase PRODUCTION	DRAWING	FORMAT AV version M	CAD ACAD	scale 1X
	date 08/09/13		name TAG9T1-100B	computer file number LA\DTL\3002161_01		previous number		
	by AAC		THERMAL TRANSFER SELF-LAMINATING LABEL	drawn A.A.C.		checked K.A.C.	approved	
	ECN# 012427		material 100 SELF-LAMINATING VINYL	drawn 08/09/13		checked 08/09/13	approved	
part level -						type DETAIL	sheet 1 of 1	
						number LA3002161DTL		

DIMENSIONS

TOLERANCES

.XXXX=±.0005
.XXX=±.005
.XX=±.01
.X=±.03
∠=±0.5°
unless otherwise specified
units inches