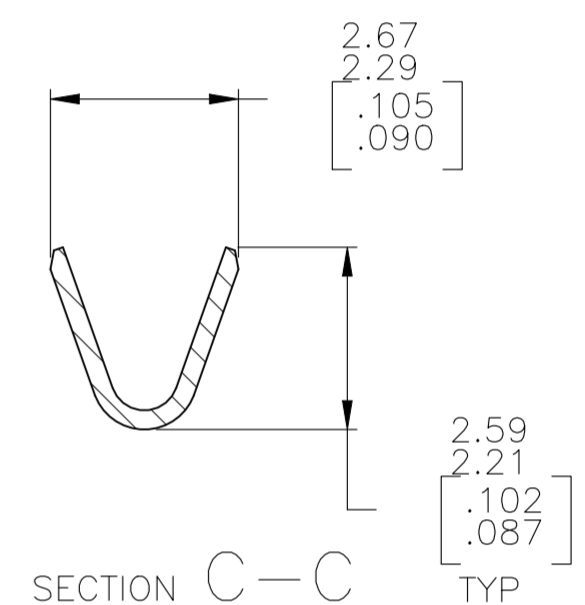
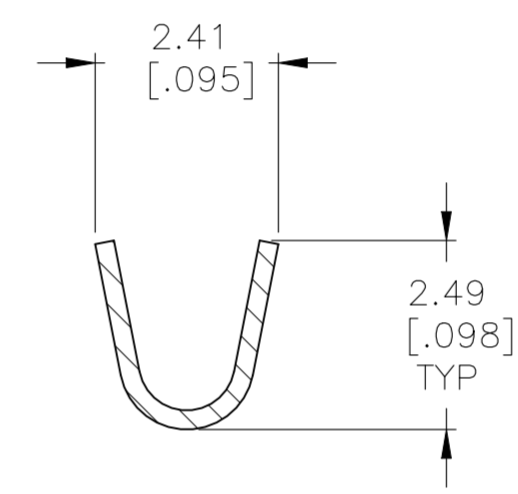
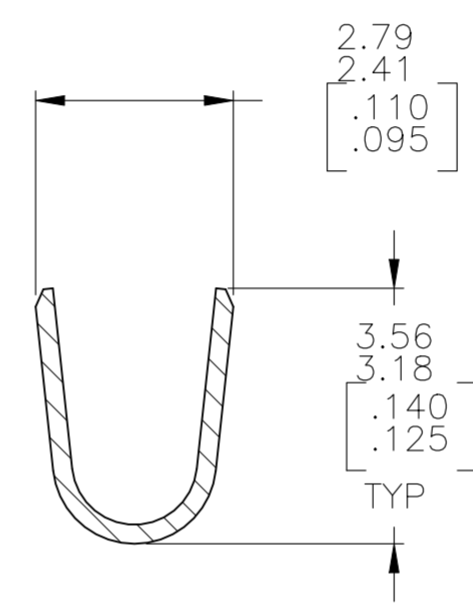
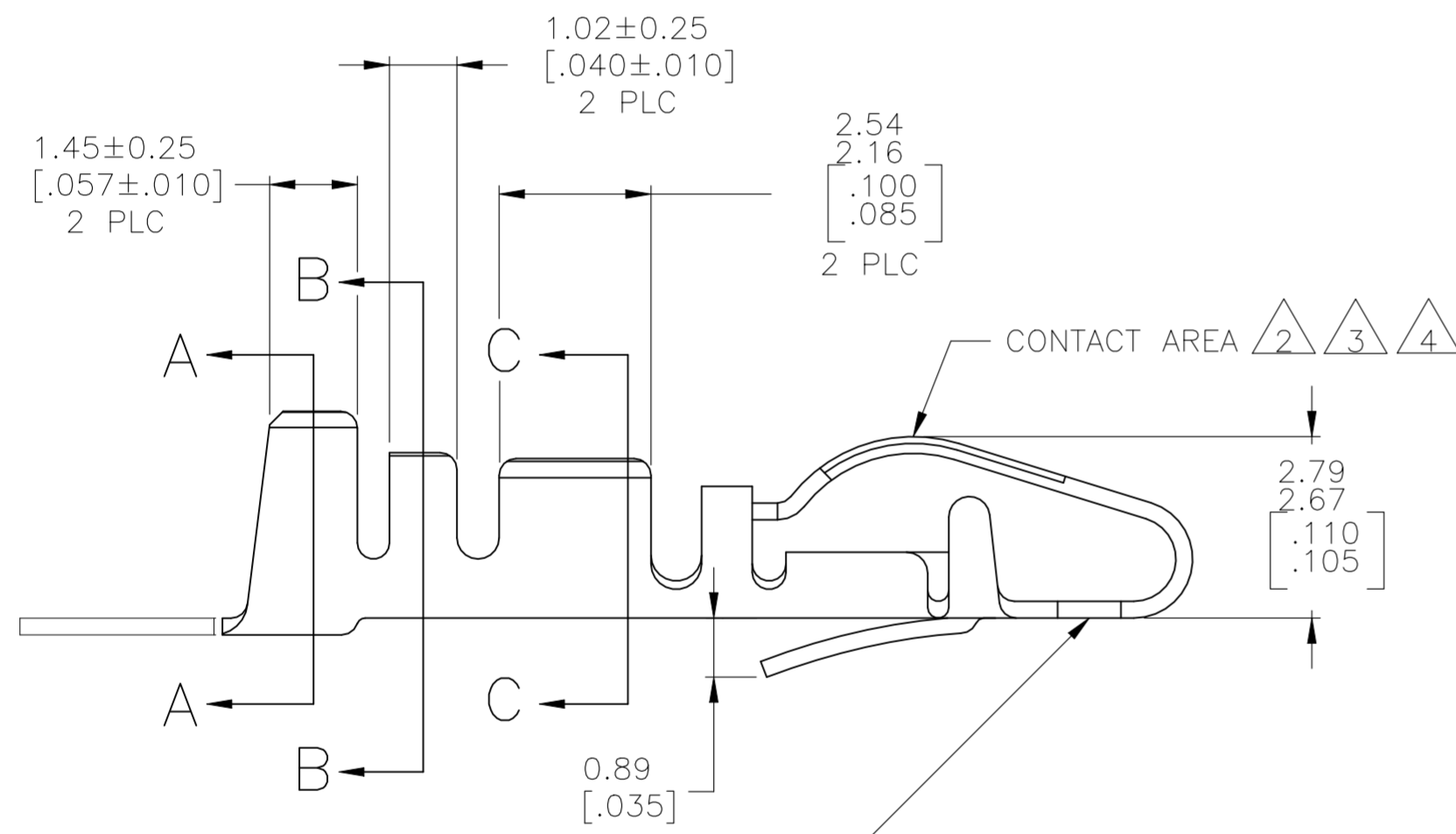
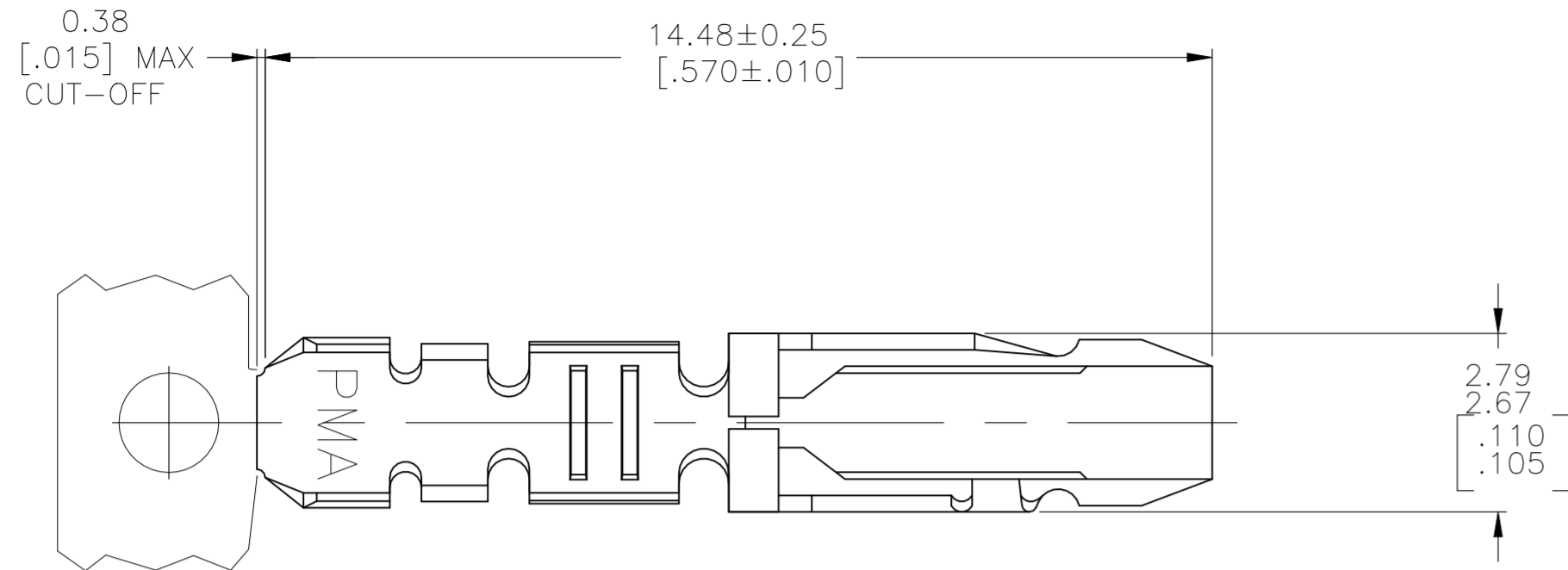


REVISIONS					
P	LTR	DESCRIPTION	DATE	DWN	APVD
J2		ECN-22-171534	30AUG2022	RK	JO



THIS AREA COLOR CODED GREEN

- ① PHOSPHOR BRONZE.
- ② 2.54µm[.000100] MIN TIN-LEAD OVER 1.27µm[.000050] MIN NICKEL.
- ③ 0.76µm[.000030] MIN GOLD IN CONTACT AREA, GOLD FLASH ON REMAINDER OF CONTACT, BOTH OVER 1.27µm[.000050] MIN NICKEL.
- ④ 0.38µm[.000015] MIN GOLD IN CONTACT AREA OVER 1.27µm[.000050] MIN NICKEL.
- 5. INSULATION RANGE: 1.40-2.03[.055-.080] DIA.
- ⑥ 2.54µm[.000100] MIN MATTE TIN PLATE OVER 1.27µm[.000050] MIN NICKEL.
- ⑦ OBSOLETE PARTS: OBSOLETE CIS STREAMLINING PER D.RENAUD/D.SINISI

OBSOLETE	⑥	5-583989-2
	④	583989-4
	③	583989-3
OBSOLETE	②	583989-2
	FINISH	PART NUMBER

THIS DRAWING IS A CONTROLLED DOCUMENT.		DWN D.HARDY 28 AUG 97		
DIMENSIONS: mm		CHK R.STONE 04 SEP 97		
TOLERANCES UNLESS OTHERWISE SPECIFIED:		APVD N.SCHROLL 05 SEP 97	NAME CONTACT, 22-18 AWG, AMP-LEAF TM	
0 PLC ± -		PRODUCT SPEC	SIZE A2	
1 PLC ± -		APPLICATION SPEC	CAGE CODE 00779	
2 PLC ± 0.13 [.005]		WEIGHT -	DRAWING NO C=583989	
3 PLC ± -		FINISH SEE TABLE	RESTRICTED TO -	
4 PLC ± -			SCALE 10:1	
ANGLES ± -			SHEET 1 OF 1	
MATERIAL ①		CUSTOMER DRAWING	REV J2	