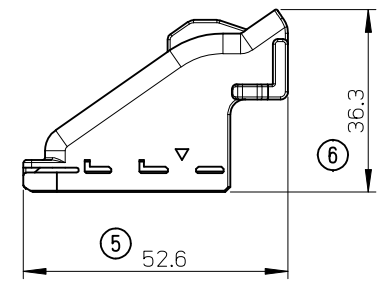
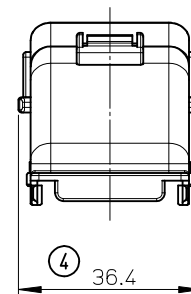
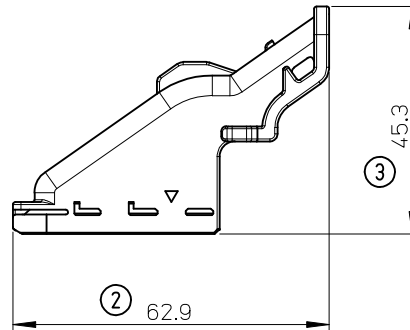
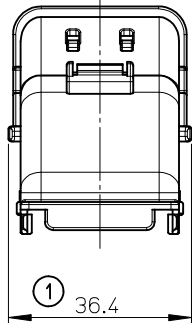
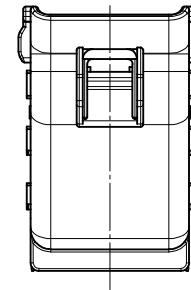
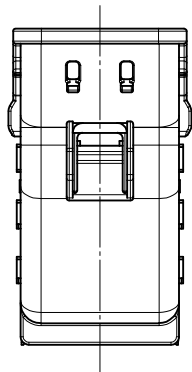


10 9 8 7 6 5 4 3 2 1



LONG TYPE
560190-0111

SHORT TYPE
560190-0101

NOTES

1. GENERAL TOLERANCES
 $<10: \pm 0.3$
 $10 \leq <30: \pm 0.4$
 $30 \leq : \pm 0.5$
 ANGULAR : $\pm 5^\circ$
2. APPLICABLE CONNECTOR
 560153, 560154 SERIES
3. MATERIAL: PA, UNFILLED
4. COLOR: BLACK
5. ELV & RoHS COMPLIANT

REVISED EC NO: JTR2016-0083 DRWN:SHSHIBATA 2016/03/24 CHKD:HKOMATSU 2016/03/30 APPR:MAYAMAMOTO 2016/03/30	DESCRIPTION WIRE DRESS COVER FOR COMPACTUS	QUALITY SYMBOLS		GENERAL TOLERANCES (UNLESS SPECIFIED)		DIMENSION STYLE		SCALE	DESIGN UNITS	THIRD ANGLE PROJECTION		
						MM ONLY		1:1	METRIC			
						mm	INCH	DRAWN BY		DATE		TITLE
								SHSHIBATA		2014/06/24		WIRE DRESS COVER FOR COMPACTUS
						3 PLACES		DATE				
						HKOMATSU		2014/06/24				
						1 PLACE		DATE				
						MAYAMAMOTO		2015/11/12				
						0 PLACE		DATE				
						ANGULAR		DATE				
						DRAFT WHERE APPLICABLE MUST REMAIN WITHIN DIMENSIONS		MATERIAL NO.		DOCUMENT NO.		
						SIZE		THIS DRAWING CONTAINS INFORMATION THAT IS PROPRIETARY TO MOLEX INCORPORATED AND SHOULD NOT BE USED WITHOUT WRITTEN PERMISSION		SHEET NO.		
						A3				1 OF 1		

9 8 7 6 5 4 3 2 1