

| | | | |
|-----|----|----|--------------------|
| 9.2 | 38 | 42 | 40 |
| 9.2 | 36 | 40 | 38 |
| 9.2 | 34 | 38 | 36 |
| 9.2 | 32 | 36 | 34 |
| 9.2 | 30 | 34 | 32 |
| 9.2 | 28 | 32 | 30 |
| 9.2 | 26 | 30 | 28 |
| 9.2 | 24 | 28 | 26 |
| 9.2 | 22 | 26 | 24 |
| 9.2 | 20 | 24 | 22 |
| 9.2 | 18 | 22 | 20 |
| 9.2 | 16 | 20 | 18 |
| 9.2 | 14 | 18 | 16 |
| 9.2 | 12 | 16 | 14 |
| 9.2 | 10 | 14 | 12 |
| 7.3 | 8 | 12 | 10 |
| C | B | A | 極数 CIRCUIT SIZE |

① TABLE 1

| 番号 No. | 部品 PART | 材質 MATERIAL |
|-----------|-------------------|--|
| ① | ターミナル TERMINAL | 黄銅, BRASS 下地めっき UNDER PLATING 銅めっき 1.0 micro-meter MIN. COPPER PLATING 1.0 micro-meter MIN. コンタクト CONTACT 無光沢錫めっき(リフロー処理) 1.0 micro-meter MIN. MATTE TIN PLATING (REFLOW TREATMENT) 1.0 micro-meter MIN. テール SOLDER TAIL |
| | ハウジング HOUSING | ポリアミド(PA)ガラス入り, UL94V-0, 色: SEE CHART POLYAMIDE(PA) GLASS FILLED, UL94V-0, COLOR : SEE CHART |

THIS DRAWING CONTAINS INFORMATION THAT IS PROPRIETARY TO MOLEX ELECTRONIC TECHNOLOGIES, LLC AND SHOULD NOT BE USED WITHOUT WRITTEN PERMISSION

| | | | |
|--|-------------------------------------|--|---------------------|
| DIMENSION UNITS mm | SCALE NTS | CURRENT REV DESC: RELEASED | |
| GENERAL TOLERANCES (UNLESS SPECIFIED) | | IGRID 2.0 PLUG ASSEMBLY VERTICAL TIN PLATING PRODUCT CUSTOMER DRAWING | |
| ANGULAR TOL | ± 3.0 ° | | |
| 4 PLACES | ± 0.2 | | |
| 3 PLACES | ± 0.2 | | |
| 2 PLACES | ± 0.2 | | |
| 1 PLACE | ± 0.2 | EC NO: 619913 DRWN: SNAKAMURA08 2019/06/28 CHK'D: SAKIYAMA 2019/07/01 APPR: KOMURAKAMI 2019/07/01 | |
| 0 PLACES | ± 0.2 | INITIAL REVISION: DRWN: SNAKAMURA08 2019/05/09 APPR: KOMURAKAMI 2019/05/24 | |
| DRAFT WHERE APPLICABLE MUST REMAIN WITHIN DIMENSIONS | THIRD ANGLE PROJECTION | DRAWING A3-SIZE | SERIES 501645 |
| DOCUMENT STATUS P1 | RELEASE DATE 2019/07/01 07:49:34 | MATERIAL NUMBER SEE SHEET 3 | CUSTOMER GENERAL |
| | | DOCUMENT NUMBER 5016450000-SD | DOC TYPE PSD |
| | | DOC PART 000 | REVISION B |
| | | SHEET NUMBER 1 OF 3 | |

NOTES.

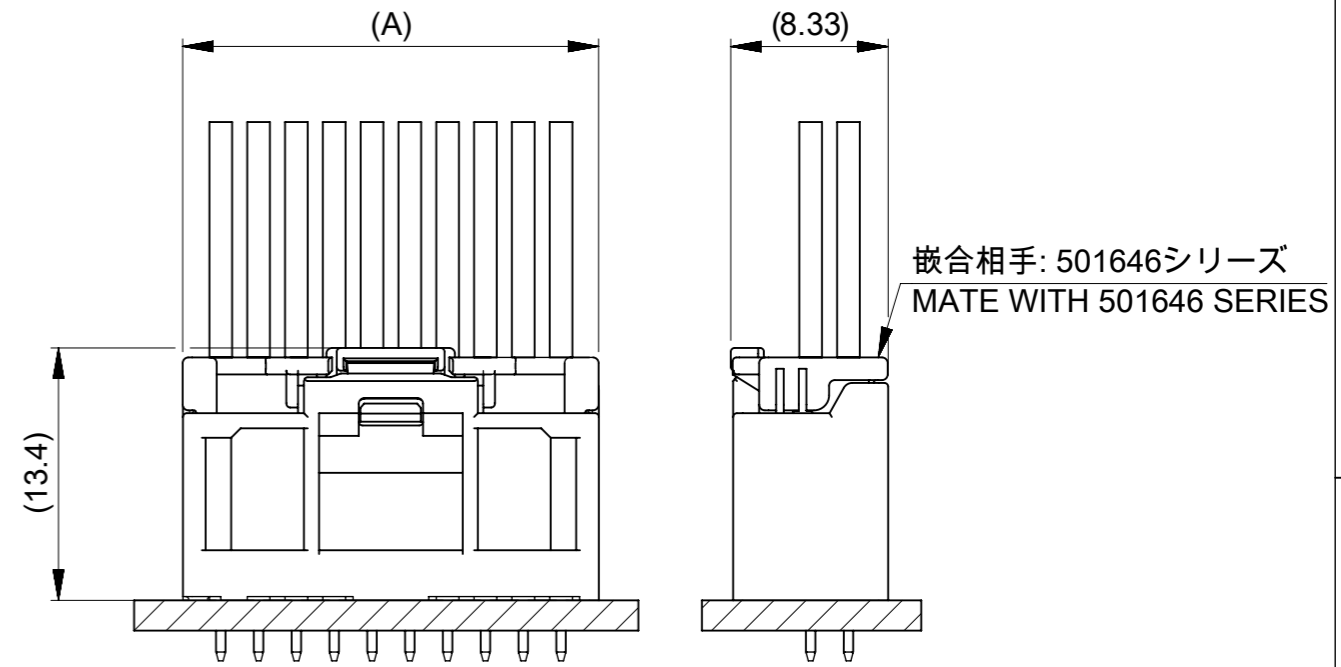
- 1. 材料及び仕上げ(めっき仕様) : TABLE 1 参照
MATERIAL AND FINISHES : SEE TABLE 1
- 2. 製品仕様書 : PS-501646-001
PRODUCT SPECIFICATION:PS-501646-001
- 3. 嵌合相手:
MATES WITH:

| | | |
|-----------------------------------|---|---------------|
| リセプタクルハウジング RECEPTACLE HOUSING | 501646 SERIES | |
| 圧着端子 RECEPTACLE CRIMP TERMINAL | AWG #22-26 錫めっき AWG #22-26 TIN PLATING | 501647 SERIES |
| | AWG #26-28 錫めっき AWG #26-28 TIN PLATING | 501648 SERIES |

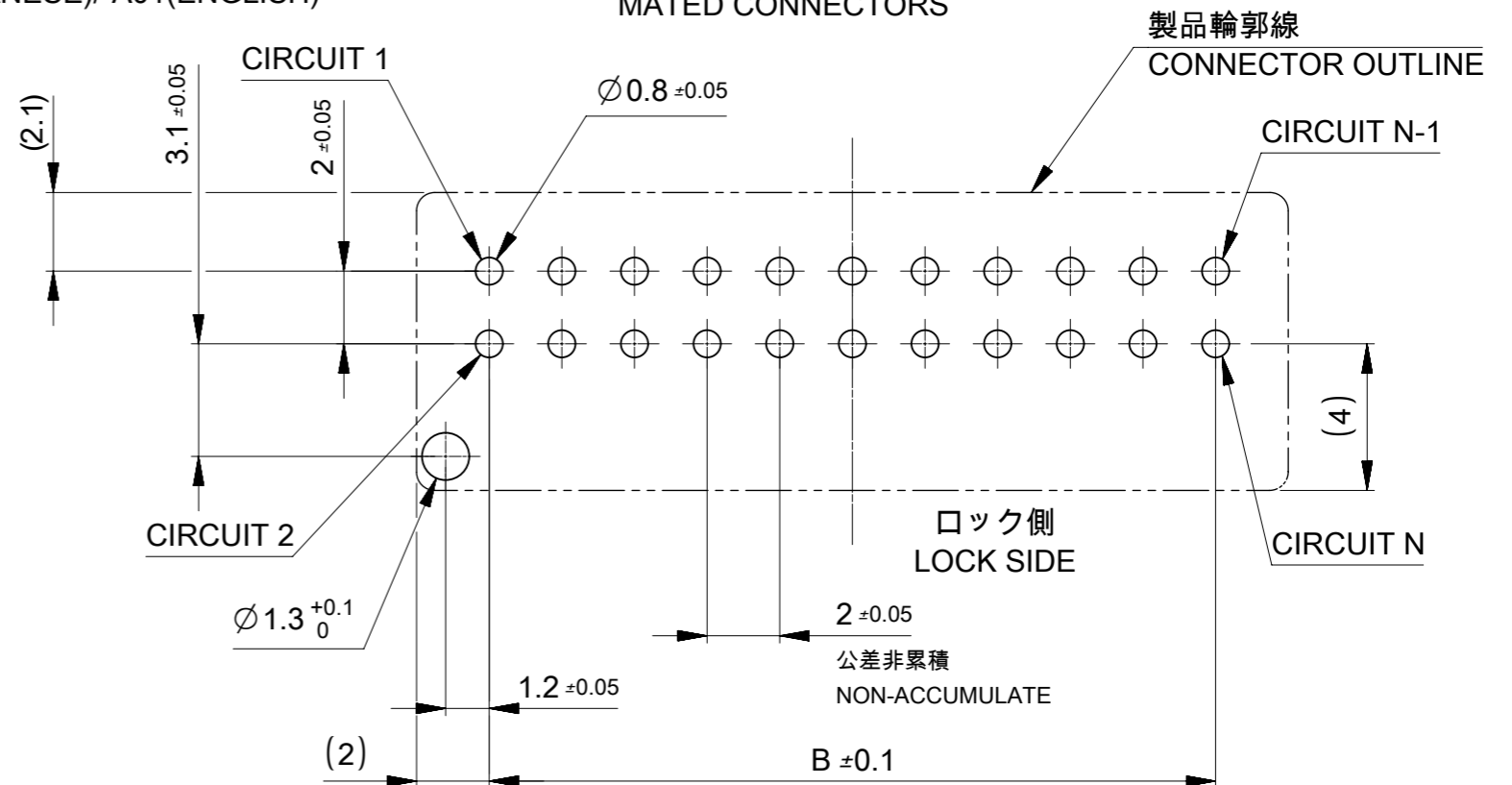
- 4. アプリケーション仕様書(コネクタ取扱い説明書) : 5016460000/PS/A00(日本語版)/-A01(英語版)
APPLICATION SPECIFICATION(CONNECTOR MANNUAL): 5016460000/PS/A00(JAPANESE)/-A01(ENGLISH)
- 5. 本製品は錫めっき品です。
THIS PRODUCT IS A TIN PLATING.
- 6. 極数/2 = 偶数に適応
APPLY FOR CIRCUIT SIZE / 2 =EVEN
- 7. ターミナルに錫めっきを使用している為、外観に摺動痕が付く場合があります。
THE WOUND OF FRICTION MIGHT ADHERE TO EXTERNALS
BECAUSE THE TIN PLATING IS USED FOR TERMINAL.
- 8. 梱包仕様書: SPK-501645-001
PACKING INFORMATION : SPK-501645-001
- 9. 発注番号 : SHEET 3 参照
ORDER No. : PLEASE REFER TO SHEET 3 FOR PRODUCT LIST

501645 **2*

| | |
|--------------------|---------------------------|
| 極数 CIRCUIT SIZE | ハウジングカラー HOUSING COLOR |
| | 0:ナチュラル NATURAL |
| | 1:黒 BLACK |
| | 2:赤 RED |
| | 3:黄 YELLOW |
| | 4:青 BLUE |
| | 5:桃 PINK |
| | 6:緑 GREEN |
| | 7:茶 BROWN |
| | 8:橙 ORANGE |
| | 9:紫 BIOLET |



嵌合状態図
MATED CONNECTORS



基板取付穴推奨寸法(マウント面)

POLARIZED RECOMMENDED PWB LAYOUT HOLE DIMENSION (MOUNTING SIDE)

参考基板厚 t=1.2~1.6

REFERENCE PWB THICKNESS t=1.2~1.6

| | | | | | |
|---|---------|----------------------------|------------|---|----------|
| THIS DRAWING CONTAINS INFORMATION THAT IS PROPRIETARY TO MOLEX ELECTRONIC TECHNOLOGIES, LLC AND SHOULD NOT BE USED WITHOUT WRITTEN PERMISSION | | CURRENT REV DESC: RELEASED | | molex | |
| DIMENSION UNITS | SCALE | | | | |
| mm | NTS | | | IGRID 2.0 PLUG ASSEMBLY VERTICAL TIN PLATING | |
| GENERAL TOLERANCES (UNLESS SPECIFIED) | | | | PRODUCT CUSTOMER DRAWING | |
| ANGULAR TOL | ± 3.0 ° | EC NO: 619913 | | DOCUMENT NUMBER | |
| 4 PLACES | ± 0.2 | DRWN: SNAKAMURA08 | 2019/06/28 | 5016450000-SD | |
| 3 PLACES | ± 0.2 | CHK'D: SAKIYAMA | 2019/07/01 | DOC TYPE | DOC PART |
| 2 PLACES | ± 0.2 | APPR: KOMURAKAMI | 2019/07/01 | PSD | 000 |
| 1 PLACE | ± 0.2 | INITIAL REVISION: | | REVISION | B |
| 0 PLACES | ± 0.2 | DRWN: SNAKAMURA08 | 2019/05/09 | | |
| DRAFT WHERE APPLICABLE MUST REMAIN WITHIN DIMENSIONS | | APPR: KOMURAKAMI | 2019/05/24 | | |
| THIRD ANGLE PROJECTION | | DRAWING | SERIES | MATERIAL NUMBER | CUSTOMER |
| | | A3-SIZE | 501645 | SEE SHEET 3 | GENERAL |
| | | SHEET NUMBER | | 2 OF 3 | |

△₉ 製品一覧 PRODUCT LIST

| 青: BLUE | 黄: YELLOW | 赤: RED | 黒: BLACK | ナチュラル: NATURAL | HOUSING COLOR |
|-------------|-------------|-------------|-------------|----------------|---------------|
| 501645 4024 | 501645 4023 | 501645 4022 | 501645 4021 | 501645 4020 | 40 |
| ↑ 3824 | ↑ 3823 | ↑ 3822 | ↑ 3821 | ↑ 3820 | 38 |
| 3624 | 3623 | 3622 | 3621 | 3620 | 36 |
| 3424 | 3423 | 3422 | 3421 | 3420 | 34 |
| 3224 | 3223 | 3222 | 3221 | 3220 | 32 |
| 3024 | 3023 | 3022 | 3021 | 3020 | 30 |
| 2824 | 2823 | 2822 | 2821 | 2820 | 28 |
| 2624 | 2623 | 2622 | 2621 | 2620 | 26 |
| 2424 | 2423 | 2422 | 2421 | 2420 | 24 |
| 2224 | 2223 | 2222 | 2221 | 2220 | 22 |
| 2024 | 2023 | 2022 | 2021 | 2020 | 20 |
| 1824 | 1823 | 1822 | 1821 | 1820 | 18 |
| 1624 | 1623 | 1622 | 1621 | 1620 | 16 |
| ↓ 1424 | ↓ 1423 | ↓ 1422 | ↓ 1421 | ↓ 1420 | 14 |
| ↓ 1224 | ↓ 1223 | ↓ 1222 | ↓ 1221 | ↓ 1220 | 12 |
| 501645 1024 | 501645 1023 | 501645 1022 | 501645 1021 | 501645 1020 | 10 |

発注番号 ORDER No.

極数

PACKAGING STYLE : TRAY

CIRCUIT SIZE

| 紫: VIOLET | 橙: ORANGE | 茶: BROWN | 緑: GREEN | 桃: PINK | HOUSING COLOR |
|-------------|-------------|-------------|-------------|-------------|---------------|
| 501645 4029 | 501645 4028 | 501645 4027 | 5016454026 | 501645 4025 | 40 |
| ↑ 3829 | ↑ 3828 | ↑ 3827 | ↑ 3826 | ↑ 3825 | 38 |
| 3629 | 3628 | 3627 | 3626 | 3625 | 36 |
| 3429 | 3428 | 3427 | 3426 | 3425 | 34 |
| 3229 | 3228 | 3227 | 3226 | 3225 | 32 |
| 3029 | 3028 | 3027 | 3026 | 3025 | 30 |
| 2829 | 2828 | 2827 | 2826 | 2825 | 28 |
| 2629 | 2628 | 2627 | 2626 | 2625 | 26 |
| 2429 | 2428 | 2427 | 2426 | 2425 | 24 |
| 2229 | 2228 | 2227 | 2226 | 2225 | 22 |
| 2029 | 2028 | 2027 | 2026 | 2025 | 20 |
| 1829 | 1828 | 1827 | 1826 | 1825 | 18 |
| 1629 | 1628 | 1627 | 1626 | 1625 | 16 |
| ↓ 1429 | ↓ 1428 | ↓ 1427 | ↓ 1426 | ↓ 1425 | 14 |
| ↓ 1229 | ↓ 1228 | ↓ 1227 | ↓ 1226 | ↓ 1225 | 12 |
| 501645 1029 | 501645 1028 | 501645 1027 | 501645 1026 | 501645 1025 | 10 |

発注番号 ORDER No.

極数

PACKAGING STYLE : TRAY

CIRCUIT SIZE

| | | | | | |
|---|---------|------------------------------|---------|---|----------|
| THIS DRAWING CONTAINS INFORMATION THAT IS PROPRIETARY TO MOLEX ELECTRONIC TECHNOLOGIES, LLC AND SHOULD NOT BE USED WITHOUT WRITTEN PERMISSION | | CURRENT REV DESC: RELEASED | | molex | |
| DIMENSION UNITS | SCALE | EC NO: 619913 | | | |
| mm | NTS | DRWN: SNAKAMURA08 2019/06/28 | | IGRID 2.0 PLUG ASSEMBLY VERTICAL TIN PLATING | |
| GENERAL TOLERANCES (UNLESS SPECIFIED) | | CHK'D: SAKIYAMA 2019/07/01 | | PRODUCT CUSTOMER DRAWING | |
| ANGULAR TOL | ± 3.0 ° | APPR: KOMURAKAMI 2019/07/01 | | DOCUMENT NUMBER | |
| 4 PLACES | ± 0.2 | INITIAL REVISION: | | 5016450000-SD | |
| 3 PLACES | ± 0.2 | DRWN: SNAKAMURA08 2019/05/09 | | DOC TYPE | DOC PART |
| 2 PLACES | ± 0.2 | APPR: KOMURAKAMI 2019/05/24 | | PSD | 000 |
| 1 PLACE | ± 0.2 | SERIES | | REVISION | B |
| 0 PLACES | ± 0.2 | MATERIAL NUMBER | | 3 OF 3 | |
| DRAFT WHERE APPLICABLE MUST REMAIN WITHIN DIMENSIONS | | THIRD ANGLE PROJECTION | DRAWING | CUSTOMER | |
| | | | A3-SIZE | SEE CHART | GENERAL |

注記
NOTES

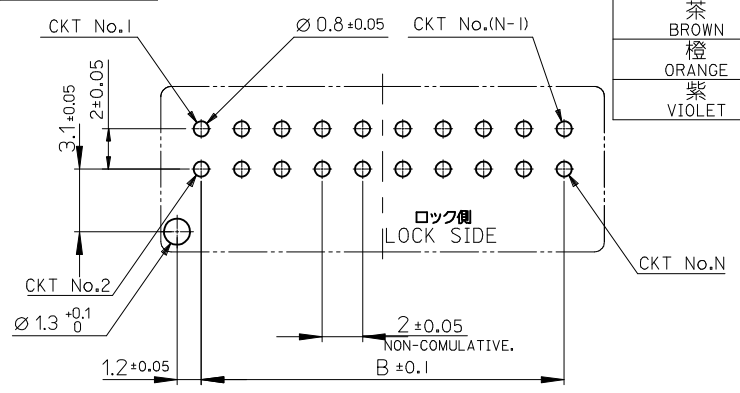
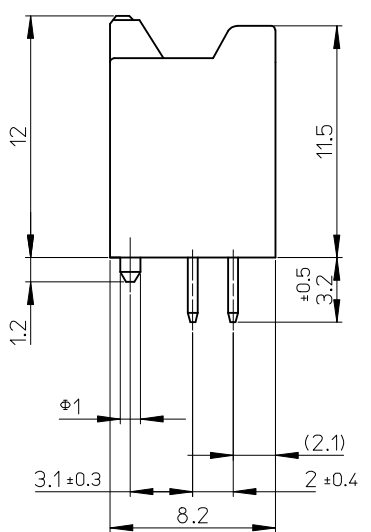
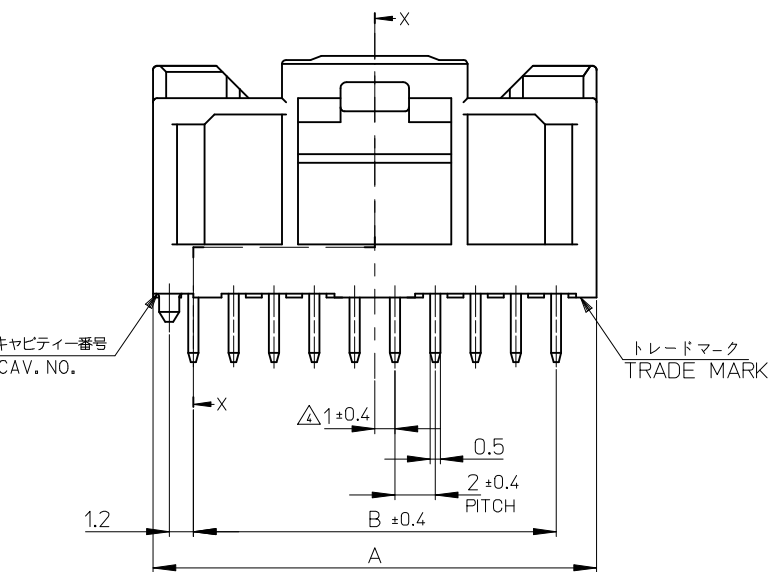
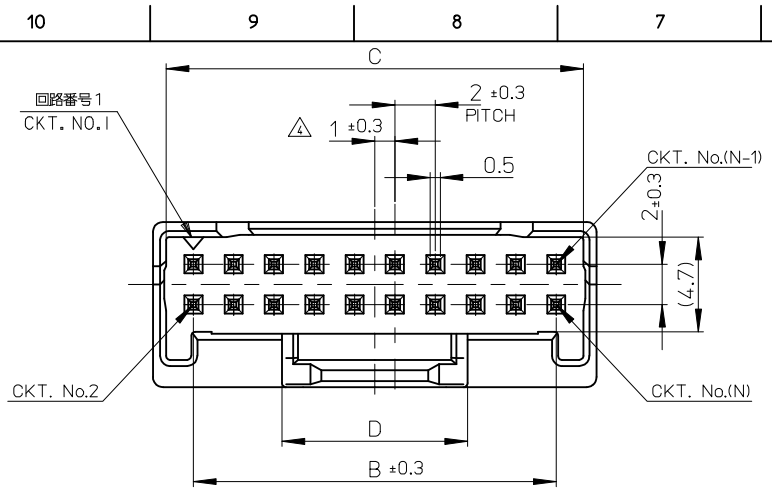
- 材料 MATERIAL
ピン : 黄銅, 銅下地鍍メッキ
PIN : BRASS, REFLOWED TIN OVER COPPER PLATED
ハウジング : 66ナイロン(ガラス入り), UL94V-0
HOUSING : 66NYLON (G.F.), UL94V-0
- 嵌合相手 MATES WITH

| | |
|------------------------|---------------|
| REC. CRIMP HOUSING | 501646 SERIES |
| REC. CRIMP TERMINAL | |
| AWG #22-26 TIN PLATING | 501647 SERIES |
| AWG #26-28 TIN PLATING | 501648 SERIES |

△ 製品番号
MATERIAL NO.
501645-2***
極数 [CIRCUIT SIZE] 色 COLOR

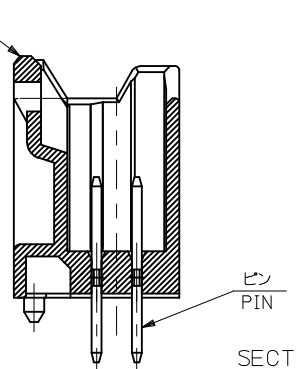
- (全極数/2) = 偶数の場合に適用。
APPLY FOR (CIRCUIT/2)=EVEN
- ELV及びRoHS 適合品
ELV AND ROHS COMPLIANT.

| | |
|------------------|---|
| ナチュラル NATURAL | 0 |
| 黒 BLACK | 1 |
| 赤 RED | 2 |
| 黄 YELLOW | 3 |
| 青 BLUE | 4 |
| 桃 PINK | 5 |
| 緑 GREEN | 6 |
| 茶 BROWN | 7 |
| 橙 ORANGE | 8 |
| 紫 VIOLET | 9 |



基板取付穴推奨寸法 (マウント面)
RECOMMENDED P.C. BOARD
HOLE DIMENSION
(MOUNTING SIDE)
(t=1.2~1.6)

| | | | | | |
|-----|------|----|----|-------------|----|
| 9.2 | 40.7 | 38 | 42 | 501645-402* | 40 |
| 9.2 | 38.7 | 36 | 40 | -382* | 38 |
| 9.2 | 36.7 | 34 | 38 | -362* | 36 |
| 9.2 | 34.7 | 32 | 36 | -342* | 34 |
| 9.2 | 32.7 | 30 | 34 | -322* | 32 |
| 9.2 | 30.7 | 28 | 32 | -302* | 30 |
| 9.2 | 28.7 | 26 | 30 | -282* | 28 |
| 9.2 | 26.7 | 24 | 28 | -262* | 26 |
| 9.2 | 24.7 | 22 | 26 | -242* | 24 |
| 9.2 | 22.7 | 20 | 24 | -222* | 22 |
| 9.2 | 20.7 | 18 | 22 | -202* | 20 |
| 9.2 | 18.7 | 16 | 20 | -182* | 18 |
| 9.2 | 16.7 | 14 | 18 | -162* | 16 |
| 9.2 | 14.7 | 12 | 16 | -142* | 14 |
| 9.2 | 12.7 | 10 | 14 | -122* | 12 |
| 7.3 | 10.7 | 8 | 12 | 501645-102* | 10 |



| | | | | | | | | | | | |
|---|---------------------------------------|-----------|--|-----------------------------|---|--|------------------------|--|------------------------|--|---------------------|
| REVISED EC NO: J2017-0032 DRWN:IDA 2016/07/01 CHKD:SAKIYAMA 2016/07/01 APPR:KANAKO 2016/07/12 | GENERAL TOLERANCES (UNLESS SPECIFIED) | | DIMENSION STYLE MM ONLY | | SCALE 4:1 | | DESIGN UNITS METRIC | | THIRD ANGLE PROJECTION | | |
| | 0.25 UNDER | UNDER | ± 0.03 | DRAWN BY N. ITO | DATE 05/07/04 | TITLE IGRID 2.0MM W/B DUAL DIP PLUG ASSY ST(WITH BOSS) | | | | | |
| | 0.25 OVER | 0.5 UNDER | ± 0.05 | CHECKED BY ASAKAWA | DATE 05/07/04 | | | | | | |
| | 0.5 OVER | 1.0 UNDER | ± 0.1 | APPROVED BY ICHIKAWA | DATE 05/07/04 | | | | | | |
| | 1.0 OVER | 10 UNDER | ± 0.2 | MATERIAL NO. 501645-**2* | DOCUMENT NO. SD-501645-001 | | | | | | SHEET NO. 1 OF 1 |
| 10 OVER | 30 UNDER | ± 0.25 | SIZE A3 | | THIS DRAWING CONTAINS INFORMATION THAT IS PROPRIETARY TO MOLEX ELECTRONIC TECHNOLOGIES, LLC AND SHOULD NOT BE USED WITHOUT WRITTEN PERMISSION | | | | | | |
| 30 OVER | | ± 0.3 | DRAFT WHERE APPLICABLE MUST REMAIN WITHIN DIMENSIONS | | | | | | | | |