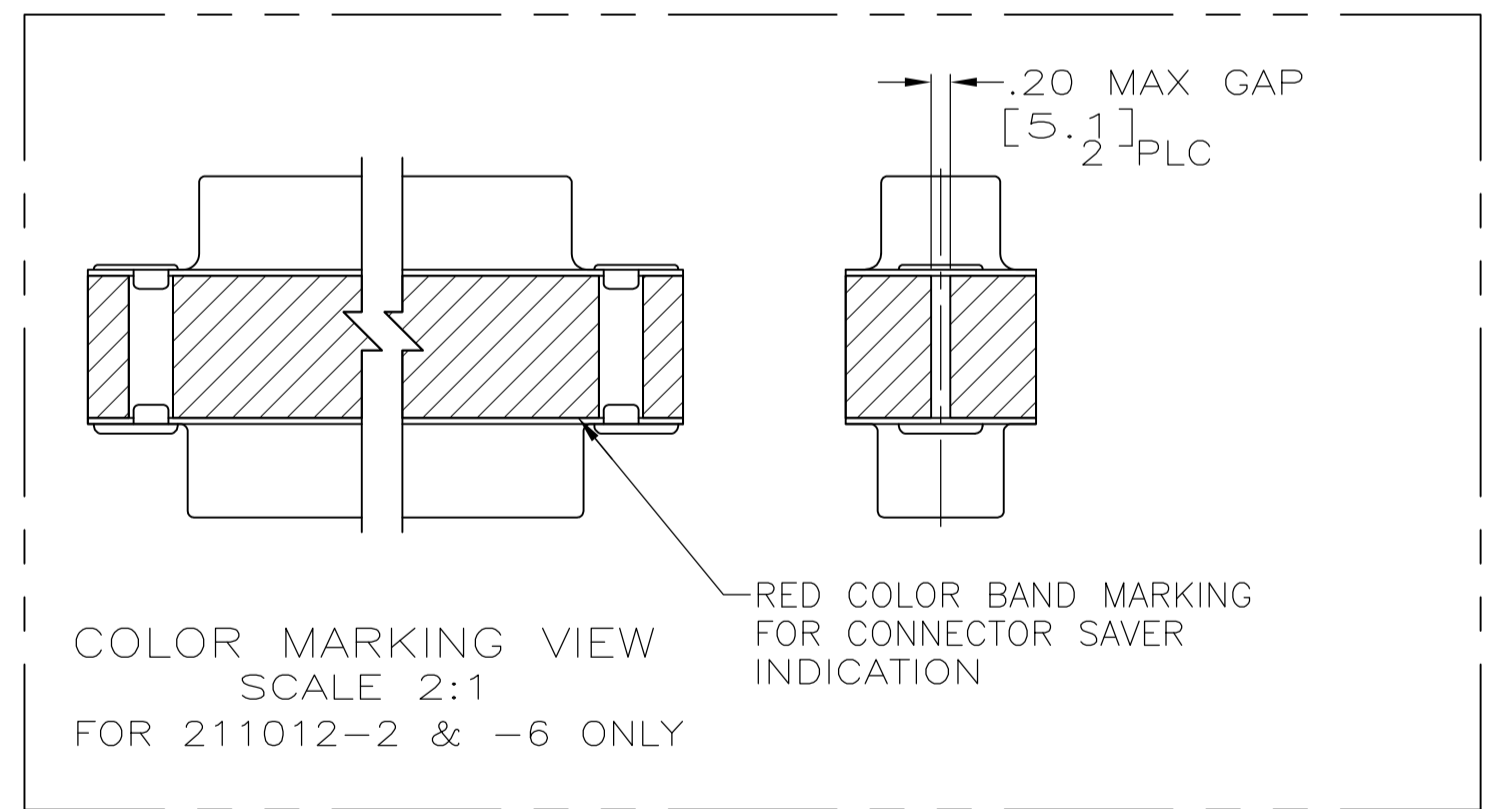
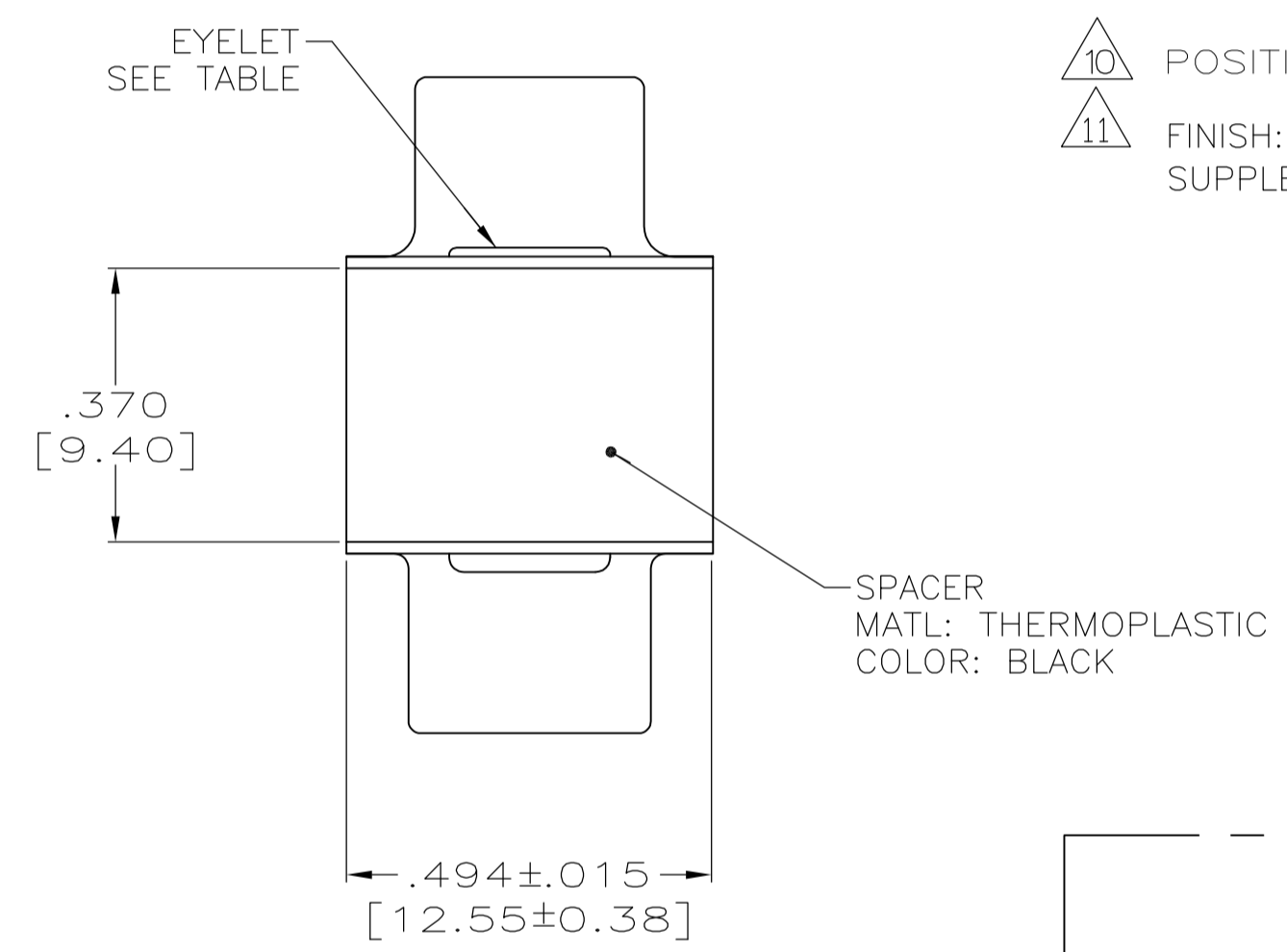
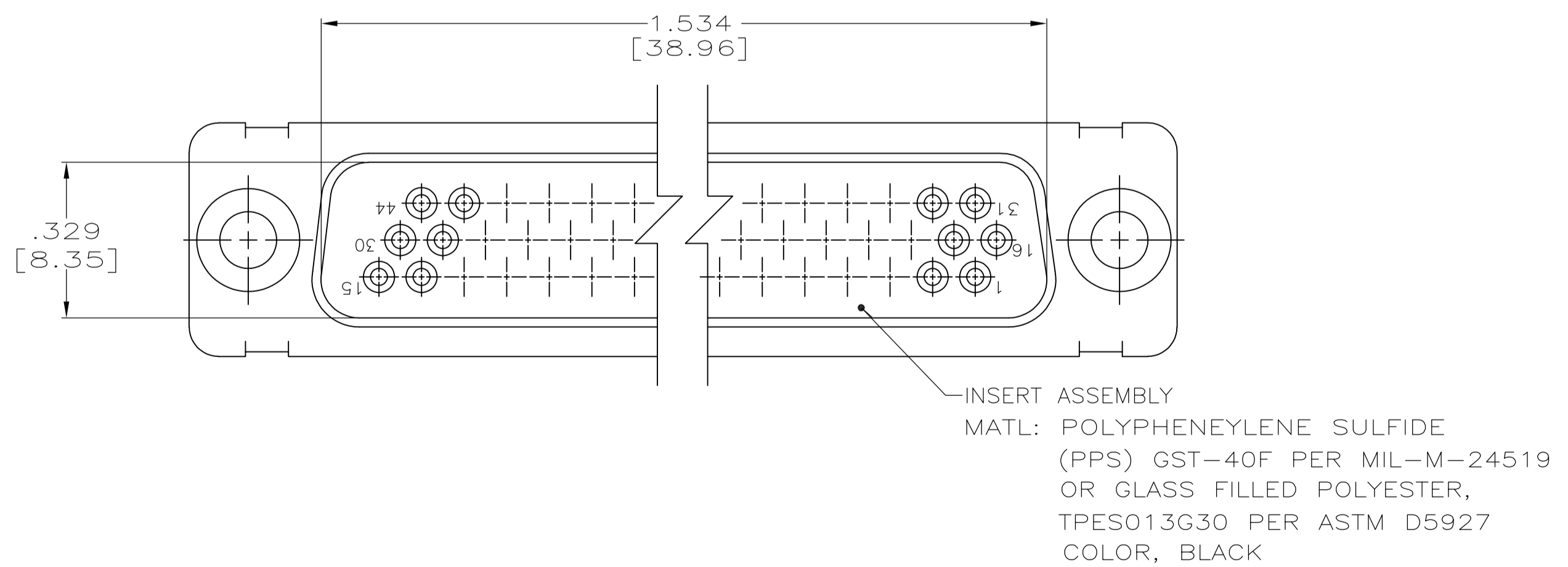
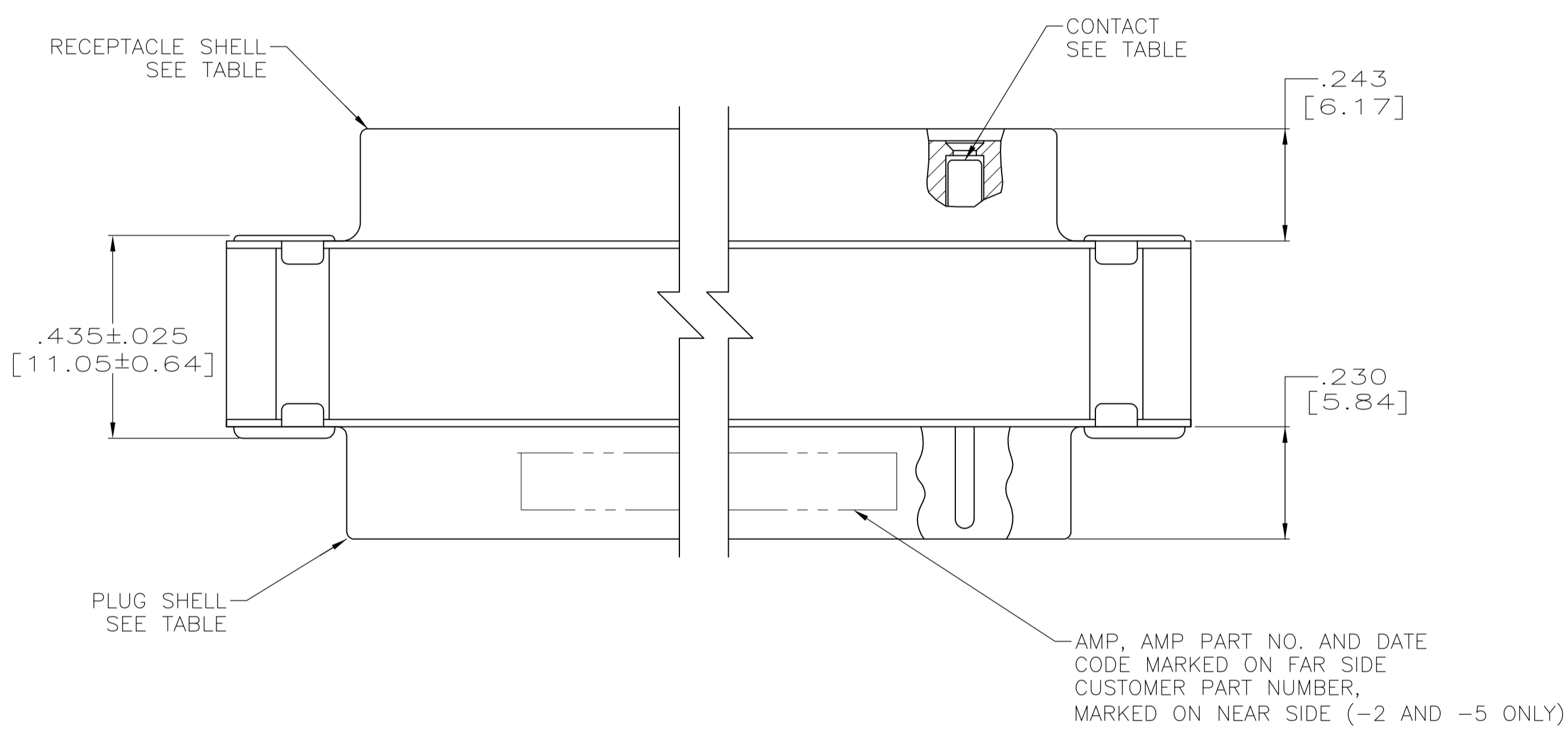
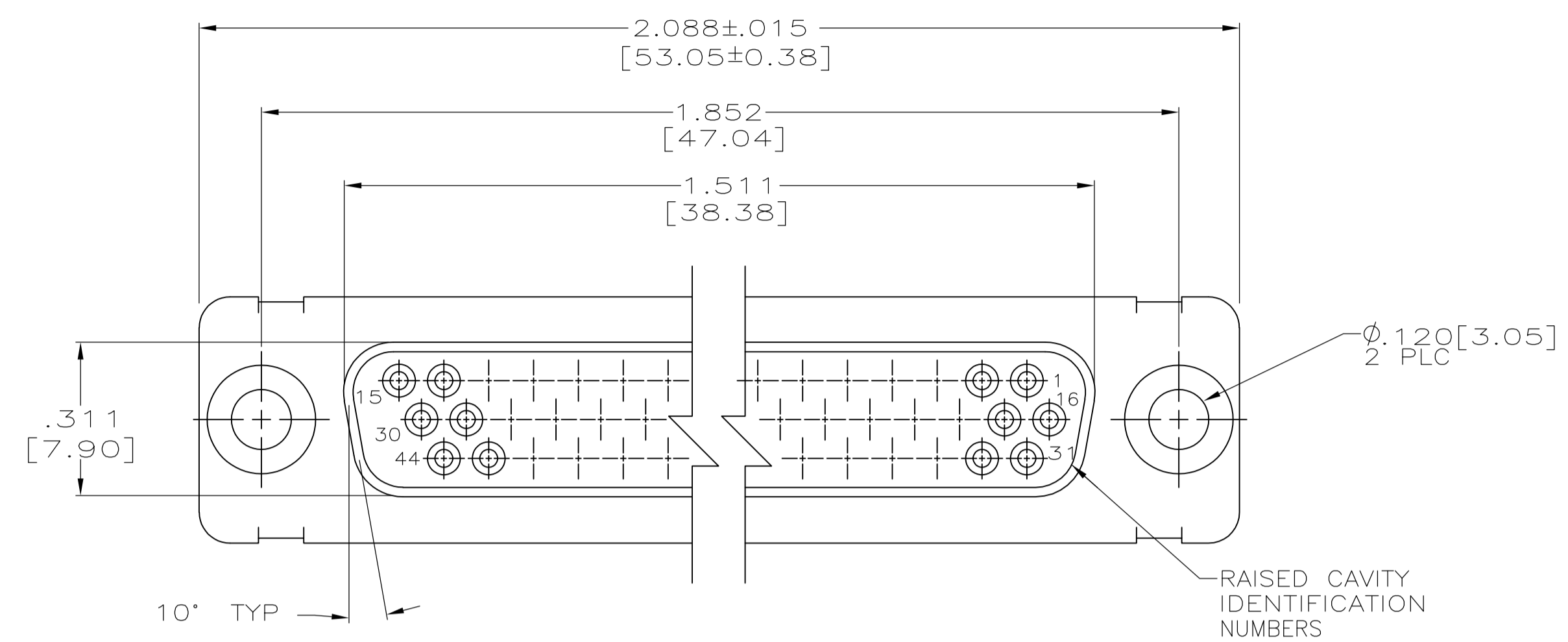


REVISIONS					
P	LTR	DESCRIPTION	DATE	DMN	APVD
AB	REV PER ECO	17-000132	5-5-17	CT	DM



- CONTACTS INCLUDED IN ASSEMBLY.
- MATL: STEEL, PER ASTM-A-109.
- FINISH: CADMIUM PER QQ-P-416.
- MATL: BRASS PER ASTM-B-36.
- FINISH: PLATED ZINC .00020 MIN THK PER ASTM-B-633. YELLOW CHROMATE FINISH.
- CONTACT  
 BODY MAT'L: BERYLLIUM COPPER PER ASTM-B-197.  
 BODY FINISH: PLATED GOLD, .000050 MIN THK PER MIL-G-45204 OVER NICKEL, .000050 MIN THK PER QQ-N-290.  
 HOOD MAT'L: STAINLESS STEEL PER ASTM-A-240.  
 HOOD FINISH: PASSIVATED PER QQ-P-35.
- FINISH: PLATED GOLD, .000050 MIN THK PER MIL-G-45204 OVER COPPER FLASH.
- FINISH: PLATED GOLD, .000050 MIN THK PER MIL-G-45204 OVER COPPER, .000100 MIN THK PER MIL-C-14550.
- CONTACT  
 BODY MAT'L: BERYLLIUM COPPER PER ASTM-B-197.  
 BODY FINISH: PLATED GOLD, .000050 MIN THK PER MIL-G-45204 OVER COPPER, .000100 MIN THK PER MIL-C-14550.
- HOOD MAT'L: COPPER ALLOY PER QQ-B-613.  
 FINISH: PLATED GOLD, .000050 MIN THK PER MIL-G-45204 OVER COPPER, .000100 MIN THK PER MIL-C-14550.
- POSITIONS 37 & 38 DO NOT HAVE A CONTACT OR CLIP LOADED.
- FINISH: PLATED ZINC PER ASTM-B-633 .000200 MIN THK WITH SUPPLEMENTARY CHROMATE (Cr3+).

OBSOLETE

△10	△4 △11	△11	△6	-	5-211012-7
△10	△4 △5	△3	△6	-	211012-7
-	△4 △8	△4	△6	4U884 SOCN R10002677-0108	211012-6
-	△4 △8	△4	△6	2A091-003W-001	211012-5
-	△4 △8	△4	△6	-	211012-4
-	△4 △8	△4	△6	-	211012-3
-	△4 △8	△4	△6	(1J02-108)	211012-2
-	△4 △8	△4	△6	-	211012-1
CONTACT	EYELET	SHELLS	CONTACT	CUSTOMER P/N	PART NO.

THIS DRAWING IS A CONTROLLED DOCUMENT.

DIMENSIONS: INCHES	TOLERANCES UNLESS OTHERWISE SPECIFIED:	0 PLC ± -	1 PLC ± -	2 PLC ± -	3 PLC ± .005 [0.13]	4 PLC ± -	ANGLES ± -				
MATERIAL	FINISH	WEIGHT	0.000000	SIZE	A1	CAGE CODE	00779	DRAWING NO.	211012	RESTRICTED TO	-
CUSTOMER DRAWING		SCALE	4:1	SHEET	1 OF 1	REV	AB				

APPROVED: J. NORTON, 11-17-98  
 NAME: CONNECTOR SAVER, AMPLIMITE 44 POSN, SIZE 3, SERIES 90  
 DATE: 11-3-98  
 C. C. THOMAS  
 DRAWING NO. 11-17-98  
 PRODUCT SPEC  
 APPLICATION SPEC  
 SIZE: A1  
 WEIGHT: 0.000000  
 SCALE: 4:1  
 SHEET: 1 OF 1  
 REV: AB