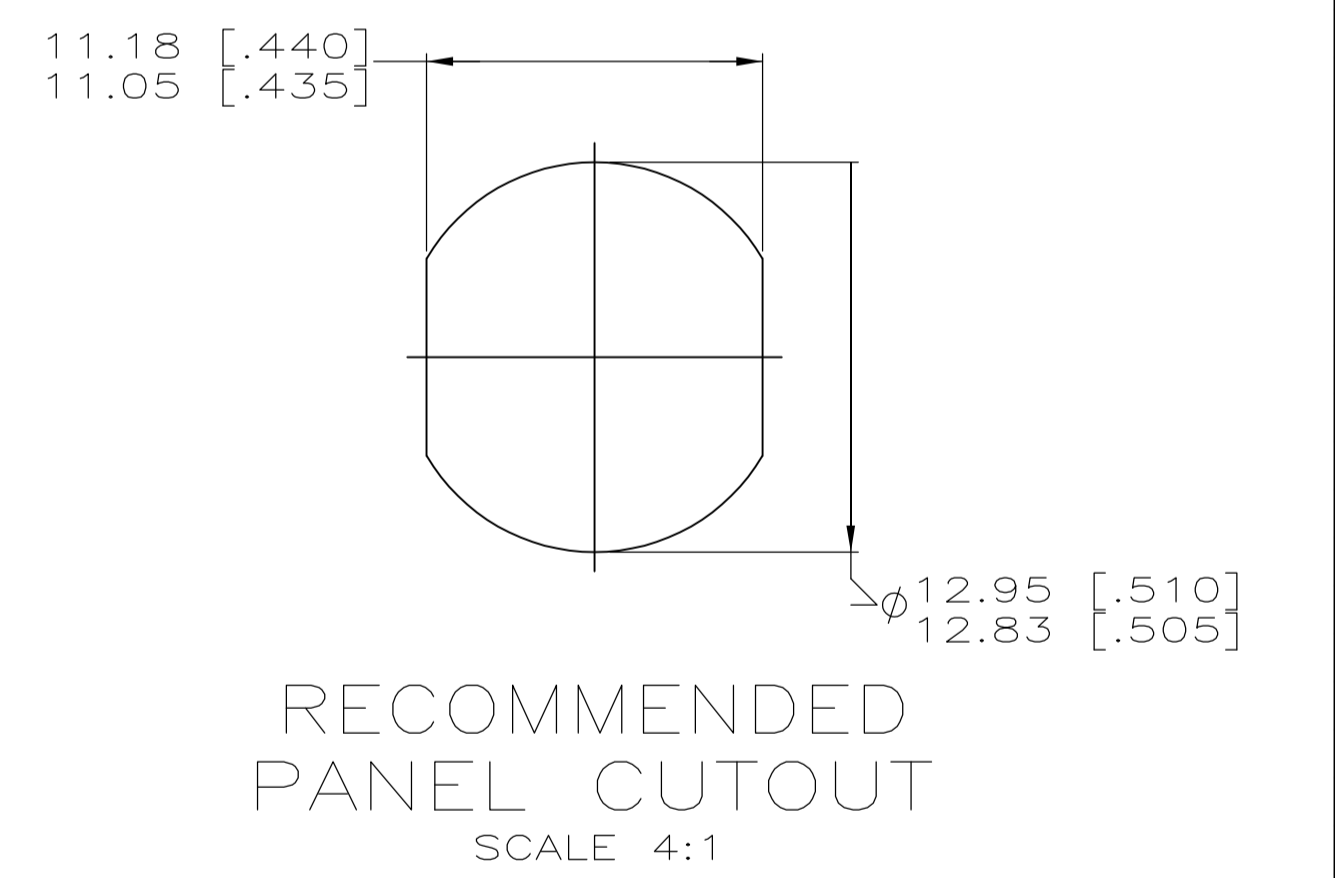
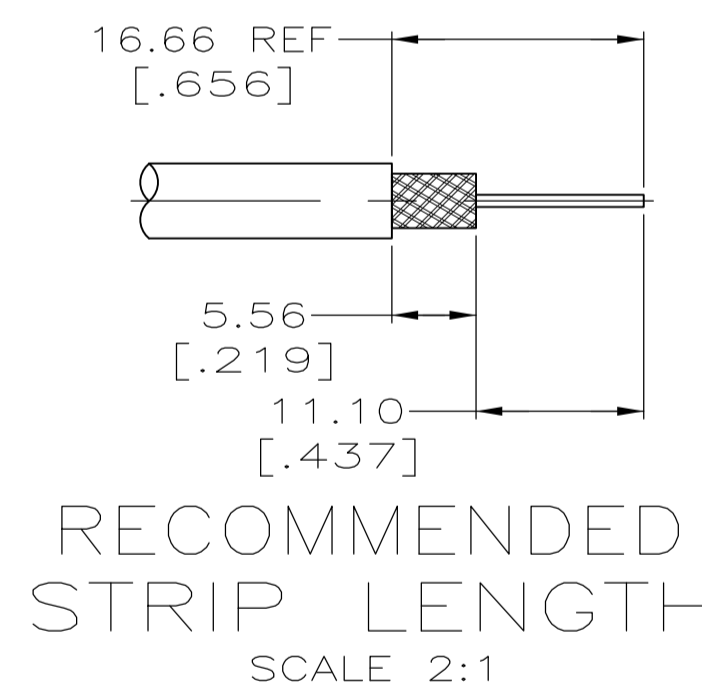
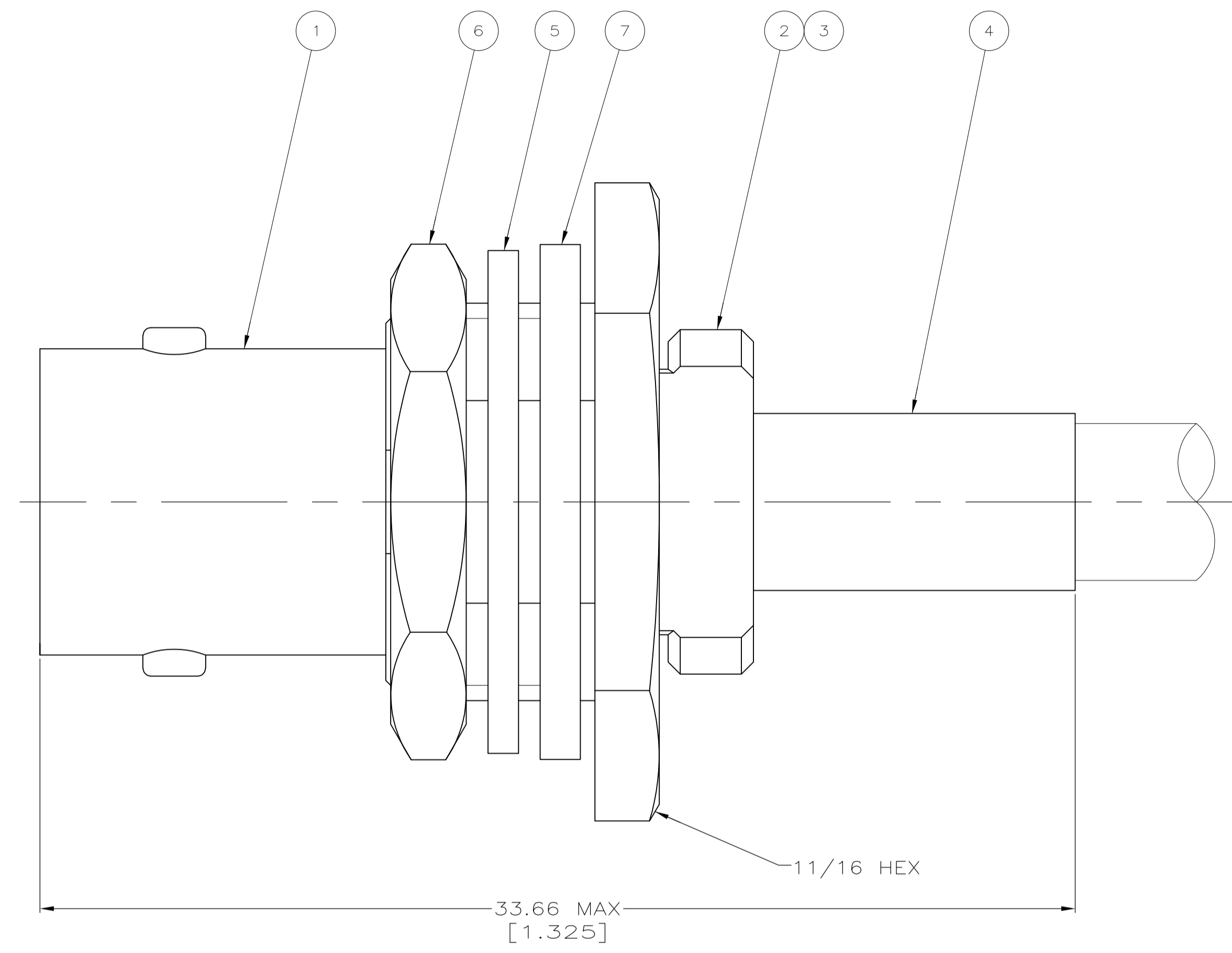


REVISIONS					
P	LTR	DESCRIPTION	DATE	DMN	APVD
S		REV PER ECR-16-003354	09MAR2016	LN	RS

- USE INSTRUCTION SHEET 1799-3
- MAXIMUM PANEL THICKNESS = 3.18 [.125]



OBSOLETE	-	-	-	-	-	-	-	-	-	-	7-329456-2
OBSOLETE	-	-	-	-	-	-	-	-	-	-	7-329456-1
OBSOLETE	-	-	-	-	-	-	-	-	-	-	2-329456-3
OBSOLETE	RG-55/U, 55A/U, 55B/U, 223/U	69140-2	329633	329631	329632	329099	50793-1	2-329106-1	329800	2-329456-2	
	RG-142/U, 142A/U, 142B/U	69331-1									
	RG-58/U, 58A/U, 58B/U, 58C/U	69140-1	329633	9-329631-0	9-329632-0	9-328663-0	50793-1	2-329106-1	9-329800-0	2-329456-1	
SUPERSEDED BY 2-329456-1	-	-	-	-	-	-	-	-	-	329456	
	CABLE	CRIMP TOOL	⑦ GASKET QTY=1	⑥ JAM NUT QTY=1	⑤ LOCK WASHER QTY=1	④ FERRULE QTY=1	③ CRIMP END ASSEMBLY QTY=1	② GASKET QTY=1	① JACK ASSEMBLY BULKHEAD QTY=1	PART NUMBER	

THIS DRAWING IS A CONTROLLED DOCUMENT.

DIMENSIONS:	TOLERANCES UNLESS OTHERWISE SPECIFIED:	DMN	07FEB96
mm	0 PLC ± -	CHK	MICHAEL E. COWHER
	1 PLC ± -	APVD	FRANK P. MORANA
	2 PLC ± 0.41 [.016]	NAME	FRANK P. MORANA
	3 PLC ± -	PRODUCT SPEC	
	4 PLC ± -	APPLICATION SPEC	
	ANGLES ± -	SIZE	CAGE CODE DRAWING NO
MATERIAL	FINISH	WEIGHT	A1 00779 C=329456
		CUSTOMER DRAWING	SCALE 8:1 SHEET 1 OF 1 REV S

STE TE Connectivity
JACK, BULKHEAD, BNC