

MATERIAL NUMBER	OLD PART NUMBER	FINISH LENGTH
1300660255	CR3006A30M005	1.64' [0.5M]
1300660119	CR3006A30M010	3.28' [1.0M]
1300660121	CR3006A30M020	6.56' [2.0M]

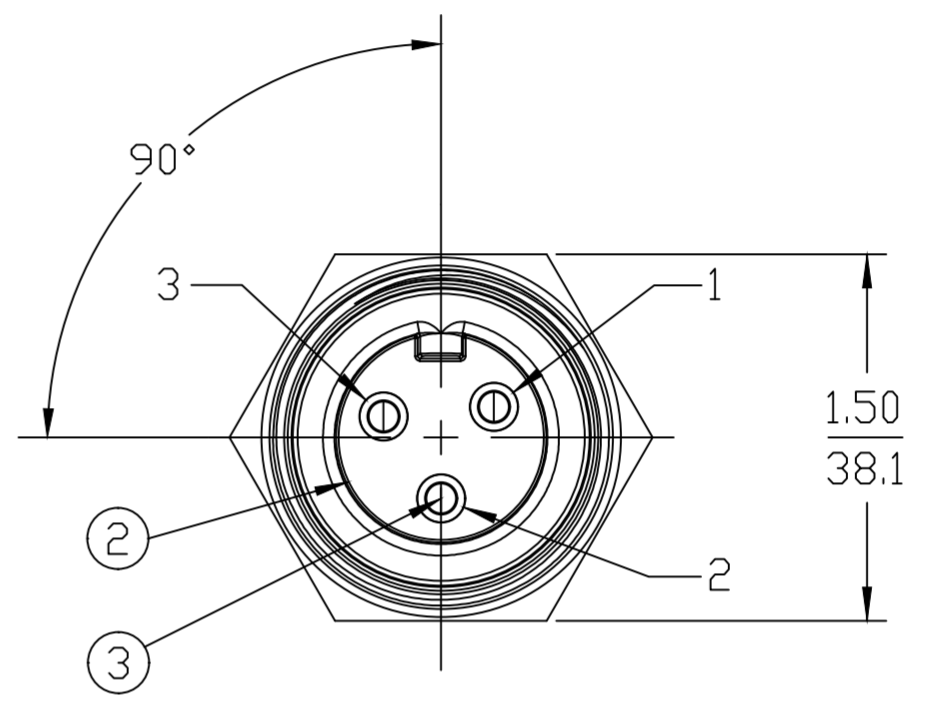
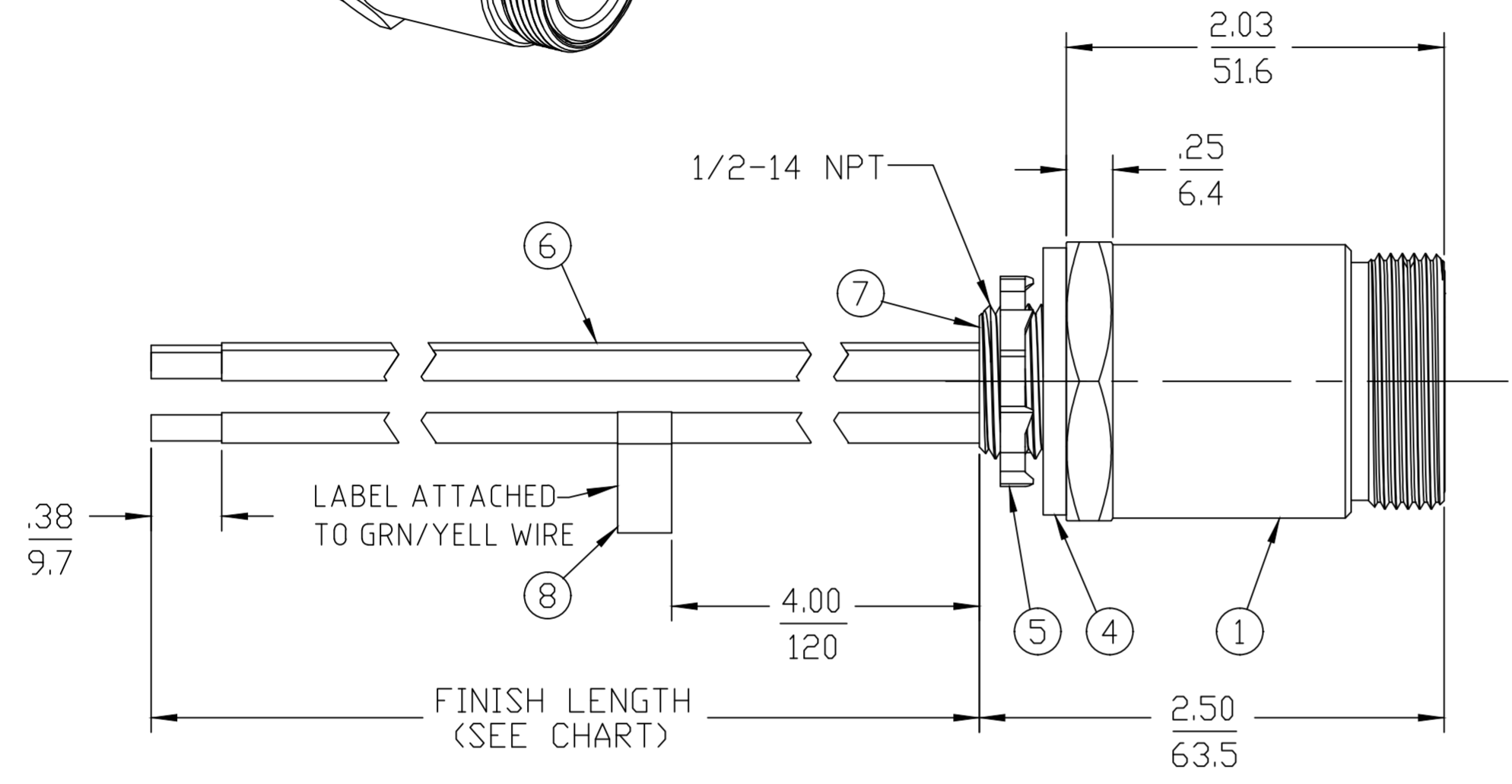
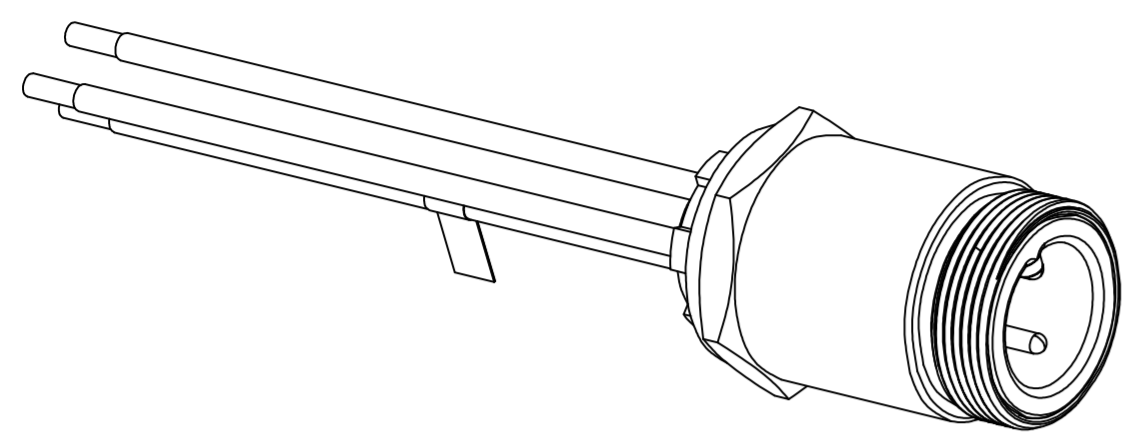
PART NUMBER LEGEND

CR3006A30M005

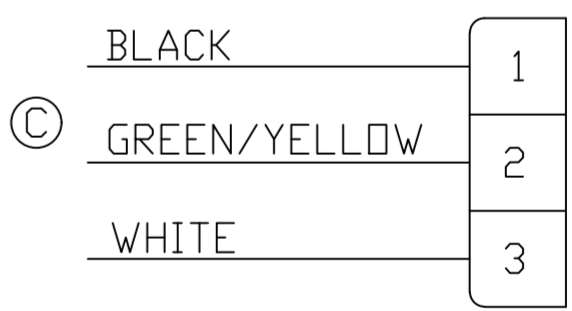
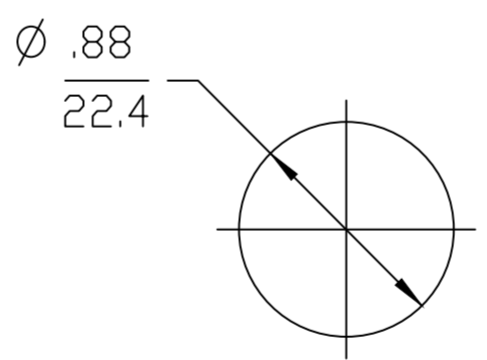
LENGTH
M005 = 0.5 METER
M010 = 1 METER
M100 = 10 METER

CABLE LENGTH TOLERANCES

>.3M [1FT]:	+19mm-0 [+.75in-0]
.3 - .9M [1 - 3FT]:	+44.5mm-0 [+1.75in-0]
.9 - 1.8M [3 - 6FT]:	+55.6mm-0 [+2.19in-0]
1.8 - 3.7M [6 - 12FT]:	+88.9mm-0 [+3.50in-0]
3.7 - 7.3M [12 - 24FT]:	+165.1mm-0 [+6.50in-0]
7.3-14.6M [24 - 48FT]:	+317.5mm-0 [+12.50in-0]
14.6 - 30.5M [48-100FT]:	+622.3mm-0 [+24.50in-0]
OVER 30M [100FT]	+2% OF FINISHED LENGTH



- NOTES:**
1. MATERIAL: AS NOTED
 2. FINISH: AS NOTED
 3. ELECTRICAL:
VOLTAGE: 3P: 630V PER IEC60664
600V PER UL2237
CURRENT: 32A
 4. TEMP RATING: -20°TO +90°C
 5. PROTECTION: IP67 (WHEN MATED)
 6. COUPLING THREAD: 1 3/8-16UN
 7. UL LISTED FILE: E258922
 8. ALL DIMS ARE FOR REFERENCE UNLESS NOTED OR DIMENSIONED OTHERWISE



ITEM	DESCRIPTION	MATERIAL	FINISH
8	FLAG LABEL	VINYL	YELLOW
7	POTTING	EPOXY	BLACK
6	WIRE, 10 AWG UL 1015	PVC JACKET	SEE WIRING DIAGRAM
5	LOCKNUT	STEEL	ZINC PLATED
4	GASKET	NEOPRENE	BLACK
3	PIN CONTACT	COPPER ALLOY	GOLD PLATED
2	MALE INSERT, 3 POLE	TPE (C)	BLACK
1	RECEPTACLE SHELL	ALUMINUM	CLEAR ANODIZED

REF. THIS DRAWING SUPERSEDES CO-CREATE DOC REV. A

SYMBOLS A = 0 E = 0 F = 0 S = 0 V = 0 W = 0 X = 0 Y = 0 Z = 0	THIS DRAWING CONTAINS INFORMATION THAT IS PROPRIETARY TO MOLEX ELECTRONIC TECHNOLOGIES, LLC AND SHOULD NOT BE USED WITHOUT WRITTEN PERMISSION DIMENSION UNITS: INCH/MM SCALE: 1:1	CURRENT REV DESC: GREEN YELLOW WIRE WAS GREEN, UPDATED BORDER EC NO: 626034 DRWN: RSTONE 2019/10/18 CHK'D: MZIELINSKI 2020/01/10 APPR: BWOODMAN 2020/01/21			
	GENERAL TOLERANCES (UNLESS SPECIFIED) 4 PLACES ± ---- ± ---- 3 PLACES ± ---- ± ---- 2 PLACES ± ---- ± ---- 1 PLACE ± ---- ± ---- 0 PLACES ± ---- ± ---- ANGULAR TOL ± ---- ° DRAFT WHERE APPLICABLE MUST REMAIN WITHIN DIMENSIONS	INITIAL REVISION: DRWN: CLYORK 2010/01/19 APPR: DTITUS 2010/01/20	BRAD POWER RECEPTACLE 3 POLE, MALE, 1/2 NPT, SINGLE KEY, 10 AWG		
PRODUCT CUSTOMER DRAWING		DOCUMENT NUMBER: SD-130066-058	DOC TYPE: PSD	DOC PART: 001	REVISION: C
DOCUMENT STATUS: P1 RELEASE DATE: 2020/01/21 20:08:16	MATERIAL NUMBER: 130066 CUSTOMER: GENERAL MARKET	SERIES: C-SIZE SHEET NUMBER: 1 OF 1			