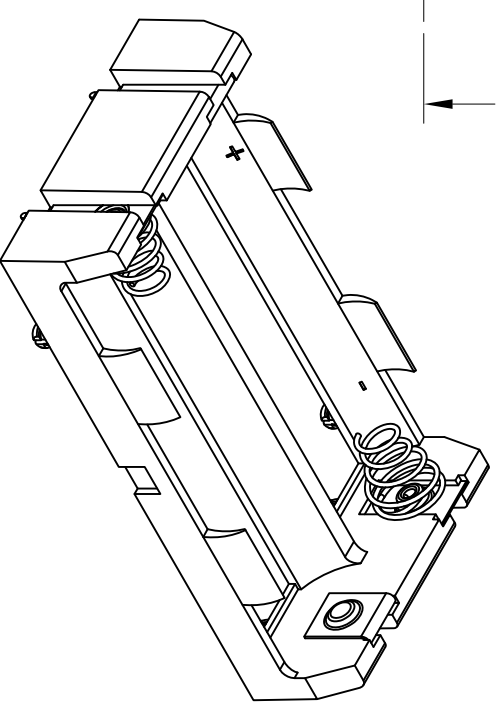
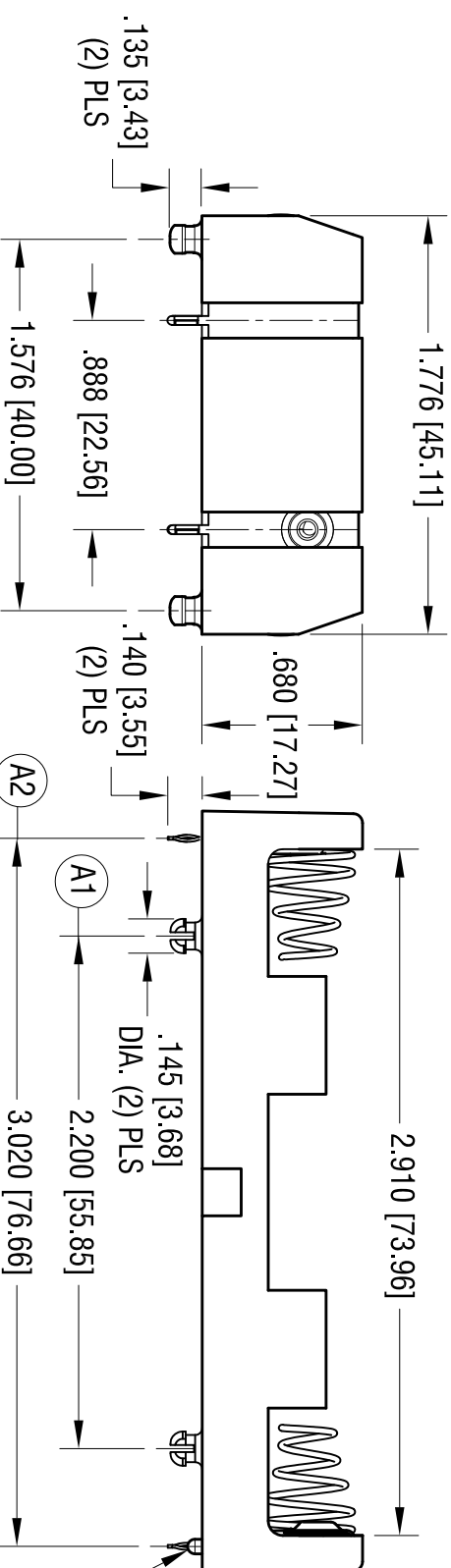
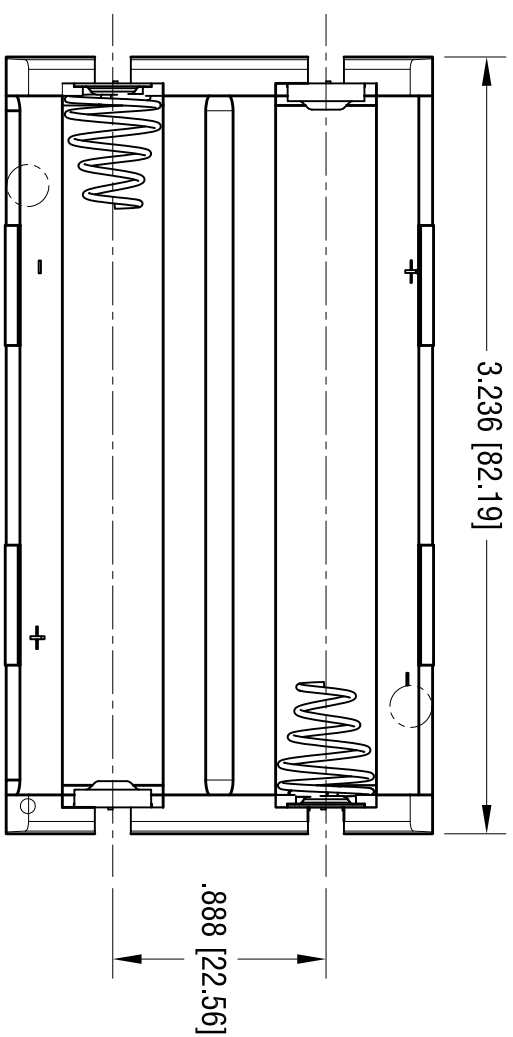
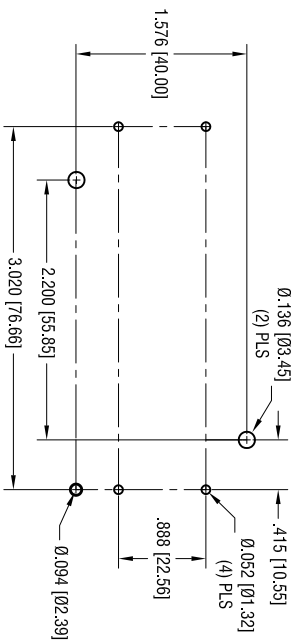


MOUNTING PAD LAYOUT



0.062 [Ø1.57]
x .062 [1.57] L.

DATE	DESCRIPTION	REV.
4.13.20	CHANGE AS PER ECN 20-038	A
	(A1) WAS 2.175 [55.20]	
	(A2) WAS 3.004 [76.30]	

KEYSTONE ELECTRONICS CORP.

www.keystone.com • NEW HYDE PARK, NY 11040 • Tel (516) 328-7500

PART NAME

THM BATTERY HOLDER FOR (2) 20700 & 21700

MATERIAL

AS NOTED

FINISH

AS NOTED

TOLERANCES	INCH	[MM]	CODE	DWG NO.
DECIMAL	± .010	[± .025]	C	1123
ANGULAR	± 1°			

NOTE:

1. BASE:
MATERIAL: HEAT RESISTANT NYLON
STANLYL 46 OR EQUIVALENT
2. CONTACT:
MATERIAL: .012 [0.30] THK STAINLESS STEEL
FINISH: NICKEL PLATE
3. SPRING:
MATERIAL: .027 [0.68] DIA. MUSIC WIRE
FINISH: NICKEL PLATE
4. SUPPLIED ON TRAY (25 PCS PER TRAY)

THIS DOCUMENT IS THE PROPERTY OF KEYSTONE ELECTRONICS CORP. AND SHALL NOT BE REPRODUCED, DISTRIBUTED OR USED AS A BASIS FOR MANUFACTURE WITHOUT PRIOR WRITTEN PERMISSION FROM KEYSTONE ELECTRONICS CORP.

DRN BY	DATE
NT	9.07.18

APP'D	SCALE
RH	1.25X