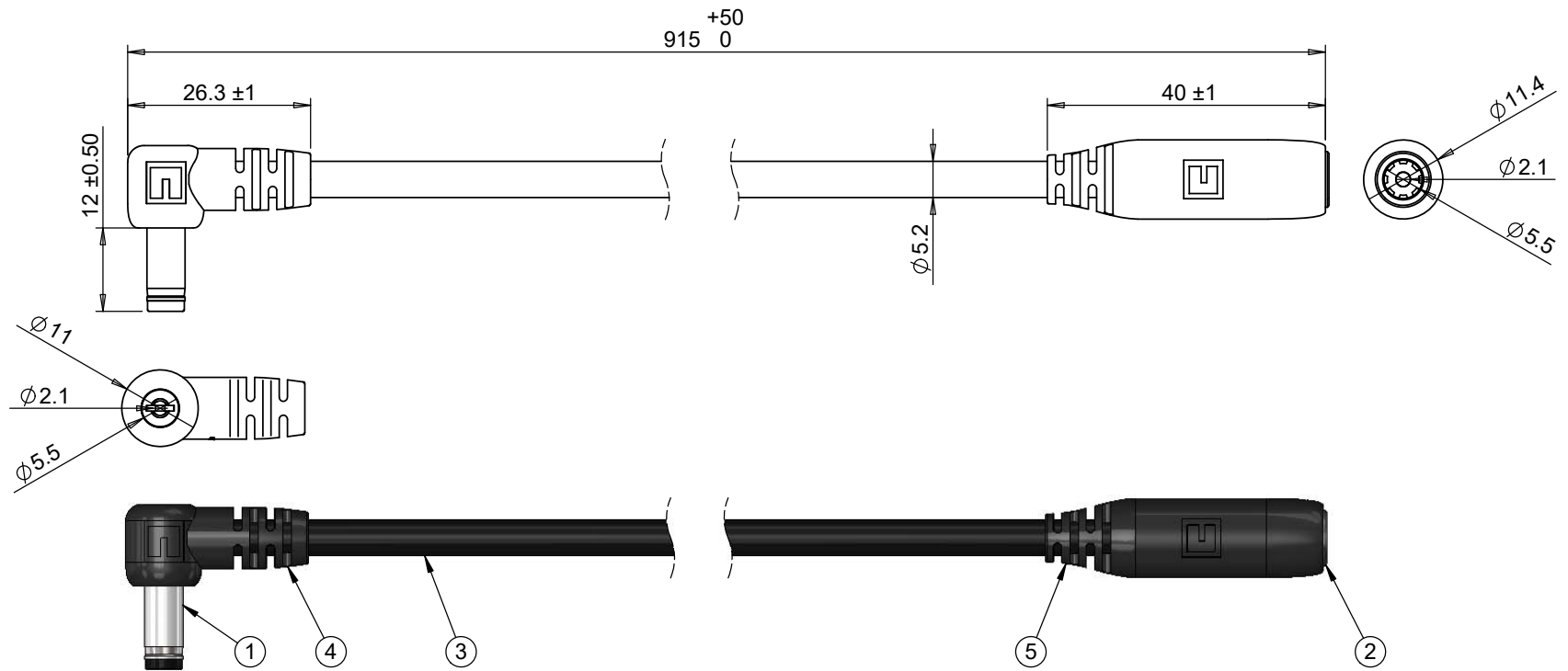


ITEM NO.	PART NUMBER	DESCRIPTION	QTY.	COMPONENT NOTES
1	50-00186	Connector, dc plug, 5.5x2.1xL20.5 mm, molding style, spring contacts	1	
2	50-00025	Connector, dc jack, 5.5x2.1xL17.4 mm, molding style	1	
3	30-00683	Wire, 2C TS, 18 AWG, UL2464, 300V, 80C, 5.2 mm, VW-1, PVC	1	
4	24-00185	Overmold, dc plug, 5.5 mm, 90°, Tensility	1	black
5	24-00183	Overmold, dc jack, 5.5 mm, Tensility	1	black



Notes:
Functionally equivalent components may be substituted

Electrical requirements: 7 A, 12 Vdc

Wiring Diagram		
50-00186	wire color	50-00025
center	red	center
sleeve	black	sleeve

Revision:	Date:	Description:	Prepared:	Notes:	<h1>TENSILITY</h1> <p>tel 1.541.323.3228 800 877.670.7118 fax 1.541.323.4202 web tensility.com</p>
A	9/13/2016	Initial release	DN <small>Digitally signed by DN Date: 2017.01.30 13:56:39 -08'00'</small>	RoHS compliant	
A1	11/04/2016	Modified overmold dimensions	Verified: PS <small>Digitally signed by PS Date: 2017.01.30 15:29:55 -08'00'</small>	Function test: no open, no short circuit, no intermittent	
			Dimensions are in millimeters. Tolerances: X: ± 0.5 mm X.X: ± 0.3 mm X.XX: ± 0.05 mm	Description: Cable, 915 mm, 5.5x2.1x12mm 90° 50-00186 plug to 5.5x2.1mm 50-00025 jack, 18 AWG, 30-00683 wire	
Size:		Part number:		Scale: 1:1	
A		10-02235		Sheet 1 of 1	