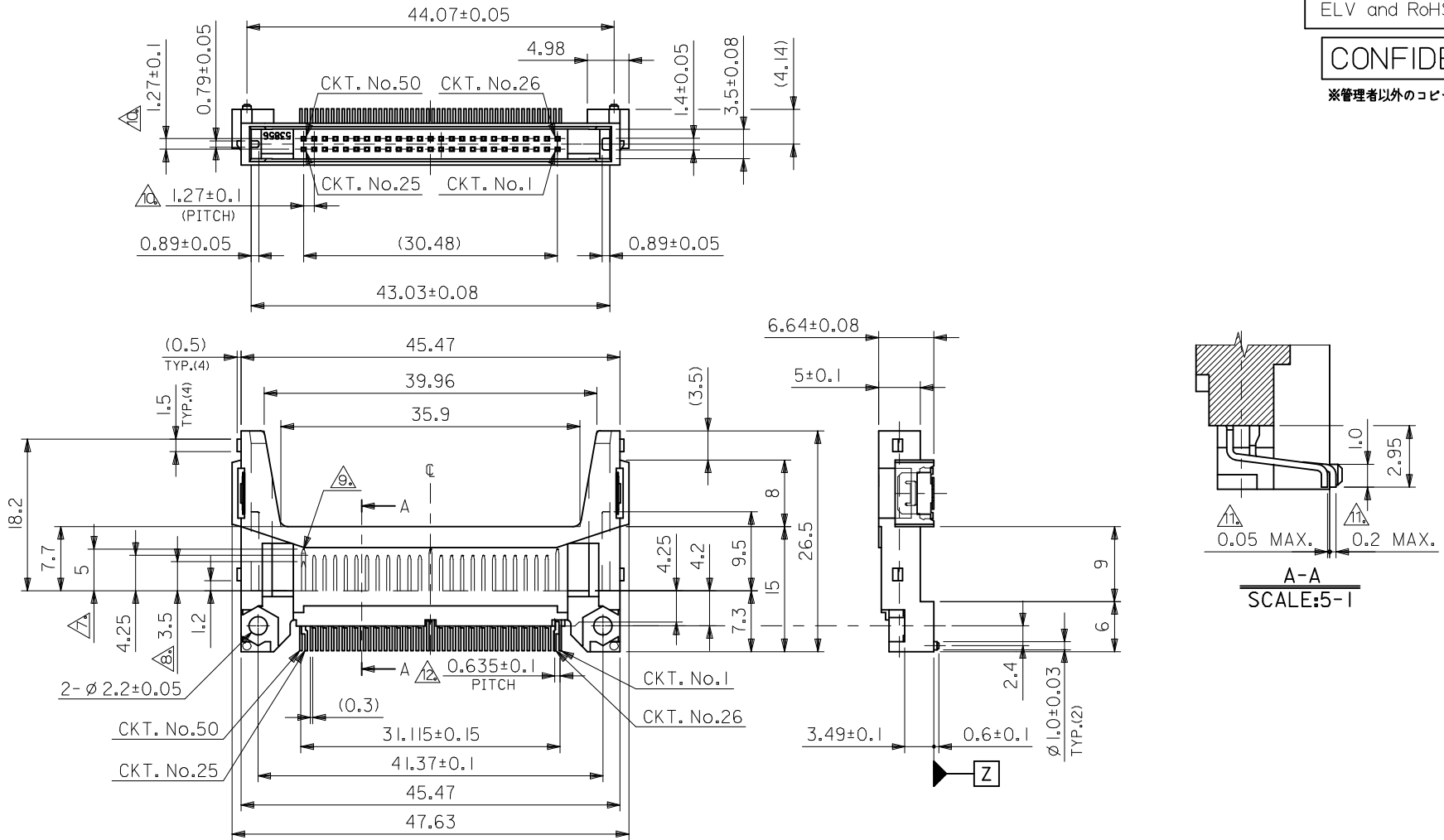


ELV and RoHS Compliant

**CONFIDENTIAL**

※管理者以外のコピー及び配布を禁ずる



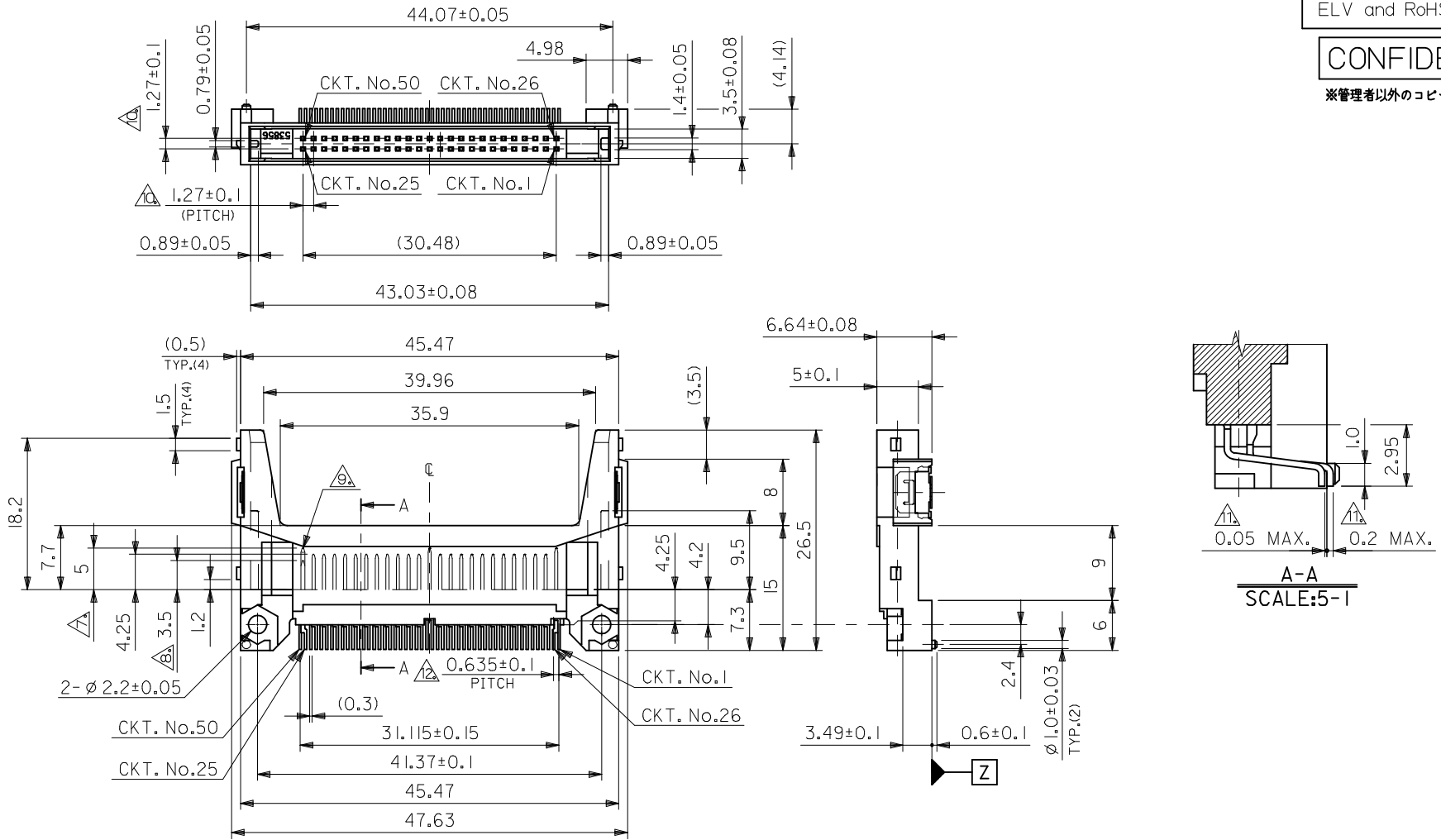
SOFT TRAY PACKAGE	WHITE	53856-5070	50	53856-507*
PACKING TRAY FORM	HOUSING COLOR	MATERIAL No.	No. OF CKT.	MODEL No.

REVISED EC NO: J2017-0575 DRWNGES: 2017/05/19 CHKD: APPR: MSASAO 2017/06/29	GENERAL TOLERANCES (UNLESS SPECIFIED)		DIMENSION STYLE		SCALE	DESIGN UNITS	THIRD ANGLE PROJECTION
	0.25 UNDER ±0.03		MM ONLY		---	METRIC	☉
	0.25 OVER	0.5 UNDER ±0.05	DRAWN BY	DATE	TITLE		
	0.5 OVER	1.0 UNDER ±0.1	M. NABEI	'04/03/16	CF CARD CONN. HEADER ASS'Y -LEAD FREE-		
1.0 OVER	10 UNDER ±0.2	CHECKED BY	DATE	<b>molex</b> DOCUMENT NO. SD-53856-007 SHEET NO. 1 OF 2			
10 OVER	30 UNDER ±0.25	K. TOJO	'04/03/16				
30 OVER ±0.3	ANGULAR ±3 °	APPROVED BY	DATE	SEE CHART			
		M. SASAO	'04/03/16	THIS DRAWING CONTAINS INFORMATION THAT IS PROPRIETARY TO MOLEX ELECTRONIC TECHNOLOGIES, LLC AND SHOULD NOT BE USED WITHOUT WRITTEN PERMISSION			
	DRAFT WHERE APPLICABLE MUST REMAIN WITHIN DIMENSIONS		SIZE				
			A3				

ELV and RoHS Compliant

**CONFIDENTIAL**

※管理者以外のコピー及び配布を禁ずる



A-A  
SCALE:5-1

SOFT TRAY PACKAGE	WHITE	53856-5070	50	53856-507*
PACKING TRAY FORM	HOUSING COLOR	MATERIAL No.	No. OF CKT.	MODEL No.

REVISED EC NO: J2017-0575 DRWNGES: 2017/05/19 CHKD: APPR: MSASAO 2017/06/29	GENERAL TOLERANCES (UNLESS SPECIFIED)		DIMENSION STYLE		SCALE	DESIGN UNITS	THIRD ANGLE PROJECTION
	0.25 UNDER ±0.03		MM ONLY		---	METRIC	☉
	0.25 OVER	0.5 UNDER ±0.05	DRAWN BY	DATE	TITLE		
	0.5 OVER	1.0 UNDER ±0.1	M. NABEI	'04/03/16	CF CARD CONN. HEADER ASS'Y -LEAD FREE-		
1.0 OVER	10 UNDER ±0.2	CHECKED BY	DATE	<b>molex</b> DOCUMENT NO. SD-53856-007 SHEET NO. 1 OF 2			
10 OVER	30 UNDER ±0.25	K. TOJO	'04/03/16				
30 OVER	±0.3	APPROVED BY	DATE	SEE CHART THIS DRAWING CONTAINS INFORMATION THAT IS PROPRIETARY TO MOLEX ELECTRONIC TECHNOLOGIES, LLC AND SHOULD NOT BE USED WITHOUT WRITTEN PERMISSION			
ANGULAR	±3 °	M. SASAO	'04/03/16				
DRAFT WHERE APPLICABLE MUST REMAIN WITHIN DIMENSIONS		SIZE					
		A3					

注) NOTES

- 材質  
MATERIAL  
ハウジング: ガラス入りLCP UL94V-0  
HOUSING: LCP G.F. UL94V-0  
ピン: リン青銅  
PIN: PHOSPHOR BRONZE  
ネール: リン青銅  
NAIL: PHOSPHOR BRONZE
- メッキ仕様  
PLATING  
PIN 接点部: ニッケル下地, パラジウムニッケル, 金メッキ  
CONTACT AREA: PALLADIUM-NICKEL, GOLD OVER NICKEL  
半田付け部: 錫メッキ  
SOLDER TAIL AREA: TIN  
下地メッキ: ニッケルメッキ  
UNDERPLATING: NICKEL OVER ALL  
NAIL 錫メッキ  
TIN  
下地メッキ: ニッケルメッキ  
UNDERPLATING: NICKEL OVER ALL

3. 推奨基板厚:  $t \geq 0.8$  MIN.  
RECOMMENDED P.C.B. THICKNESS:  $t \geq 0.8$  MIN.

4. 適合カード厚  
RECOMMENDED CARD THICKNESS  
接続部:  $3.3 \pm 0.1$   
CONNECTING AREA:  $3.3 \pm 0.1$

5. 適合カード幅:  $42.8 \pm 0.1$   
RECOMMENDED CARD WIDTH:  $42.8 \pm 0.1$

6. ハウジング色:  
HOUSING COLOR:  
53856-5010: 白 (WHITE)  
53856-5010: 黒 (BLACK)

△寸 1,13,38,50  
THIS DIMENSION APPLIES TO CIRCUIT NUMBERS  
1,13,38 AND 50.

△寸 25,26  
THIS DIMENSION APPLIES TO CIRCUIT NUMBERS 25 AND 26.

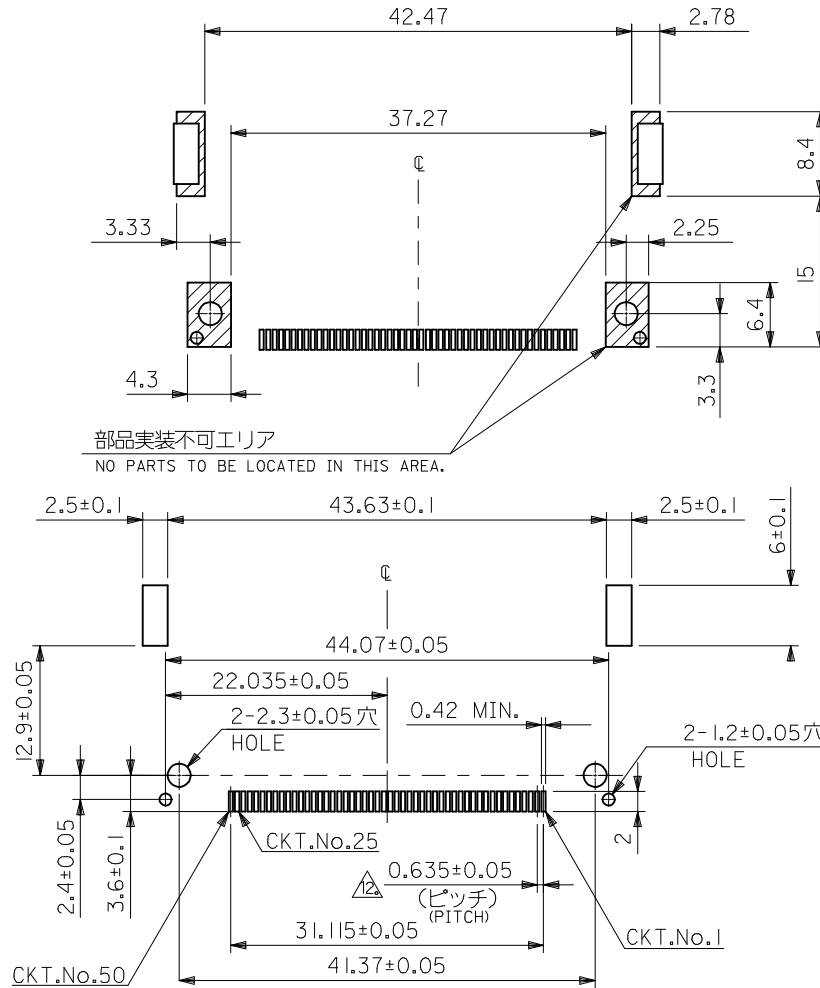
△ピンのはれは、ピン根元を基準に全方向へ0.1 MAX.とする。  
PIN TIP LEAN TOWARD ANY DIRECTION NOT TO EXCEED 0.1  
WHEN MEASURED FROM PIN BASE.

△ピン根元に適用する。  
THIS DIMENSION TO BE MEASURED AT PIN BASE.

△ソルダーテールは、Z面を基準とし上へ0.05下へ0.2の範囲にあり、  
且つソルダーテールの平坦度は、0.15 MAX.とし、テール先端にて測定する。  
SOLDER TAILS TO BE WITHIN 0.05 UPWARD AND 0.2 DOWNWARD FROM Z-DATUM PLACE, AND COPLANARITY  
OF SOLDER TAILS TO BE WITHIN 0.15.  
MEASUREMENT POINT IS SOLDER TAILS TIP.

△公差非累積  
NON-CUMULATIVE

13. 本製品は 53856-501\* の鉛フリー品である。  
THIS PRODUCT IS LEAD FREE OF 53856-501\*.



基板推奨寸法  
RECOMMENDED P.C.B. LAYOUT

REVISED EC NO: J2017-0575 DRWNGES 2017/05/19 CHKD: APPR:MSASAO 2017/06/29	GENERAL TOLERANCES (UNLESS SPECIFIED)		DIMENSION STYLE MM ONLY		SCALE ---	DESIGN UNITS METRIC	THIRD ANGLE PROJECTION
	0.25 UNDER	±0.03	DRAWN BY M. NABEI	DATE '04/03/16	TITLE CF CARD CONN. HEADER ASS'Y -LEAD FREE-		
	0.25 OVER 0.5 UNDER	±0.05	CHECKED BY K. TOJO	DATE '04/03/16	DOCUMENT NO. <b>molex</b> SD-53856-007		
	0.5 OVER 1.0 UNDER	±0.1	APPROVED BY M. SASAO	DATE '04/03/16			
1.0 OVER 10 UNDER	±0.2	MATERIAL NO.		SEE SHEET1			
10 OVER 30 UNDER	±0.25	DRAFT WHERE APPLICABLE MUST REMAIN WITHIN DIMENSIONS		THIS DRAWING CONTAINS INFORMATION THAT IS PROPRIETARY TO MOLEX ELECTRONIC TECHNOLOGIES, LLC AND SHOULD NOT BE USED WITHOUT WRITTEN PERMISSION			
30 OVER	±0.3	SIZE A3					
ANGULAR	±3 °						

注) NOTES

- 材質  
MATERIAL  
ハウジング: ガラス入りLCP UL94V-0  
HOUSING: LCP G.F. UL94V-0  
ピン: リン青銅  
PIN: PHOSPHOR BRONZE  
ネール: リン青銅  
NAIL: PHOSPHOR BRONZE
- メッキ仕様  
PLATING  
PIN 接点部: ニッケル下地, パラジウムニッケル, 金メッキ  
CONTACT AREA: PALLADIUM-NICKEL, GOLD OVER NICKEL  
半田付け部: 錫メッキ  
SOLDER TAIL AREA: TIN  
下地メッキ: ニッケルメッキ  
UNDERPLATING: NICKEL OVER ALL  
NAIL 錫メッキ  
TIN  
下地メッキ: ニッケルメッキ  
UNDERPLATING: NICKEL OVER ALL

- 推奨基板厚:  $t \geq 0.8$  MIN.  
RECOMMENDED P.C.B. THICKNESS:  $t \geq 0.8$  MIN.
- 適合カード厚  
RECOMMENDED CARD THICKNESS  
接続部:  $3.3 \pm 0.1$   
CONNECTING AREA:  $3.3 \pm 0.1$
- 適合カード幅:  $42.8 \pm 0.1$   
RECOMMENDED CARD WIDTH:  $42.8 \pm 0.1$
- ハウジング色:  
HOUSING COLOR:  
53856-5010: 白 (WHITE)  
53856-5010: 黒 (BLACK)

△寸 1,13,38,50  
THIS DIMENSION APPLIES TO CIRCUIT NUMBERS 1,13,38 AND 50.

△寸 25,26  
THIS DIMENSION APPLIES TO CIRCUIT NUMBERS 25 AND 26.

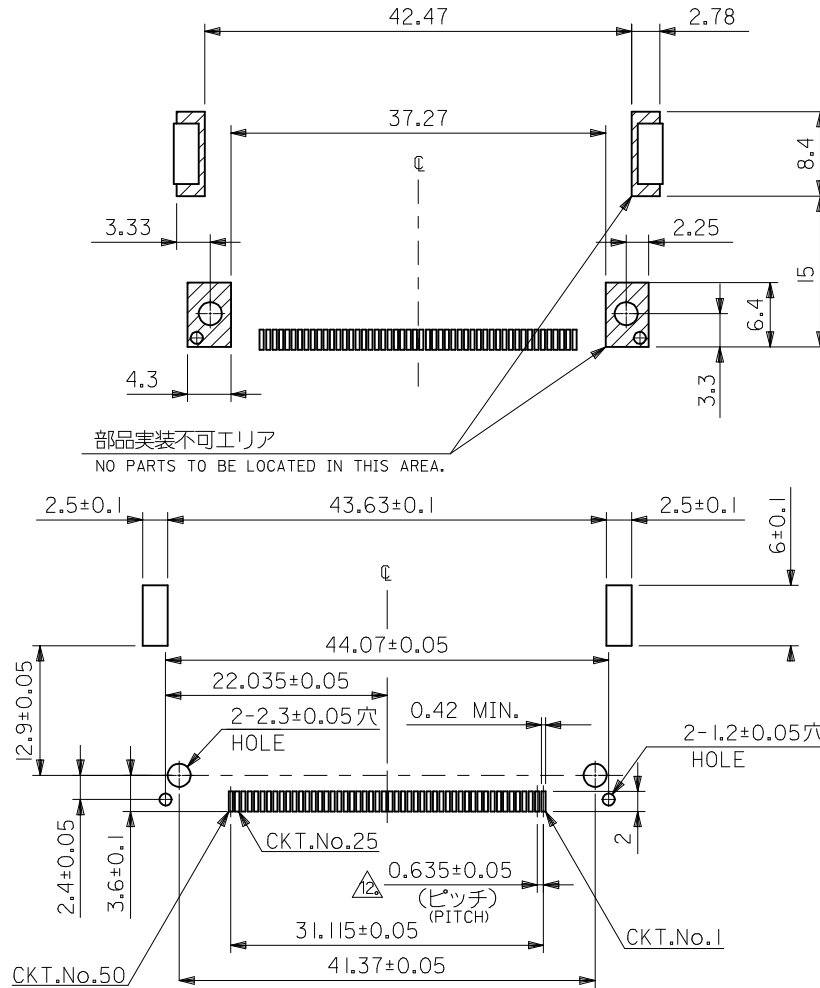
△ピンのはれは、ピン根元を基準に全方向へ0.1 MAX.とする。  
PIN TIP LEAN TOWARD ANY DIRECTION NOT TO EXCEED 0.1 WHEN MEASURED FROM PIN BASE.

△ピン根元に適用する。  
THIS DIMENSION TO BE MEASURED AT PIN BASE.

△ソルダータールは、Z面を基準とし上へ0.05下へ0.2の範囲にあり、目付ソルダータールの平坦度は、0.15 MAX.とし、テール先端にて測定する。  
SOLDERTAILS TO BE WITHIN 0.05 UPWARD AND 0.2 DOWNWARD FROM Z-DATUM PLACE, AND COPLANARITY OF SOLDERTAILS TO BE WITHIN 0.15. MEASUREMENT POINT IS SOLDERTAILS TIP.

△公差非累積  
NON-CUMULATIVE

13. 本製品は 53856-501\* の鉛フリー品である。  
THIS PRODUCT IS LEAD FREE OF 53856-501\*.



基板推奨寸法  
RECOMMENDED P.C.B. LAYOUT

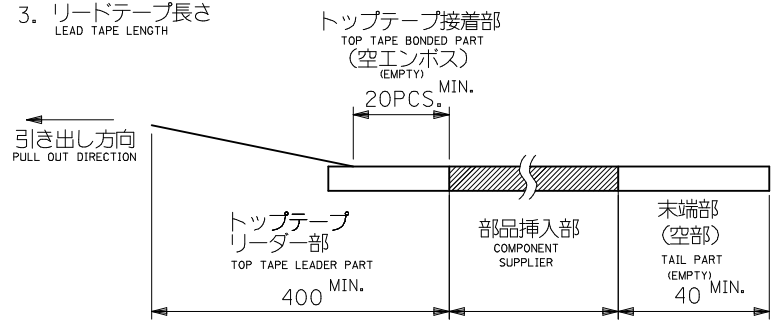
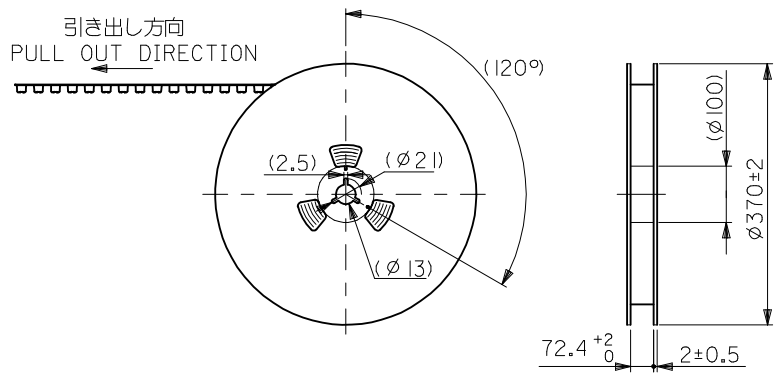
REVISED EC NO: J2017-0575 DRAWINGS 2017/05/19 CHKD: APPR:MSASAO 2017/06/29	GENERAL TOLERANCES (UNLESS SPECIFIED)		DIMENSION STYLE MM ONLY		SCALE ---	DESIGN UNITS METRIC	THIRD ANGLE PROJECTION
	0.25 UNDER	±0.03	DRAWN BY M.NABEI	DATE '04/03/16	TITLE CF CARD CONN. HEADER ASS'Y -LEAD FREE-		
0.25 OVER	0.5 UNDER	±0.05	CHECKED BY K.TOJO	DATE '04/03/16	DOCUMENT NO. <b>molex</b> SD-53856-007		
0.5 OVER	1.0 UNDER	±0.1	APPROVED BY M.SASAO	DATE '04/03/16			
1.0 OVER	10 UNDER	±0.2	MATERIAL NO.		SHEET NO. 2 OF 2		
10 OVER	30 UNDER	±0.25	SEE SHEET1		THIS DRAWING CONTAINS INFORMATION THAT IS PROPRIETARY TO MOLEX ELECTRONIC TECHNOLOGIES, LLC AND SHOULD NOT BE USED WITHOUT WRITTEN PERMISSION		
30 OVER	±0.3	DRAFT WHERE APPLICABLE MUST REMAIN WITHIN DIMENSIONS		SIZE A3			

**CONFIDENTIAL**

※管理者以外のコピー及び配布を禁ずる

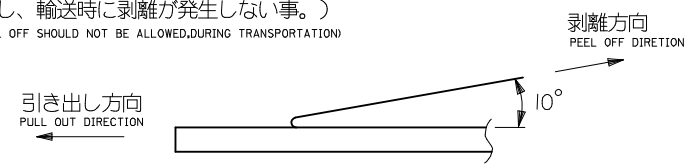
注)  
NOTES

- 製品番号 53856-5070/53856-5071 の詳細寸法については、SD-53856-007 を参照下さい。  
IN THE PACKAGE , PART NO. 53856-5070/53856-5071 DETAILED DIMENSIONS , SEE SD-53856-007
- 梱包数量 : 280個/リール  
NUMBER OF CONNECTORS : 280 PCS/REEL
- リードテープ長さ  
LEAD TAPE LENGTH



- トップテープの剥離強度 : (剥離方向は下図参照)  
PEELING OFF FORCE OF TOP TAPE (PEELING DIRECTION AS SHOWN IN FOLLOWING FIG.)  
0.1~1.3N {10~130gf} : キャリアテープ幅72mm  
CARRIER TAPE WIDTH 72mm

尚、本規格値は、出荷時に適用。  
THIS REQUIREMENT SHOULD BE APPLIED AT SHIPMENT  
(但し、輸送時に剥離が発生しない事。)  
(PEEL OFF SHOULD NOT BE ALLOWED, DURING TRANSPORTATION)



- 材料  
MATERIAL  
キャリアテープ : ポリプロピレン (PP)  
CARRIER TAPE : POLYPROPYLENE (PP)  
トップテープ : PET, PE, PEF  
TOP TAPE : PET, PE, PEF  
リール : 紙  
REEL : CARD BOARD
- 本製品は 53856-501\* の鉛フリー品である。  
THIS PRODUCT IS LEAD FREE OF 53856-501\*

BLACK	53856-5071	53856-5079
WHITE	53856-5070	53856-5078
HOUSING COLOR	PART No.	MATERIAL No.
	53856-507*	MODEL No.

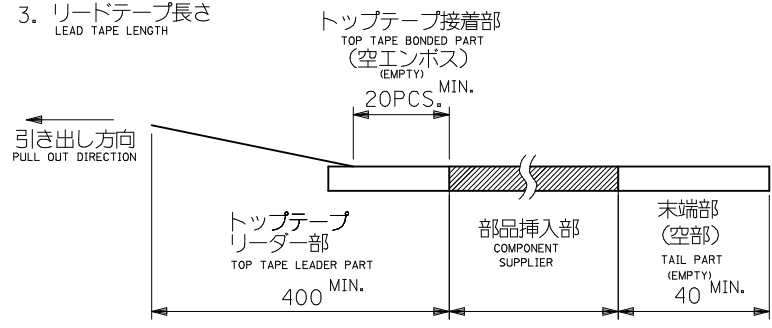
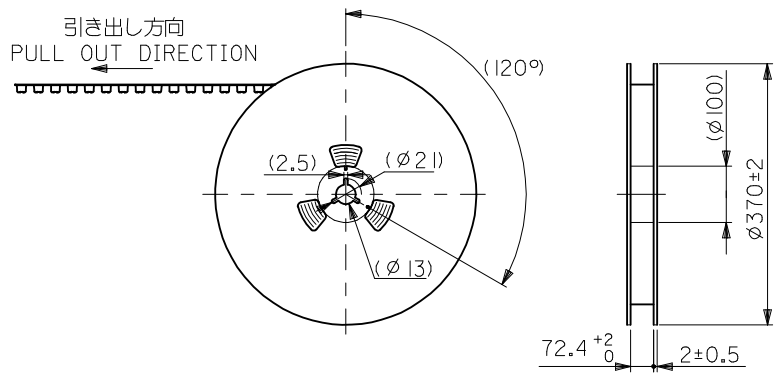
REVISED EC NO: J2015-1214 DRW:RWATANABE01 2015/03/11 CHKD:AMIZUMURA 2015/03/18 APPR:MYAGI 2015/03/23	DESCRIPTION A	GENERAL TOLERANCES (UNLESS SPECIFIED)			DIMENSION STYLE MM ONLY		SCALE ---	DESIGN UNITS METRIC	THIRD ANGLE PROJECTION
		0.25 UNDER	UNDER	±0.03	DRAWN BY M. NABE I	DATE '04/03/16	TITLE 53856-5070/5071 TAPING PACKAGE -LEAD FREE-		
		0.25 OVER	0.5 UNDER	±0.05	CHECKED BY K. TOJO	DATE '04/03/16	molex		
		0.5 OVER	1.0 UNDER	±0.1	APPROVED BY M. SASAO	DATE '04/03/16			
		1.0 OVER	10 UNDER	±0.2	MATERIAL NO.	DOCUMENT NO.	SHEET NO.		
10 OVER	30 UNDER	±0.25	SEE CHART	SD-53856-008	1 OF 2				
30 OVER		±0.3	THIS DRAWING CONTAINS INFORMATION THAT IS PROPRIETARY TO MOLEX INCORPORATED AND SHOULD NOT BE USED WITHOUT WRITTEN PERMISSION						
ANGULAR	±3 °								
DRAFT WHERE APPLICABLE MUST REMAIN WITHIN DIMENSIONS			SIZE A3						

**CONFIDENTIAL**

※管理者以外のコピー及び配布を禁ずる

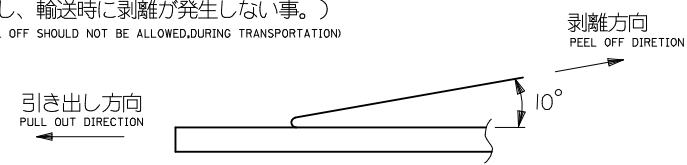
注)  
NOTES

- 製品番号 53856-5070/53856-5071 の詳細寸法については、SD-53856-007 を参照下さい。  
IN THE PACKAGE , PART NO. 53856-5070/53856-5071 DETAILED DIMENSIONS , SEE SD-53856-007
- 梱包数量 : 280個/リール  
NUMBER OF CONNECTORS : 280 PCS/REEL
- リードテープ長さ  
LEAD TAPE LENGTH



- トップテープの剥離強度 : (剥離方向は下図参照)  
PEELING OFF FORCE OF TOP TAPE (PEELING DIRECTION AS SHOWN IN FOLLOWING FIG.)  
0.1~1.3N {10~130gf} : キャリアテープ幅 7.2mm  
CARRIER TAPE WIDTH 7.2mm

尚、本規格値は、出荷時に適用。  
THIS REQUIREMENT SHOULD BE APPLIED AT SHIPMENT  
(但し、輸送時に剥離が発生しない事。)  
(PEEL OFF SHOULD NOT BE ALLOWED, DURING TRANSPORTATION)



- 材料  
MATERIAL  
キャリアテープ : ポリプロピレン (PP)  
CARRIER TAPE : POLYPROPYLENE (PP)  
トップテープ : PET, PE, PEF  
TOP TAPE : PET, PE, PEF  
リール : 紙  
REEL : CARD BOARD
- 本製品は 53856-501\* の鉛フリー品である。  
THIS PRODUCT IS LEAD FREE OF 53856-501\*

BLACK	53856-5071	53856-5079
WHITE	53856-5070	53856-5078
HOUSING COLOR	PART No.	MATERIAL No.
	53856-507*	MODEL No.

REVISED EC NO: J2015-1214 DRW:RWATANABE01 2015/03/11 CHKD:MIYAZUMURA 2015/03/18 APPR:MYAGI 2015/03/23	GENERAL TOLERANCES (UNLESS SPECIFIED)			DIMENSION STYLE MM ONLY		SCALE ---	DESIGN UNITS METRIC	THIRD ANGLE PROJECTION
	0.25 UNDER	UNDER	±0.03	DRAWN BY M. NABE I	DATE '04/03/16	TITLE 53856-5070/5071 TAPING PACKAGE -LEAD FREE-		
	0.25 OVER	0.5 UNDER	±0.05	CHECKED BY K. TOJO	DATE '04/03/16	molex		
	0.5 OVER	1.0 UNDER	±0.1	APPROVED BY M. SASAO	DATE '04/03/16			
1.0 OVER	10 UNDER	±0.2	MATERIAL NO.		DOCUMENT NO.	SHEET NO.		
10 OVER	30 UNDER	±0.25	SEE CHART		SD-53856-008	1 OF 2		
30 OVER		±0.3	THIS DRAWING CONTAINS INFORMATION THAT IS PROPRIETARY TO MOLEX INCORPORATED AND SHOULD NOT BE USED WITHOUT WRITTEN PERMISSION					
ANGULAR ±3 °	DRAFT WHERE APPLICABLE MUST REMAIN WITHIN DIMENSIONS			SIZE A3				

**CONFIDENTIAL**

※管理者以外のコピー及び配布を禁ずる

10 9 8 7 6 5 4 3 2 1

F

E

D

C

B

A

F

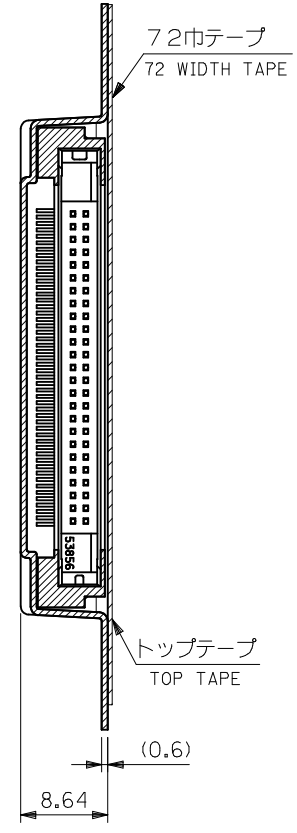
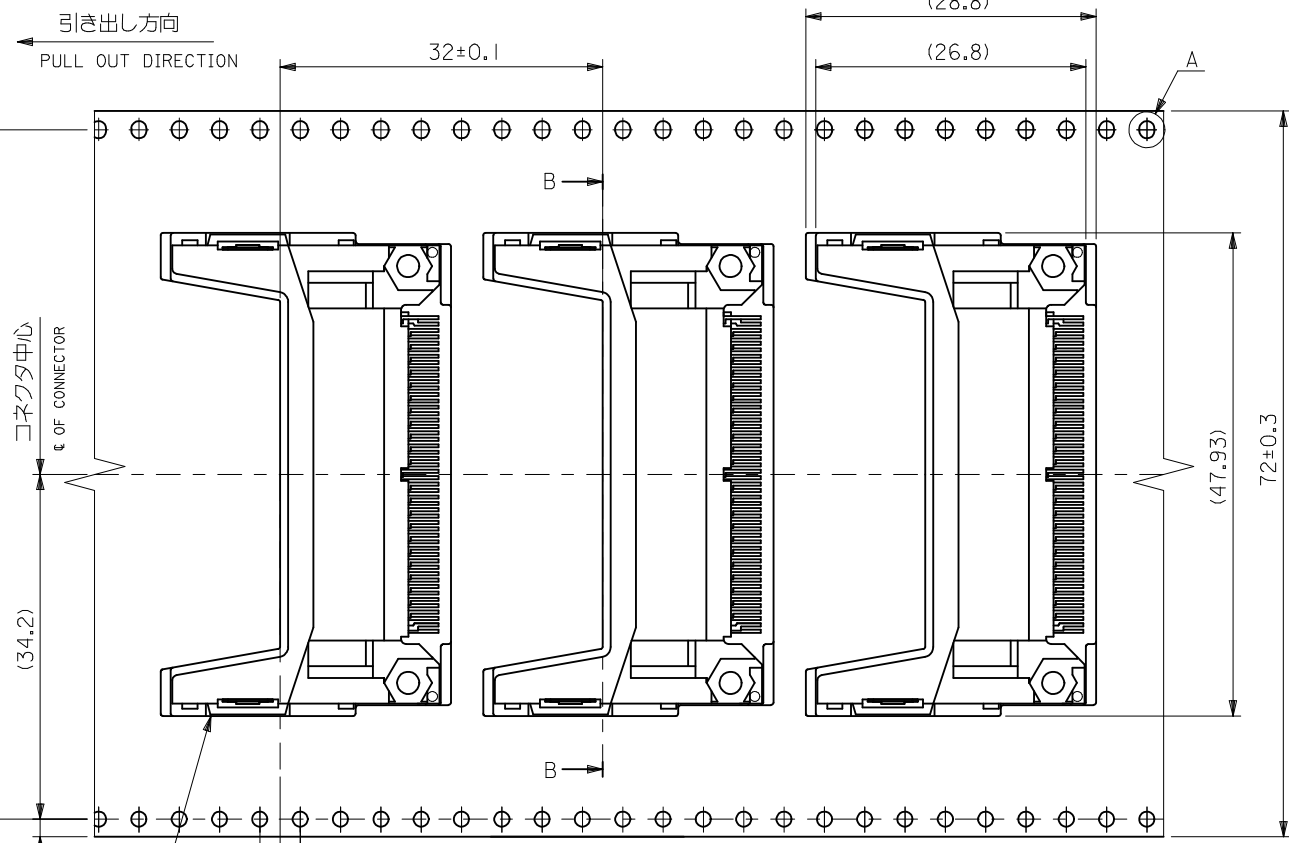
E

D

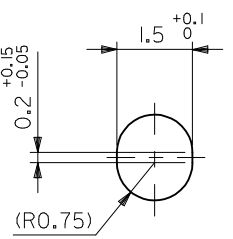
C

B

A



断面 B - B  
SECTION B-B



A部詳細  
SCALE: 10-1

53856-507\*  
累積ピッチ : 40±0.2  
ACCUMULATIVE  
PITCH : 40±0.2

REVISED EC NO: J2015-1214 DRW:RWATANABE01 2015/03/11 CHK:D:MIYAZUMURA 2015/03/18 APPR:MYAGI 2015/03/23	GENERAL TOLERANCES (UNLESS SPECIFIED)		DIMENSION STYLE MM ONLY		SCALE ---	DESIGN UNITS METRIC	THIRD ANGLE PROJECTION
	0.25 UNDER	UNDER	±0.03	DRAWN BY M. NABEI	DATE '04/03/16	TITLE 53856-5070/5071 TAPING PACKAGE -LEAD FREE-	
	0.25 OVER	0.5 UNDER	±0.05	CHECKED BY K. TOJO	DATE '04/03/16		
	0.5 OVER	1.0 UNDER	±0.1	APPROVED BY M. SASAO	DATE '04/03/16		
	1.0 OVER	30 UNDER	±0.2	MATERIAL NO.	DOCUMENT NO.	SHEET NO.	
30 OVER		±0.3	SEE SHEET 1		SD-53856-008		2 OF 2
ANGULAR ±3 °			DRAFT WHERE APPLICABLE MUST REMAIN WITHIN DIMENSIONS		THIS DRAWING CONTAINS INFORMATION THAT IS PROPRIETARY TO MOLEX INCORPORATED AND SHOULD NOT BE USED WITHOUT WRITTEN PERMISSION		

9 8 7 6 5 4 3 2 1

**CONFIDENTIAL**

※管理者以外のコピー及び配布を禁ずる

10 9 8 7 6 5 4 3 2 1

F

E

D

C

B

A

F

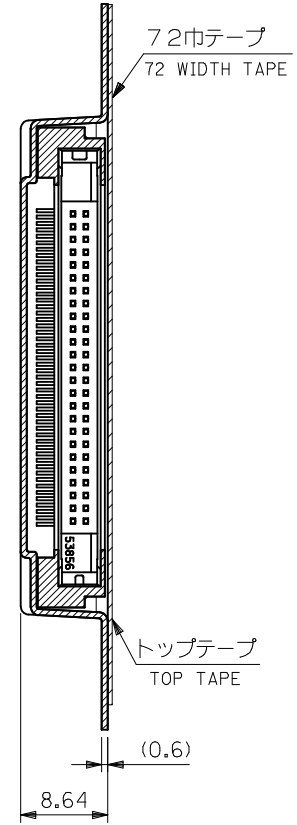
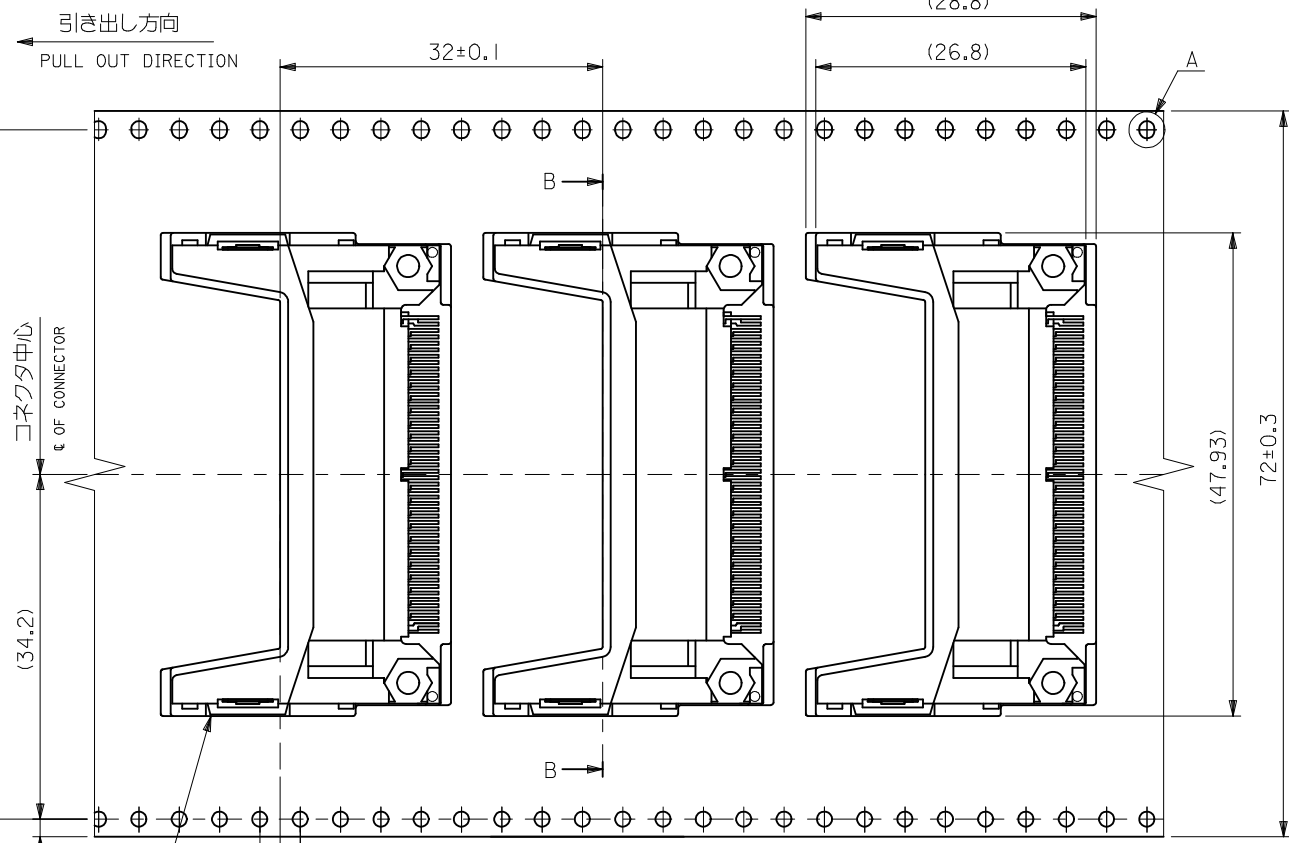
E

D

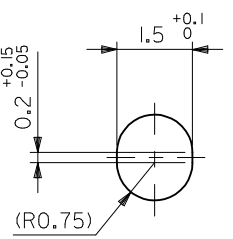
C

B

A



断面 B - B  
SECTION B-B



A部詳細  
SCALE: 10-1

53856-507\*  
累積ピッチ : 40±0.2  
ACCUMULATIVE  
PITCH : 40±0.2

REVISED EC NO: J2015-1214 DRW:RWATANABE01 2015/03/11 CHK:D:MIYAZUMURA 2015/03/18 APPR:MYAGI 2015/03/23	GENERAL TOLERANCES (UNLESS SPECIFIED)		DIMENSION STYLE MM ONLY		SCALE ---	DESIGN UNITS METRIC	THIRD ANGLE PROJECTION	
	0.25 UNDER	UNDER	±0.03	DRAWN BY M. NABEI	DATE '04/03/16	TITLE 53856-5070/5071 TAPING PACKAGE -LEAD FREE-		
	0.25 OVER	0.5 UNDER	±0.05	CHECKED BY K. TOJO	DATE '04/03/16	<b>molex</b> DOCUMENT NO. SD-53856-008 SHEET NO. 2 OF 2		
	0.5 OVER	1.0 UNDER	±0.1	APPROVED BY M. SASAO	DATE '04/03/16			
1.0 OVER	30 UNDER	±0.2	MATERIAL NO.		SEE SHEET 1			
30 OVER		±0.3	DRAFT WHERE APPLICABLE MUST REMAIN WITHIN DIMENSIONS		THIS DRAWING CONTAINS INFORMATION THAT IS PROPRIETARY TO MOLEX INCORPORATED AND SHOULD NOT BE USED WITHOUT WRITTEN PERMISSION			
A	REV	DESCRIPTION	SIZE A3					

9 8 7 6 5 4 3 2 1