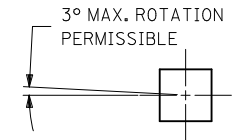
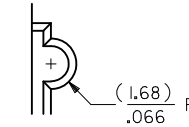


CKT. SIZE	PART NUMBER	ENG. NUMBER SDA-70204-	DIM. "A"		DIM. "B"		DIM. "C"	
			MM	IN.	MM	IN.	MM	IN.
08	25-02-5008	0899	7,62	.300	17,78	.700	20,32	.800
10	25-02-5010	0900	10,16	.400	20,32	.800	22,86	.900
12	25-02-5012	0901	12,70	.500	22,86	.900	25,40	1.000
14	25-02-5014	0902	15,24	.600	25,40	1.000	27,94	1.100
16	25-02-5016	0903	17,78	.700	27,94	1.100	30,48	1.200
18	25-02-5018	0904	20,32	.800	30,48	1.200	33,02	1.300
20	25-02-5020	0905	22,86	.900	33,02	1.300	35,56	1.400
22	25-02-5022	0906	25,40	1.000	35,56	1.400	38,10	1.500
24	25-02-5024	0907	27,94	1.100	38,10	1.500	40,64	1.600
26	25-02-5026	0908	30,48	1.200	40,64	1.600	43,10	1.700
28	25-02-5028	0909	33,02	1.300	43,10	1.700	45,72	1.800
30	25-02-5030	0910	35,56	1.400	45,72	1.800	48,26	1.900
32	25-02-5032	0911	38,10	1.500	48,26	1.900	50,80	2.000
34	25-02-5034	0912	40,64	1.600	50,80	2.000	53,34	2.100
36	25-02-5036	0913	43,10	1.700	53,34	2.100	55,88	2.200
38	25-02-5038	0914	45,72	1.800	55,88	2.200	58,42	2.300
40	25-02-5040	0915	48,26	1.900	58,42	2.300	60,96	2.400

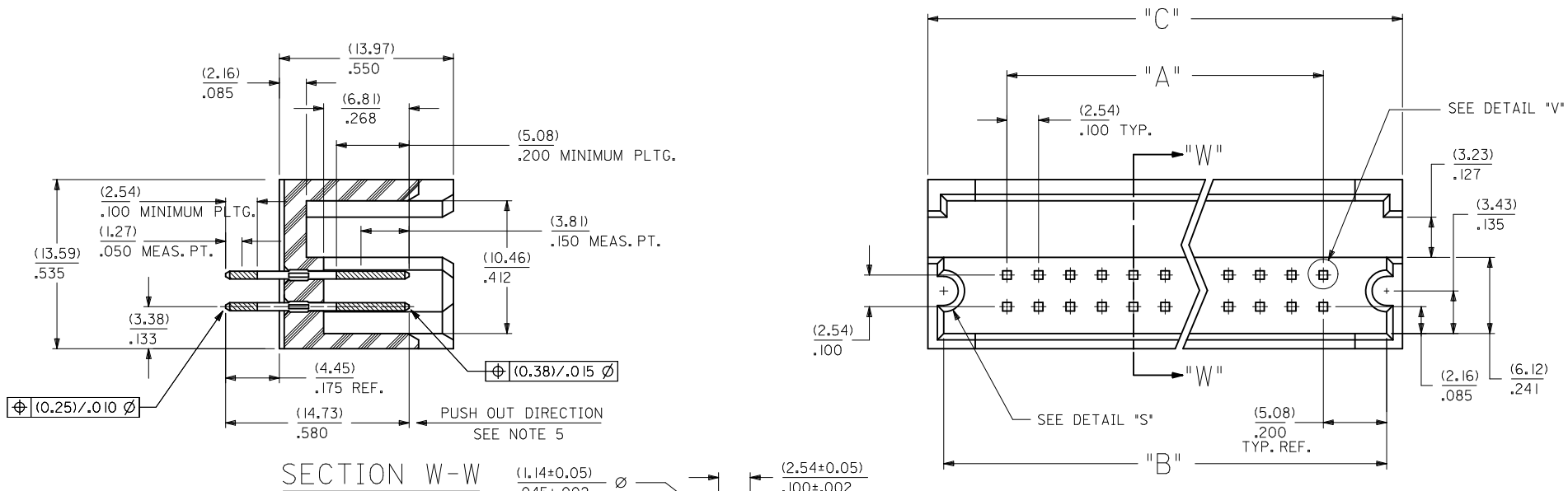
CKT. SIZE	PART NUMBER	ENG. NUMBER SDA-70204-	DIM. "A"		DIM. "B"		DIM. "C"	
			MM	IN.	MM	IN.	MM	IN.
42	25-02-5042	0916	50,80	2.000	60,96	2.400	63,50	2.500
44	25-02-5044	0917	53,34	2.100	63,50	2.500	66,04	2.600
46	25-02-5046	0918	55,88	2.200	66,04	2.600	68,58	2.700
48	25-02-5048	0919	58,42	2.300	68,58	2.700	71,12	2.800
50	25-02-5050	0920	60,96	2.400	71,12	2.800	73,66	2.900
52	25-02-5052	0921	63,50	2.500	73,66	2.900	76,20	3.000
54	25-02-5054	0922	66,04	2.600	76,20	3.000	78,74	3.100
56	25-02-5056	0923	68,58	2.700	78,74	3.100	81,28	3.200
58	25-02-5058	0924	71,12	2.800	81,28	3.200	83,82	3.300
60	25-02-5060	0925	73,66	2.900	83,82	3.300	86,36	3.400
62	25-02-5062	0926	76,20	3.000	86,36	3.400	88,90	3.500
64	25-02-5064	0927	78,74	3.100	88,90	3.500	91,44	3.600
66	25-02-5066	0928	81,28	3.200	91,44	3.600	93,98	3.700
68	25-02-5068	0929	83,82	3.300	93,98	3.700	96,52	3.800
70	25-02-5070	0930	86,36	3.400	96,52	3.800	99,06	3.900
72	25-02-5072	0931	88,90	3.500	99,06	3.900	101,60	4.000



**DETAIL "V"**  
SCALE = 20:1



**DETAIL "S"**



- NOTES:  
 1. WAFER MATERIAL: GLASS FILLED NYLON; COLOR: BLACK  
 2. PIN MATERIAL: COPPER ALLOY  
 3. PIN PLATING:  
 OVERALL: 150 MICROINCHES MINIMUM TIN  
 OVER NICKEL UNDERPLATE  
 4. PINS MUST MEET SOLDERABILITY SPEC. NO. 152  
 5. PIN PUSH-OUT FORCE (1.81 KG/4 LBS MINIMUM  
 6. REFER TO P.S. NO. 70204  
 7. STANDARD PACKAGING PER: PK-70873-0070

CORRECT DIMENSION EC NO: UCP2011-3892 DRWINHS BARRA 2011/06/27 CHKD:JORGAN APPR:SMILLER 2011/07/07	QUALITY SYMBOLS	GENERAL TOLERANCES (UNLESS SPECIFIED)	DIMENSION STYLE MM/IN	SCALE 4:1	DESIGN UNITS INCH	THIRD ANGLE PROJECTION
	▽=0	4 PLACES ± --- ± ---	DRAWN BY JAS	DATE 1986/05/20	TITLE <b>SHROUDED HEADER DUAL ROW W/PCB SLOTS &amp; GUIDE EARS .100 GRID, .025 SQ PIN</b>	
	▽=0	3 PLACES ± --- ± .010	CHECKED BY EIK	DATE 1986/05/20		
	▽=0	2 PLACES ± .025 ± ---	APPROVED BY WAZ	DATE 1986/05/20	DOCUMENT NO. <b>SDA-70204-0897-0960</b>	
ANGULAR ±1/2°	DRAFT WHERE APPLICABLE MUST REMAIN WITHIN DIMENSIONS	MATERIAL NO. <b>SEE TABLE</b>	SHEET NO. 1 OF 1			

THIS DRAWING CONTAINS INFORMATION THAT IS PROPRIETARY TO MOLEX INCORPORATED AND SHOULD NOT BE USED WITHOUT WRITTEN PERMISSION