

■ **Features**

- Single output from 20-24W
- 100-240Vac Universal Input
- Efficiency Level: VI
- Over Current Protection
- Short Circuit Protection
- LPS Rated Products
- Class II construction
- Fixed AC blades: US, UK, EU, AU, CN
- Case options: Space saver design upon availability
- Dimension: 72x34x51.5mm(Space saver)



\*Product images are for illustrative purposes only and may vary from actual design.

**Custom Designs Available!**

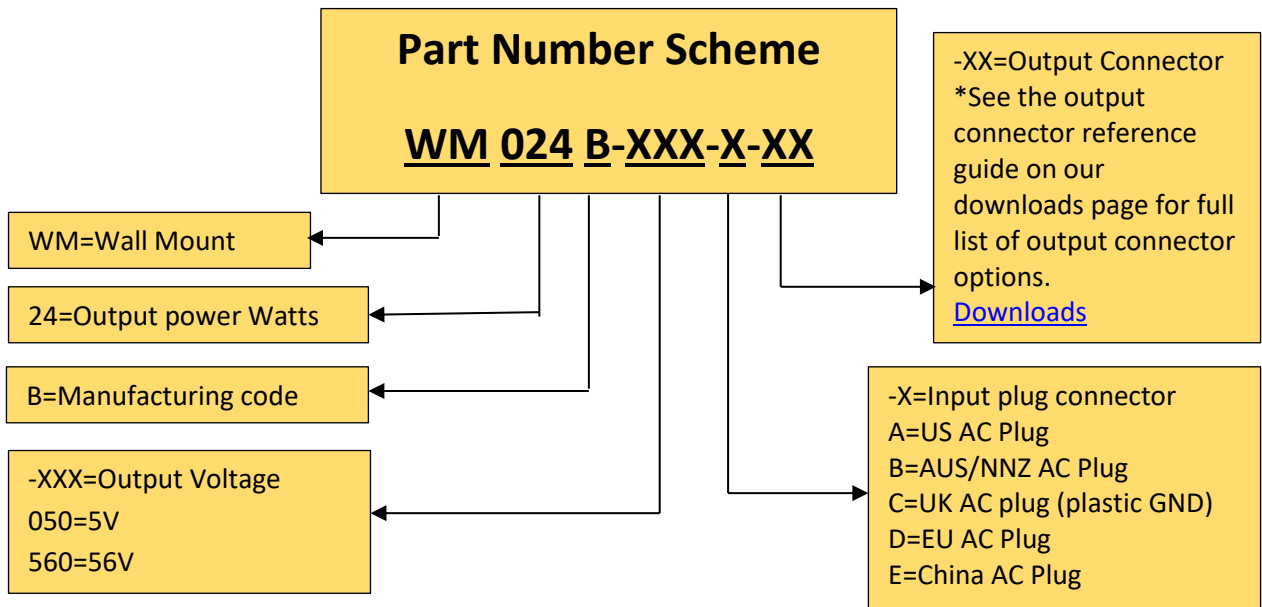
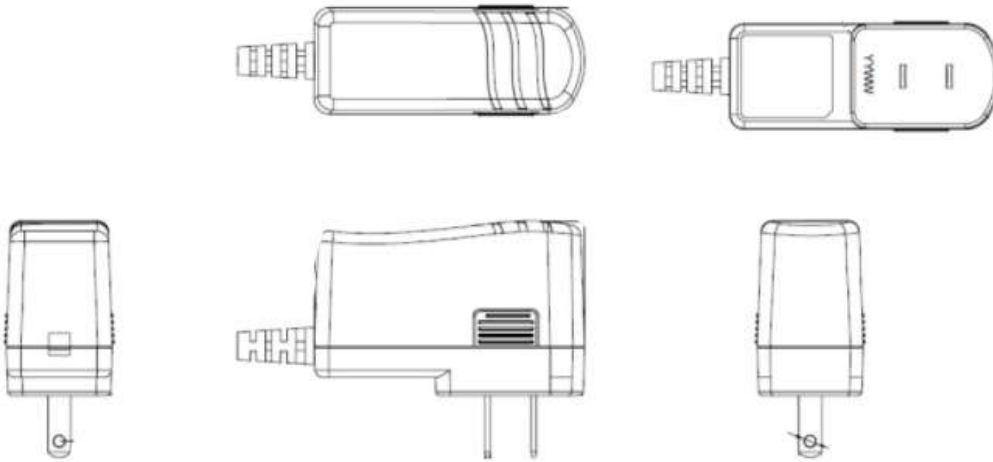
■ **Application**

- Consumer electronics, Telecom and office equipment
- Industrial equipment

■ **Model List**

Model	Output Voltage	Output Current	Power	Certifications
WM024B-050-X-XX	5V	4A	20W	UL/cUL
WM024B-090-X-XX	9V	2.7A	24W	UL/cUL
WM024B-120-X-XX	12V	2A	24W	UL/cUL
WM024B-150-X-XX	15V	1.6A	24W	UL/cUL
WM024B-190-X-XX	19V	1.3A	24W	UL/cUL
WM024B-240-X-XX	24V	1A	24W	UL/cUL
WM024B-280-X-XX	28V	0.86A	24W	UL/cUL
WM024B-360-X-XX	36V	0.7A	24W	UL/cUL
WM024B-480-X-XX	48V	0.5A	24W	UL/cUL
WM024B-560-X-XX	56V	0.42A	24W	UL/cUL

■ Mechanical Diagram-Space Saver Design



\*Some Safety Agency Approvals may differ from what is shown. Contact Autec Sales!

\*Product images are for illustrative purposes only and may vary from actual design.

\*Specifications are subject to change without notice. Autec is not responsible for issues arising from errors or omissions.