

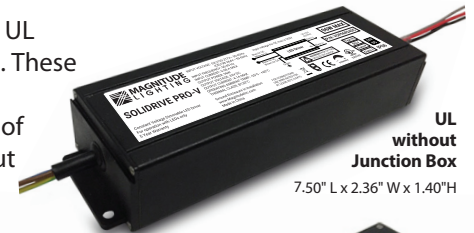
# SOLIDRIVE PRO-V

## Constant Voltage Phase-Cut Dimmable LED Drivers

The SOLIDRIVE PRO-V Constant Voltage Class 2 LED Drivers from Magnitude Lighting are UL Listed. Drivers with enclosures have a built-in junction box on both the input and output. These drivers are IP66 and UL2043 plenum rated and are suitable for both indoor and outdoor installations. With universal input voltage ranging from 120 to 277VAC, the PRO-V Series of drivers are designed for residential, commercial and industrial applications. Our phase-cut dimming delivers smooth flicker-free dimming down to 1% with most LED's and a wide variety of compatible dimmers. As always, a 5-year warranty is a standard on all of Magnitude's products.

### Key Features

- Forward & Reverse Phase-Cut Dimming
- Flicker Free Dimming, Down To 1%
- Universal Input Voltage – 120 to 277VAC
- UL Listed Enclosure – With Built-In Junction Boxes
- IP66 – For Both Indoor & Outdoor Use
- Class 2, Class P
- Hiccup Mode Protection For Short Circuit & Over-Temperature
- Overload Protection



**Product Name:** SOLIDRIVE PRO-V

**Description:** Constant Voltage Phase Cut Dimmable LED Driver

**Installation:** Can have integrated junction box with multiple 7/8" knock-outs or no junction box with wire leads

**Driver Type:** Class 2 Single Channel

**Dimming:** Phase cut dimming down to 1% with both Leading Edge (MLV) and Trailing Edge (ELV) dimmers

**Input Voltage:** Universal 120VAC to 277VAC, 50/60Hz

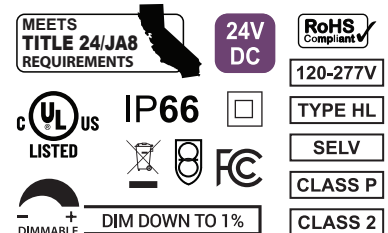
**Output Voltage:** 24VDC

**IP Rating:** IP66

**Listing:** UL Listed

**Certifications:** UL8750, UL2043 Plenum Rated

**Warranty:** 5-Year Warranty



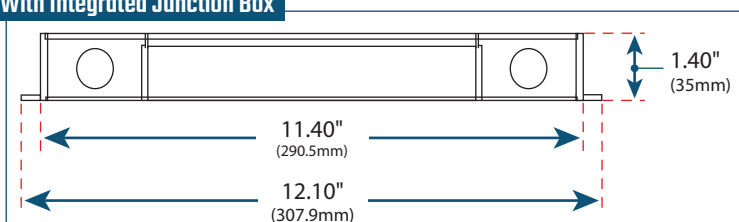
### Ordering Guide Example: VOP96L24DC

VOP DC

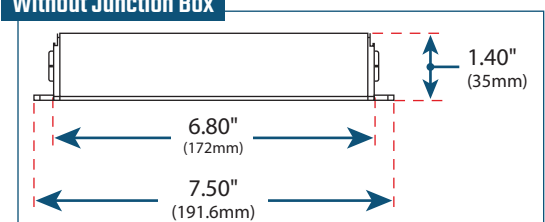
Type	Max Power	Enclosure	Output
VOP	96 - 96W 60 - 60W 30 - 30W	L - With Junction Box R - Without Junction Box	24 - 24VDC

	With Junction Box	Without Junction Box
<b>Length</b>	12.10" (307.9mm)	7.50" (191.6mm)
<b>Width</b>	2.36" (59.9mm)	2.36" (59.9mm)
<b>Height</b>	1.40" (35mm)	1.40" (35mm)

#### With Integrated Junction Box



#### Without Junction Box



# SOLIDRIVE PRO-V

## Constant Voltage Phase-Cut Dimmable LED Drivers

### Specifications

Input	96W	60W	30W
<b>Input Voltage Range:</b>	120 - 277VAC ± 10%	120 - 277VAC ± 10%	120 - 277VAC ± 10%
<b>Input Frequency:</b>	50 / 60Hz	50 / 60Hz	50 / 60Hz
<b>Input Current:</b>	0.98A Max	0.98A Max	0.98A Max
<b>Inrush Current:</b>	<40A max @120VAC	<40A max @120VAC	<40A max @120VAC
<b>Efficiency:</b>	> 86% Max	> 86% Max	> 86% Max
<b>Power Factor:</b>	277VAC, >0.90 120VAC, >0.95	277VAC, >0.90 120VAC, >0.95	277VAC, >0.90 120VAC, >0.95
<b>THD:</b>	< 20%	< 20%	< 20%
Output			
<b>Output Voltage:</b>	24VDC	24VDC	24VDC
<b>Max Load:</b>	96W	60W	30W
<b>Output Current @ Max Load:</b>	4.1A	2.6A	1.3A
<b>Output Ripple:</b>	<10%	<10%	<10%
<b>Line Regulation:</b>	± 2.5%	± 2.5%	± 2.5%
<b>Load Regulation:</b>	± 5%	± 5%	± 5%
<b>Turn On Delay Time:</b>	< 0.5 sec	< 0.5 sec	< 0.5 sec
Environmental			
<b>Env. Protection Rating:</b>	IP66	IP66	IP66
<b>Ambient Operating Temp.:</b>	-25°C - +40°C (-13°F - 104°F)	-25°C - +40°C (-13°F - 104°F)	-25°C - +40°C (-13°F - 104°F)
<b>Max Case Temp. (Tcase):</b>	80°C (176°F)	80°C (176°F)	80°C (176°F)
<b>Storage Temperature:</b>	-40°C - +85°C (-40°F - 185°F)	-40°C - +85°C (-40°F - 185°F)	-40°C - +85°C (-40°F - 185°F)
<b>Expected Lifetime:</b>	≥50,000hrs @ Tc ≤75	≥50,000hrs @ Tc ≤75	≥50,000hrs @ Tc ≤75
<b>Audible Noise:</b>	<24dB Class A	<24dB Class A	<24dB Class A
Dimming (Dimming Models Only)			
<b>Dimming Style:</b>	Phase Cut Dimming	Phase Cut Dimming	Phase Cut Dimming
<b>Min. Dimming Level:</b>	1%	1%	1%
<b>Dimming Curve:</b>	Linear	Linear	Linear
Protection			
<b>Over Current Protection:</b>	Yes	Yes	Yes
<b>Short Circuit Protection:</b>	Yes	Yes	Yes

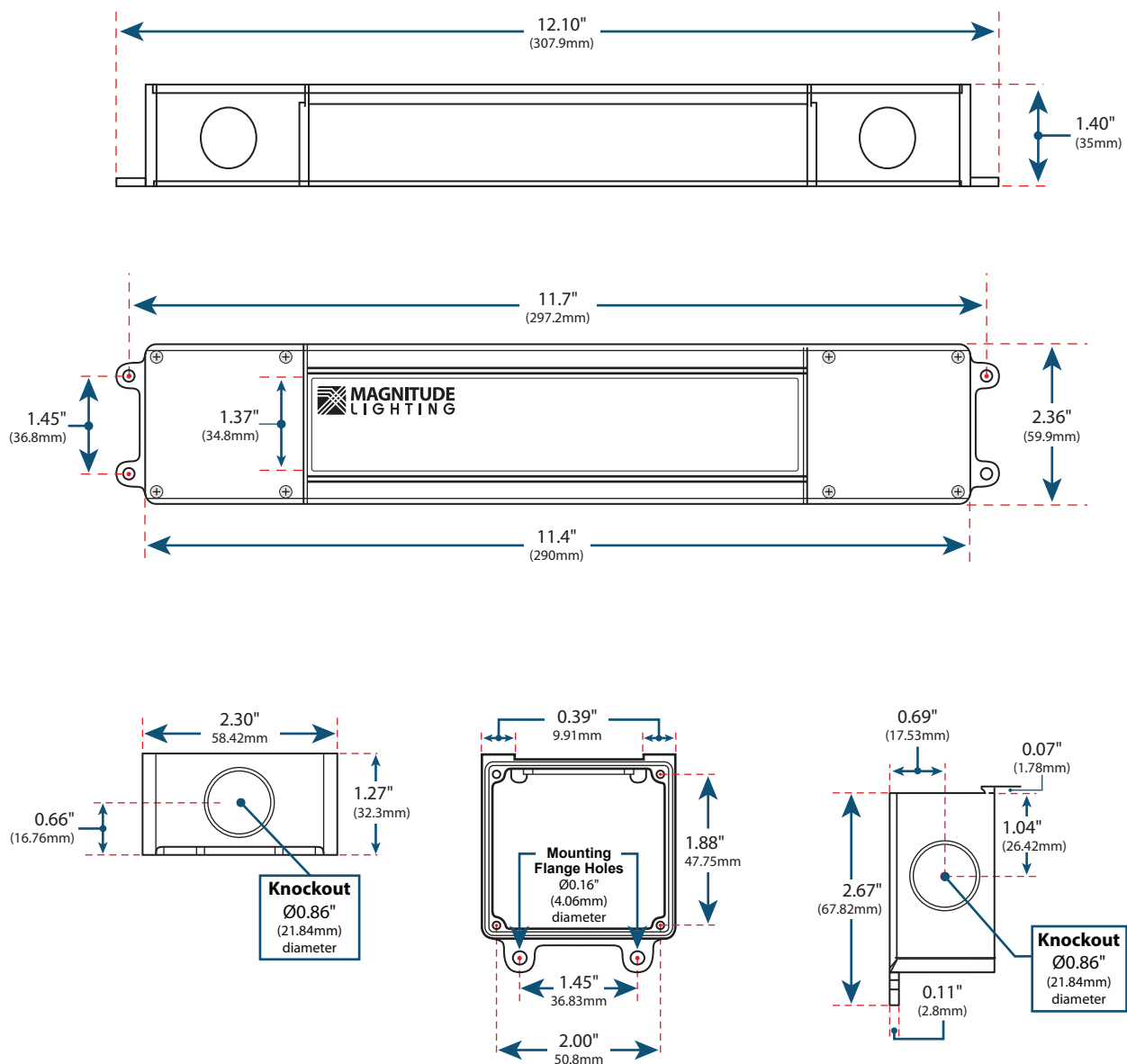
# SOLIDRIVE PRO-V

## Constant Voltage Phase-Cut Dimmable LED Drivers

### Mechanical Diagrams

#### With Integrated Junction Box

(Drawings not to scale)



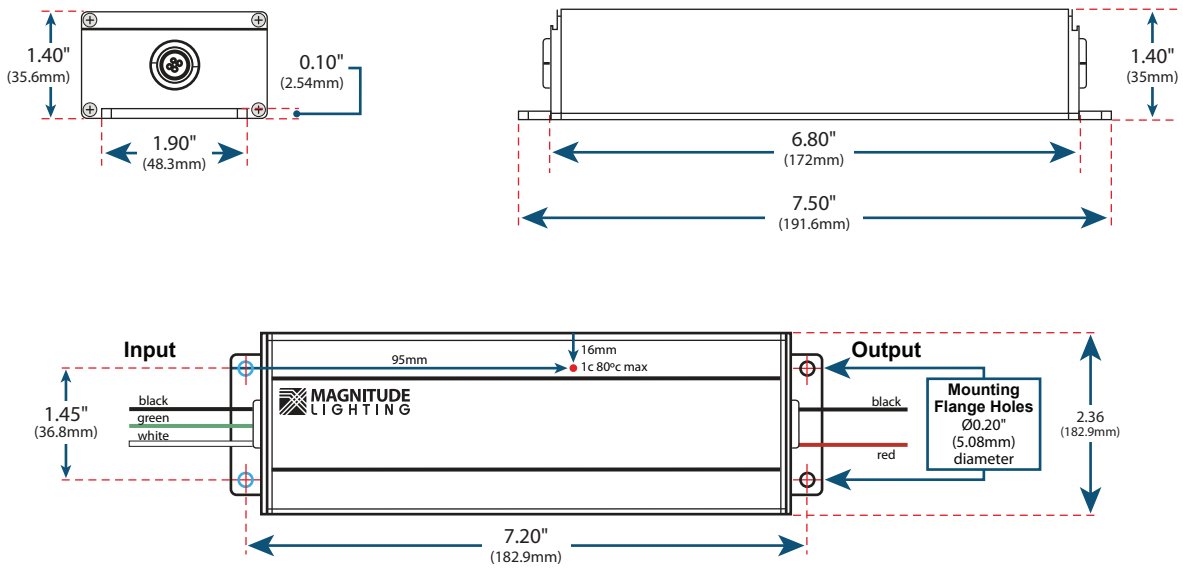
# SOLIDRIVE PRO-V

## Constant Voltage Phase-Cut Dimmable LED Drivers

### Mechanical Diagrams

#### Without Integrated Junction Box

(Drawings not to scale)



### Wiring Diagram

