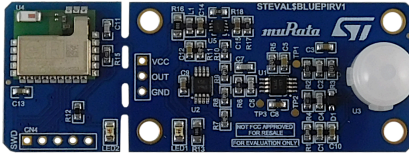


Wireless motion detector based on Bluetooth® Low Energy and PIR sensor



Features

- BlueNRG-M2SA module for communication
- Signal conditioning based on TSU102
- Window comparator based on TS883
- STLQ020 power management
- CR2032 coin cell battery
- Connectivity with STBLESensor app
- Motion detection range up to 5 m
- Low-power design
- RoHS compliant

Description

The STEVAL-BLUEPIRV1 evaluation board is an application example design of a wireless motion detector based on a passive infrared (PIR) sensor and featuring Bluetooth® Low Energy wireless connectivity.

The passive infrared sensors are the most used sensors for motion detection, thanks to their low-power consumption and price.

The STEVAL-BLUEPIRV1 evaluation board uses IRA-S210ST01 by Murata. The detection range of the IML-0688 Fresnel lens is up to 5 m.

The on-board low-power TSU102 CMOS op-amp and TS883 comparator perform the analog signal conditioning with a power consumption in a sub- μ A range.

The embedded BlueNRG-M2SA FCC and IC certified radio module (FCC ID: S9N-BNRGM2S and IC: 8976CBNRGM2SA), which integrates an application microcontroller based on an Arm®Cortex®-M0 core, features the Bluetooth® Low Energy connectivity.

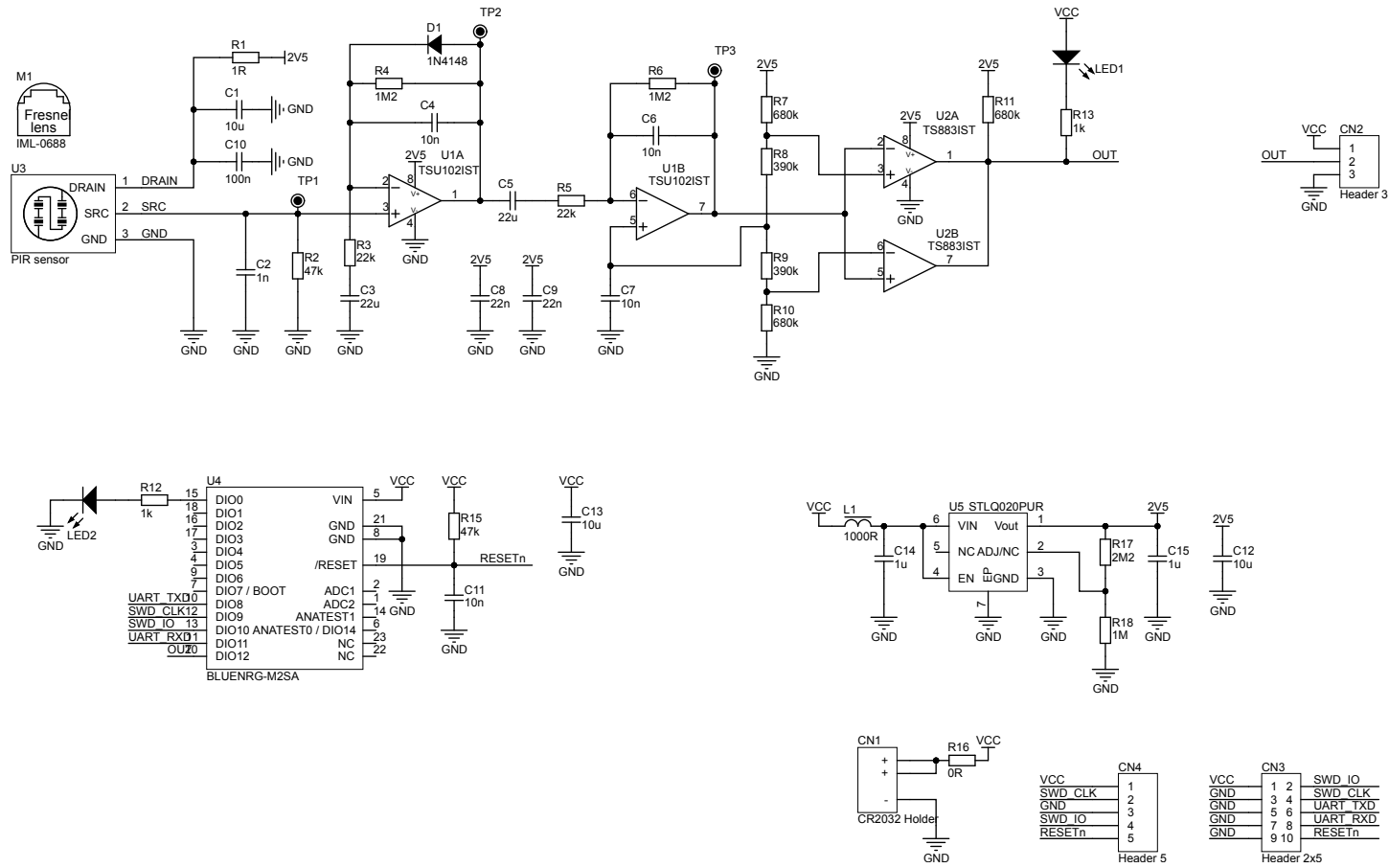
The whole design has been built by focusing on low-power consumption. Even though powered via a CR2032 coin-cell battery, the board expected lifetime is around a year.

Product summary

Wireless motion detector based on Bluetooth® Low Energy and PIR sensor	STEVAL-BLUEPIRV1
Very low power application processor module for Bluetooth® Low Energy v5.2	BlueNRG-M2SA
Nanopower (580 nA) rail-to-rail I/O 5 V CMOS op-amp	TSU102IST
Rail-to-rail 0.9 V nanopower, open drain dual comparators	TS883IST
Bluetooth® Low Energy sensor application for Android and iOS	STBLESensor
Application	Industrial Sensors

1 Schematic diagrams

Figure 1. STEVAL-BLUEPIRV1 circuit schematic



2 Board versions

Table 1. STEVAL-BLUEPIRV1 versions

PCB version	Schematic diagrams	Bill of materials
STEVAL\$BLUEPIRV1A ⁽¹⁾	STEVAL\$BLUEPIRV1A schematic diagrams	STEVAL\$BLUEPIRV1A bill of materials

1. This code identifies the STEVAL-BLUEPIRV1 evaluation board first version. It is printed on the board PCB.

Revision history

Table 2. Document revision history

Date	Revision	Changes
11-Apr-2022	1	Initial release.

IMPORTANT NOTICE – READ CAREFULLY

STMicroelectronics NV and its subsidiaries (“ST”) reserve the right to make changes, corrections, enhancements, modifications, and improvements to ST products and/or to this document at any time without notice. Purchasers should obtain the latest relevant information on ST products before placing orders. ST products are sold pursuant to ST’s terms and conditions of sale in place at the time of order acknowledgment.

Purchasers are solely responsible for the choice, selection, and use of ST products and ST assumes no liability for application assistance or the design of purchasers’ products.

No license, express or implied, to any intellectual property right is granted by ST herein.

Resale of ST products with provisions different from the information set forth herein shall void any warranty granted by ST for such product.

ST and the ST logo are trademarks of ST. For additional information about ST trademarks, refer to www.st.com/trademarks. All other product or service names are the property of their respective owners.

Information in this document supersedes and replaces information previously supplied in any prior versions of this document.

© 2022 STMicroelectronics – All rights reserved