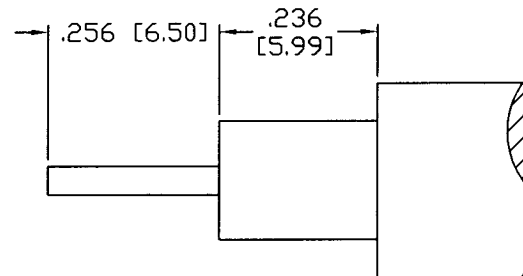
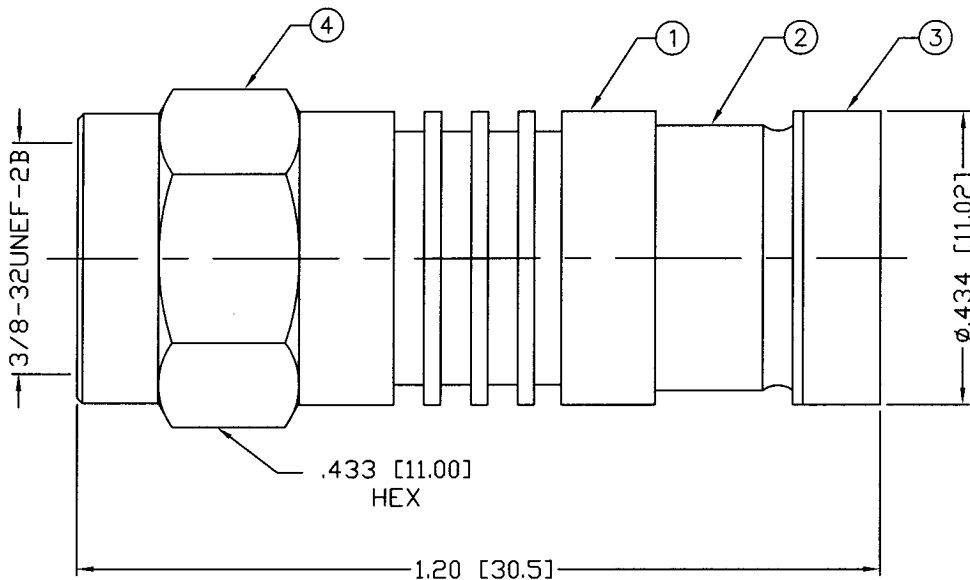


THIS DRAWING CONTAINS INFORMATION PROPRIETARY TO RF INDUSTRIES,
 ANY UNAUTHORIZED USE OF THIS DRAWING IS EXPRESSLY PROHIBITED
 WITHOUT WRITTEN PERMISSION FROM RF INDUSTRIES.
 ANY VIOLATION IS PUNISHABLE UNDER U.S. COPYRIGHT LAWS.

ALL DIMENSIONS ARE REFERENCE ONLY

PART NO.		RFF-1401-Q		
REV	DESCRIPTION	DWN	DATE	APPROVED
-	ENGINEERING RELEASE	CZS	10/21/04	JDMc



RECOMMENDED STRIPPING DIMENSIONS
 USE RFA-4004-20 CRIMP TOOL

SPECIFICATIONS:

IMPEDANCE: 75 Ohms
 FREQUENCY RANGE: SEE CABLE
 MANUFACTURER SPECS
 FOR RG-6/U TYPE; BELDEN 1694A, 9248;
 COMMSCOPE 5715, 5729, 5765

1	BODY	1	BRASS	NICKEL, 100μ"	
2	COMPRESSION PLASTIC	1	---	---	
3	RING	1	BRASS	NICKEL, 100μ"	
4	SHELL	1	BRASS	NICKEL, 100μ"	
5					
6					
7					
8					
9					
10					
11					
12					
13					
14					
#	DESCRIPTION	QTY	MATERIAL	FINISH	APPROVALS DATE

UNLESS OTHERWISE SPECIFIED:

DIMENSIONS ARE IN INCHES
 AND [MILLIMETERS]
 UNLESS OTHERWISE NOTED
 TOLERANCES ARE:
 DECIMALS DIAMETER



7610 MIRAMAR RD
 SAN DIEGO, CA 92126
 (858) 549-6340
 (858) 549-6345 FAX

F PLUG

COMPRESSION CLAMP, WATERPROOF

SIZE A	CABLE GROUP Q	DWG NO. RFF-1401-Q	REV -
SCALE: NTS		CAD FILE OUTLINE	SHEET 1 OF 1