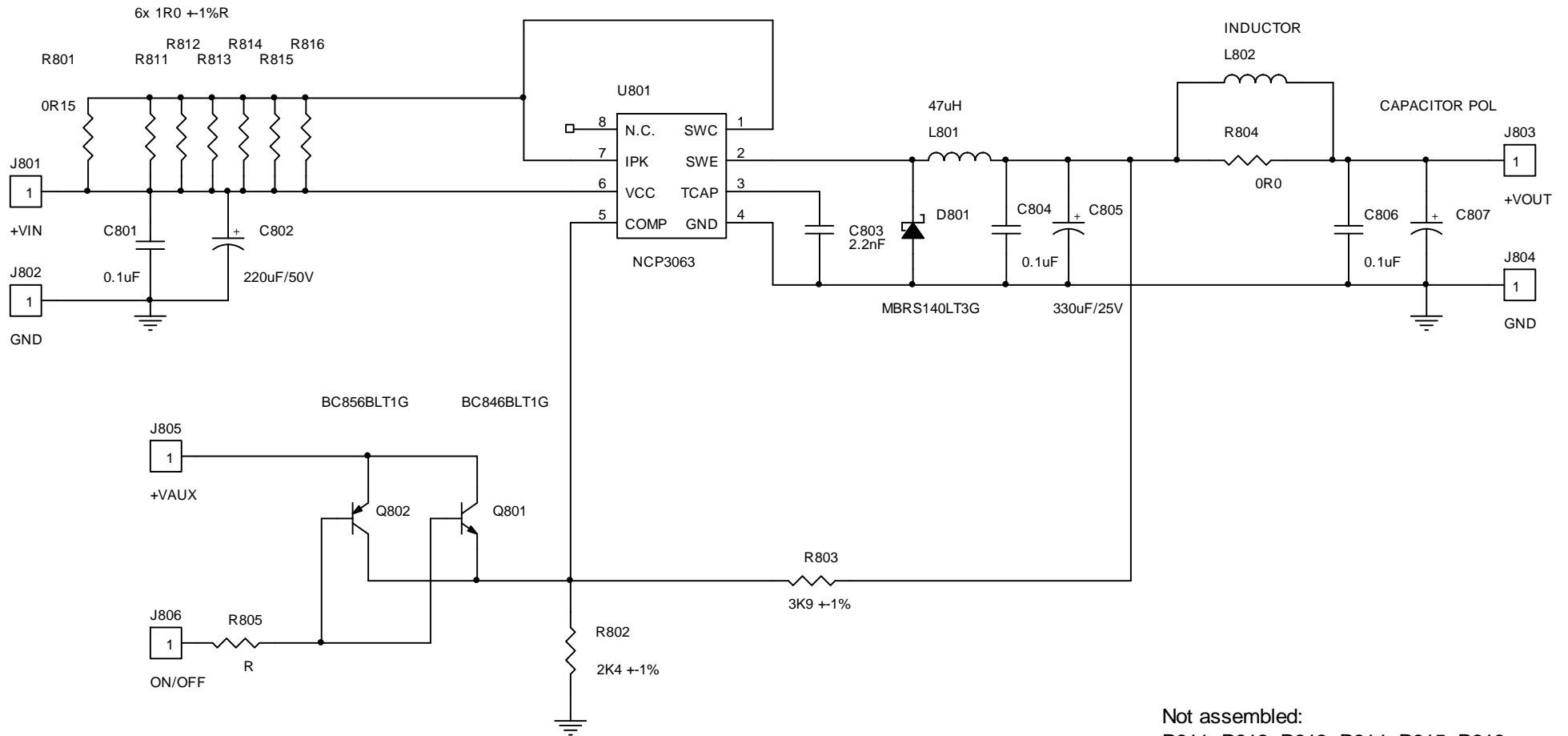




Schematic for the NCP3063 (DFN) Buck Evaluation Board

9/27/2006



Not assembled:
 R811, R812, R813, R814, R815, R816
 R805
 L802
 C804, C807
 Q801, Q802