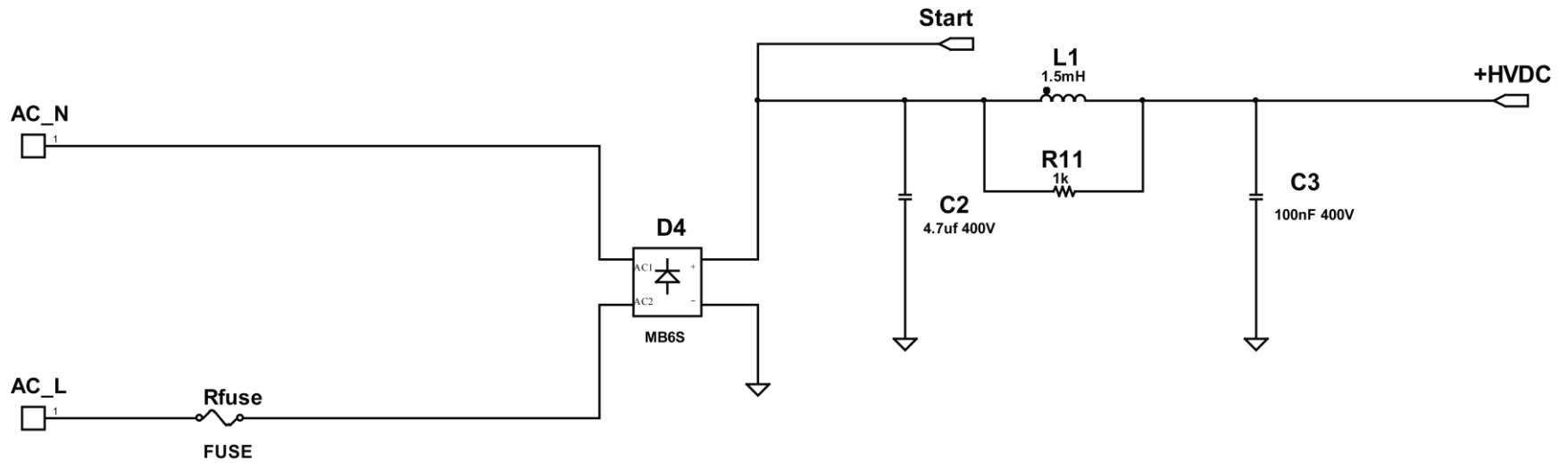
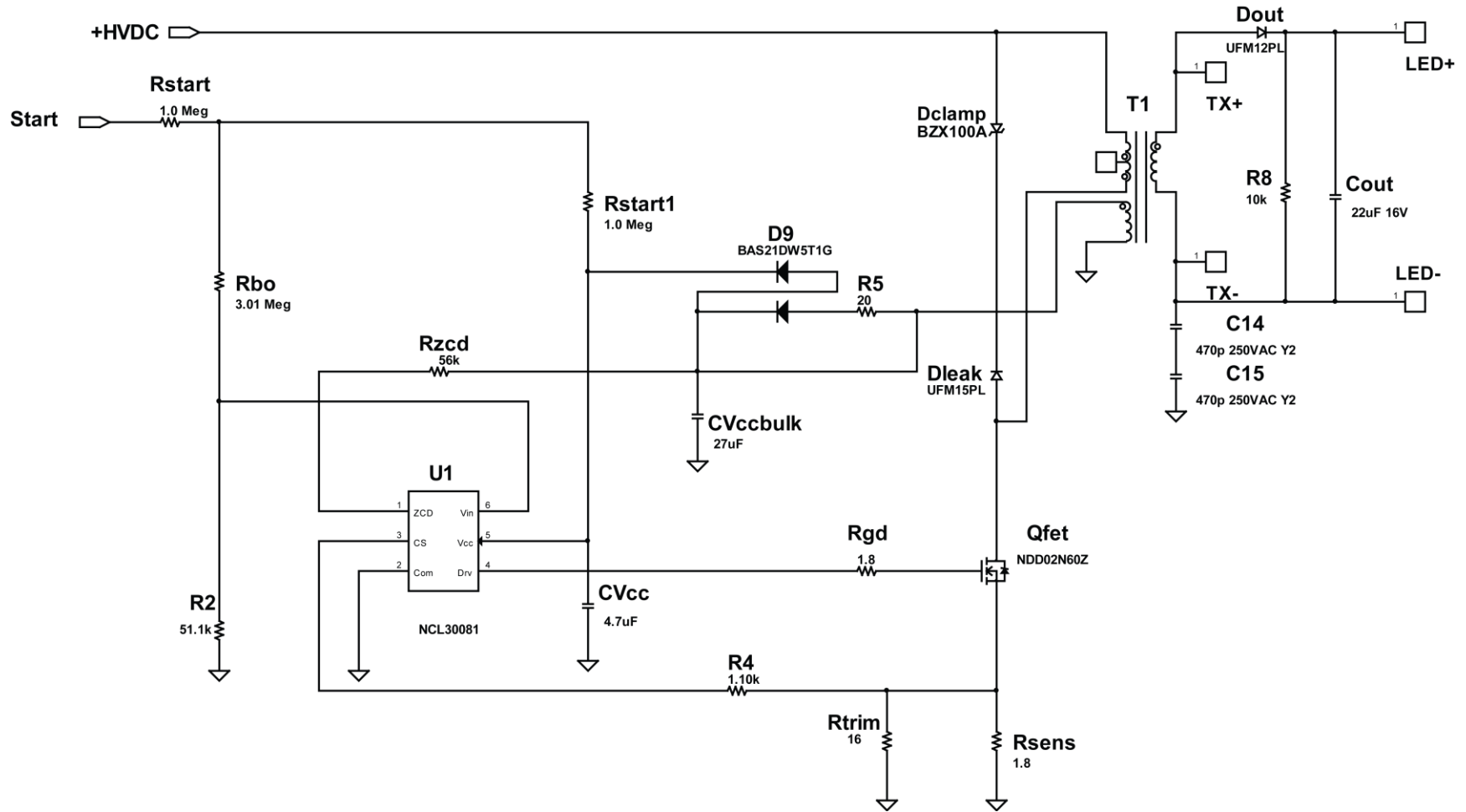




Schematic for the NCL30081LEDGEVB Evaluation Board



Input Circuit



Main Schematic