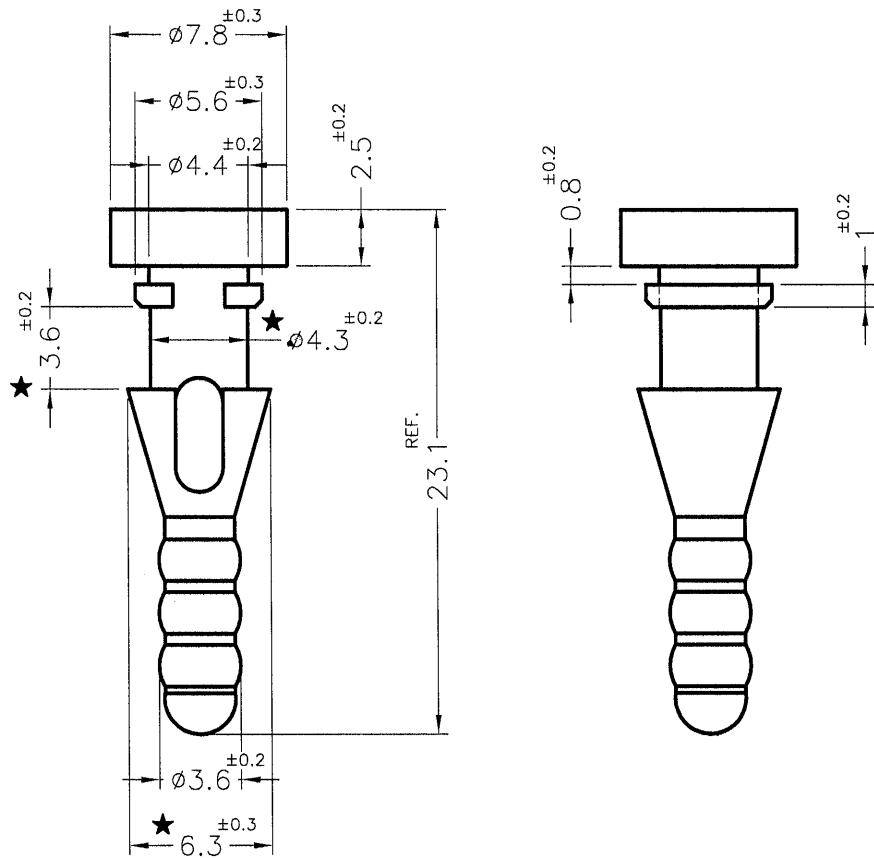


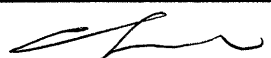


REVISIONS			
REV	DESCRIPTION	DATE	BY



PART NO.	HARDNESS
BUB-22G	45°±10°
BUB-22H	55°±10°

NOTE: ALL MEASUREMENT DOES NOT INCLUDE GATE WHICH RAISES UNDER 1.2mm
 所有尺寸量測皆不含進膠口, 膠口凸出1.2mm之內.

 康揚企業股份有限公司 KANG YANG HARDWARE ENTERPRISE CO., LTD. 康揚塑膠(東莞)有限公司 KANG YANG PLASTIC(DONG GUAN) CO., LTD. 康哲電腦配件(吳江)有限公司 KANG CHE COMPUTER COMPONENTS(WUJIANG) CO., LTD.	TITLE		FAN SNAP RIVET		SPEC. DWG.		
	MATERIAL		TPE		DATE		2006.09.20
	HARDNESS		SEE ABOVE		DRAWN		leeya
	COLOR		BLACK		CHECK		
PART NUMBER		DRAWING NUMBER		UNLESS OTHERWISE SPECIFIED TOLERANCE		APPROVED	
SEE ABOVE		BUB-22		SEE ABOVE			
SIZE	SCALE	UNIT	REV				
A4	3:1	mm	C				