



Product Discontinuation Notification

PDN14-17-E Toggle Y bushings

Obsolescence of “Y” bushings with “E” Toggle 3 pole options

C&K Components

15 Riverdale Ave, Newton MA 02458
Tel: 617.969.3700 www.ck-components.com

Document subject to change without prior notice

Document revision

Revision	Date	Description	Author
A	27 February 2015	Y Bushings EOL E Toggle 3 Poles	Kyle Peterson

C&K Components

15 Riverdale Ave, Newton MA 02458
Tel: 617.969.3700 www.ck-components.com

Document subject to change without prior notice



Summary

1.	Purpose.....	4
2.	Reason for discontinuation.....	4
2.1	Part numbers affected	4
3	Support	5

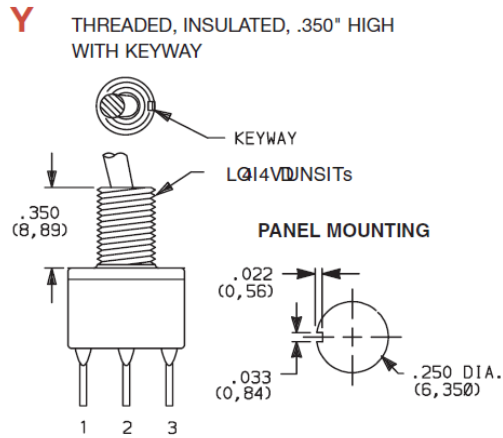
C&K Components

15 Riverdale Ave, Newton MA 02458
Tel: 617.969.3700 www.ck-components.com

Document subject to change without prior notice

1. Purpose

The purpose of this notice is to announce that the “Y” bushing option code in E series toggles with 3 pole option is no longer available. Specifically the E301 switch function.



Available only with C, Z, Z3, & W terminations.

Available for 1&2 pole only.

Switch Function

E101	SP, On-None-On
E103	SP, On-Off-On
E105	SP, Mom.-Off-Mom.
E107	SP, On-Off-Mom.
E108	SP, On-None-Mom.
E201	DP, On-None-On
E203	DP, On-Off-On
E205	DP, Mom.-Off-Mom.
E207	DP, On-Off-Mom.
E208	DP, On-None-Mom.
E211	DP, On-On-On
E213	DP, On-On-Mom.
E215	DP, Mom.-On-Mom.
E301	3P, On-None-On

2. Reason for discontinuation

The tooling for the 3 pole option is in need of repair and the declining sales on the part numbers affected do not justify retooling.

2.1 Part #'s Affected:

E301L3YCQE2	SS-2268
E301L3YZBE2	SS-2248
E301L3YZGE2	
E301L3YZQE2	
E301MYZBE	
E301MYZQE	
E301SYAKE	
E301SYCBE	
E301SYCLE	
E301SYCQE	
E301SYZBE	
E301SYZGE	
E301SYZQE	
SS-2261	
SS-4015	

C&K Components

15 Riverdale Ave, Newton MA 02458
Tel: 617.969.3700 www.ck-components.com

Document subject to change without prior notice



3. Support

Please contact customer service or your local sales representative for any further questions.

Best Regards,

Kyle Peterson

A handwritten signature in black ink that reads 'Kyle Peterson'.

Worldwide Product Manager
C&K Components
PH-617-969-3700

C&K Components

15 Riverdale Ave, Newton MA 02458
Tel: 617.969.3700 www.ck-components.com

Document subject to change without prior notice