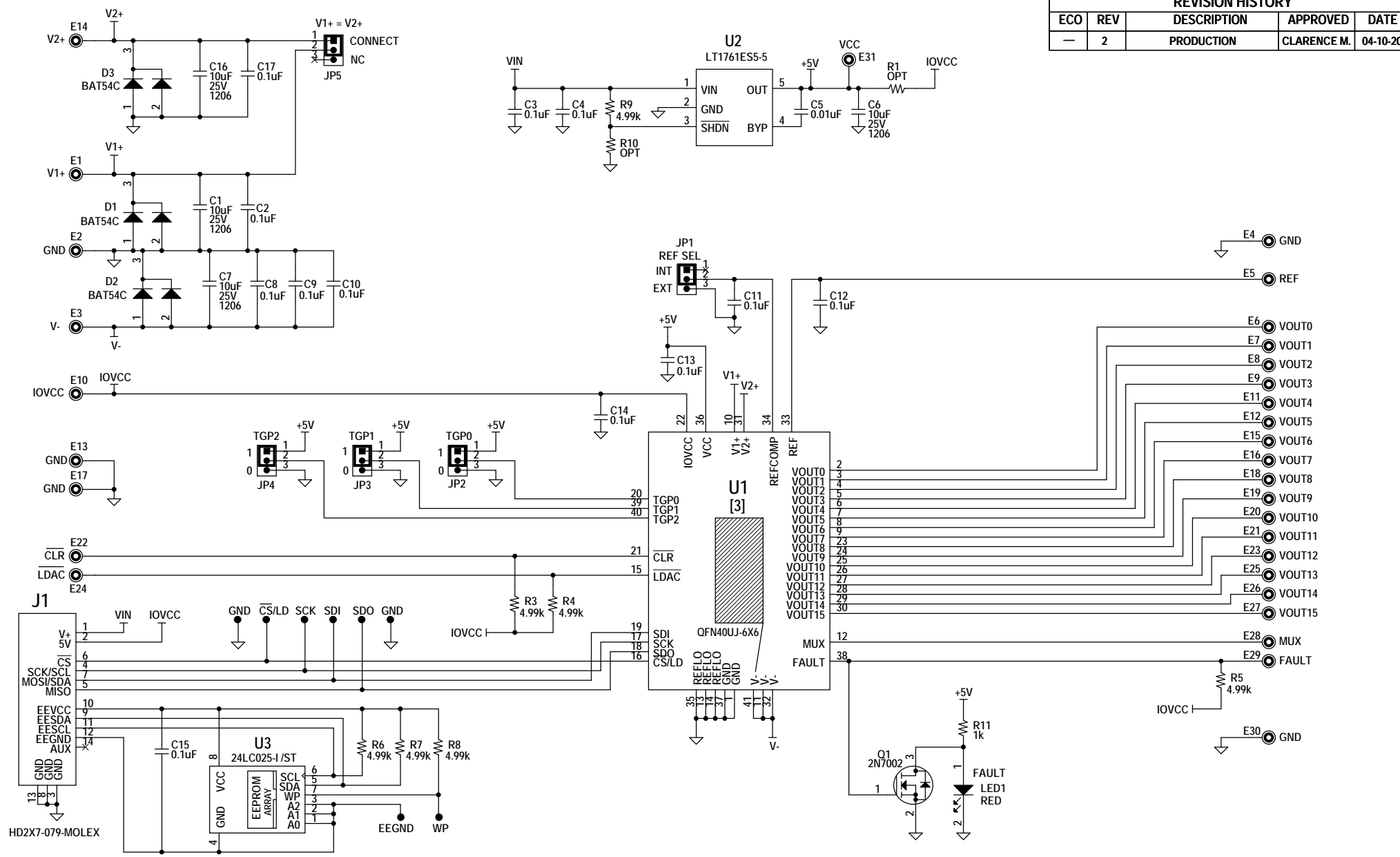


REVISION HISTORY				
ECO	REV	DESCRIPTION	APPROVED	DATE
-	2	PRODUCTION	CLARENCE M.	04-10-20



**NOTE: UNLESS OTHERWISE SPECIFIED**

1. ALL CAPACITORS ARE IN MICROFARADS, 0603.
2. INSTALL SHUNTS AS SHOWN.

**[3]. ASSEMBLY TABLE:**

ASSY	U1	SUFFIX	-Bit
A	LTC2688-18	18	18
B	LTC2688-16	16	16
C	LTC2688-12	12	12

CUSTOMER NOTICE		APPROVALS		ANALOG DEVICES	
ANALOG DEVICES HAS MADE A BEST EFFORT TO DESIGN A CIRCUIT THAT MEETS CUSTOMER - SUPPLIED SPECIFICATIONS; HOWEVER, IT REMAINS THE CUSTOMER'S RESPONSIBILITY TO VERIFY PROPER AND RELIABLE OPERATION IN THE ACTUAL APPLICATION. COMPONENT SUBSTITUTION AND PRINTED CIRCUIT BOARD LAYOUT MAY SIGNIFICANTLY AFFECT CIRCUIT PERFORMANCE OR RELIABILITY. CONTACT ANALOG DEVICES APPLICATIONS ENGINEERING FOR ASSISTANCE.		PCB DES.	KIM T.	 2555 AUGUSTINE DRIVE SANTA CLARA, CA 95054 www.analog.com	
		APP ENG.	CLARENCE M.		
ADI CONFIDENTIAL - FOR CUSTOMER USE ONLY		SCALE = NONE		<b>TITLE: SCHEMATIC</b> <b>16-CHANNEL, 18-/16-/12-BIT SPI +/-15V VOUT DAC WITH 5ppm REFERENCE</b>	
THIS CIRCUIT IS PROPRIETARY TO ANALOG DEVICES AND SUPPLIED FOR USE WITH ANALOG DEVICES PARTS.		SIZE	IC NO.	<b>LTC2688CUJ - 18-/16-/12</b> <b>DEMO CIRCUIT 2873A</b>	
		DATE:	Friday, April 10, 2020	REV.	2
				SHEET	1 OF 1