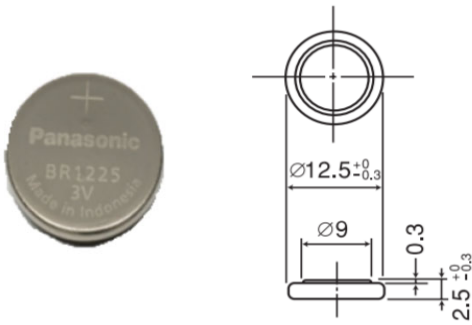


BR1225

BR Coin-type Lithium Battery



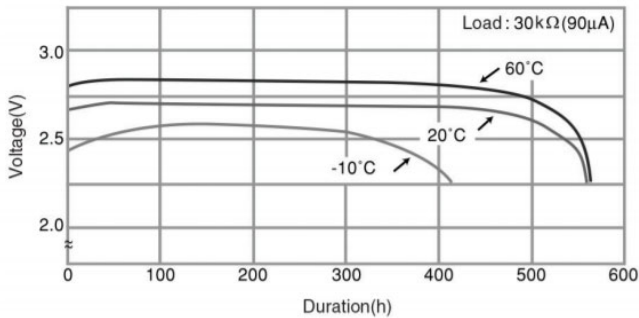
Features & Benefits

- BR series batteries developed with exclusive Panasonic technology
- Exhibits stable performance after long periods in storage due to low self-discharge characteristics
- Primarily used for memory-backup power in low-drain applications

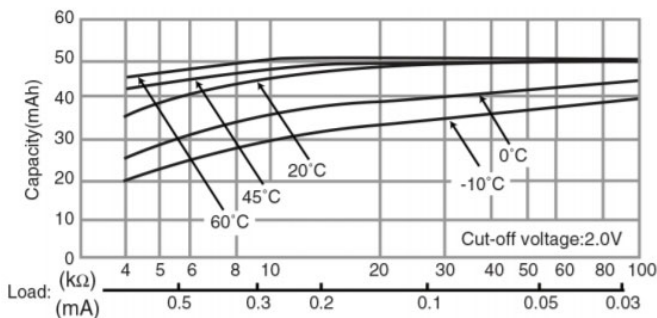
Applications

Commercial equipment(communication/measurement devices), electricity meters, memory backup(security cameras, security sensors), automotive electronic components(ETC), etc.

Discharge temperature characteristics



Capacity vs. load resistance



Specifications

Nominal voltage		3V
Nominal capacity		48mAh
Continuous drain		0.03mA
Dimensions* 1	Diameter(Max.)	12.5mm
	Height(Max.)	2.5mm
Weight*1		Approx. 0.8g
Operating temperature*2		-30°C to +85°C

*1 Without tabs.

*2 Please consult Panasonic when anticipating usage in operating temperatures of 80°C or above.

Terminal types

Please see the documents for the terminal and lead wire settings.

- [Line up of tab terminal types\(by shape\)](#)
- [Line up of tab terminal types\(by product number\)](#)

Operating voltage vs. load resistance (voltage at 50% discharge depth)

