

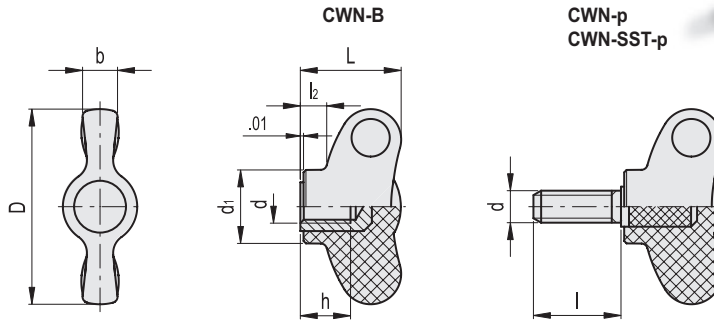
- 1
- 2
- 3
- 4
- 5
- 6
- 7
- 8
- 9
- 10
- 11
- 12
- 13
- 14
- 15
- 16
- 17
- 18

MATERIAL

Glass-fibre reinforced polyamide based (PA) technopolymer, black colour, matte finish.

STANDARD EXECUTIONS

- **CWN-B**: brass boss, threaded blind hole.
- **CWN-p**: zinc-plated steel threaded stud, chamfered flat end according to ISO 4753 (see Technical Data on page A-10).
- **CWN-SST-p**: AISI 303 stainless steel threaded stud, chamfered flat end according to ISO 4753 (see Technical Data on page A-10).



ELESA Original design

CWN-B

INCH

Code	Description	D	d2B	L	d1	l2	b	h	⚖
908601	CWN.32 B-10-32	1.26	10-32	0.65	0.47	0.14	0.24	0.24	0.02
908602	CWN.32 B-1/4-20	1.26	1/4-20	0.65	0.47	0.14	0.24	0.31	0.01
908651	CWN.40 B-1/4-20	1.57	1/4-20	0.83	0.53	0.18	0.26	0.47	0.03
908652	CWN.40 B-5/16-18	1.57	5/16-18	0.83	0.53	0.18	0.26	0.51	0.02

CWN-p

INCH

Code	Description	D	d2A	L	d1	l	l2	b	⚖
908612	CWN.32 p-10-32x1/2	1.26	10-32	0.65	0.47	0.500	0.14	0.24	0.02
908614	CWN.32 p-10-32x3/4	1.26	10-32	0.65	0.47	0.750	0.14	0.24	0.02
908622	CWN.32 p-1/4-20x1/2	1.26	1/4-20	0.65	0.47	0.500	0.14	0.24	0.02
908624	CWN.32 p-1/4-20x3/4	1.26	1/4-20	0.65	0.47	0.750	0.14	0.24	0.02
908626	CWN.32 p-1/4-20x1	1.26	1/4-20	0.65	0.47	1.000	0.14	0.24	0.03
908662	CWN.40 p-5/16-18x3/4	1.57	5/16-18	0.83	0.53	0.750	0.18	0.26	0.03
908664	CWN.40 p-5/16-18x1	1.57	5/16-18	0.83	0.53	1.000	0.18	0.26	0.04
908666	CWN.40 p-5/16-18x1¼	1.57	5/16-18	0.83	0.53	1.250	0.18	0.26	0.05

CWN-SST-p

INOX
STAINLESS
STEEL

INCH

Code	Description	D	d2A	L	d1	l	l2	b	⚖
908712	CWN.32 SST-p-10-32x1/2	1.26	10-32	0.65	0.47	0.500	0.14	0.24	0.02
908714	CWN.32 SST-p-10-32x3/4	1.26	10-32	0.65	0.47	0.750	0.14	0.24	0.02
908722	CWN.32 SST-p-1/4-20x1/2	1.26	1/4-20	0.65	0.47	0.500	0.14	0.24	0.02
908724	CWN.32 SST-p-1/4-20x3/4	1.26	1/4-20	0.65	0.47	0.750	0.14	0.24	0.02
908726	CWN.32 SST-p-1/4-20x1	1.26	1/4-20	0.65	0.47	1.000	0.14	0.24	0.03
908762	CWN.40 SST-p-5/16-18x3/4	1.57	5/16-18	0.83	0.53	0.750	0.18	0.26	0.03
908764	CWN.40 SST-p-5/16-18x1	1.57	5/16-18	0.83	0.53	1.000	0.18	0.26	0.04
908766	CWN.40 SST-p-5/16-18x1¼	1.57	5/16-18	0.83	0.53	1.250	0.18	0.26	0.05