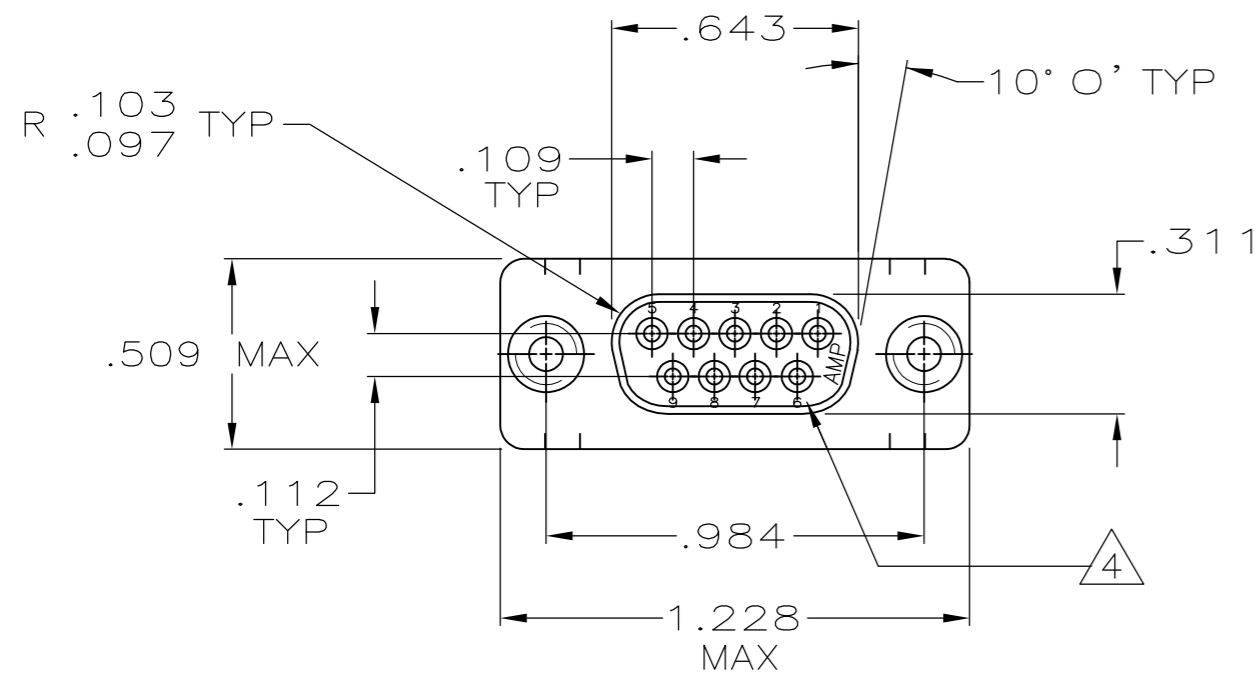
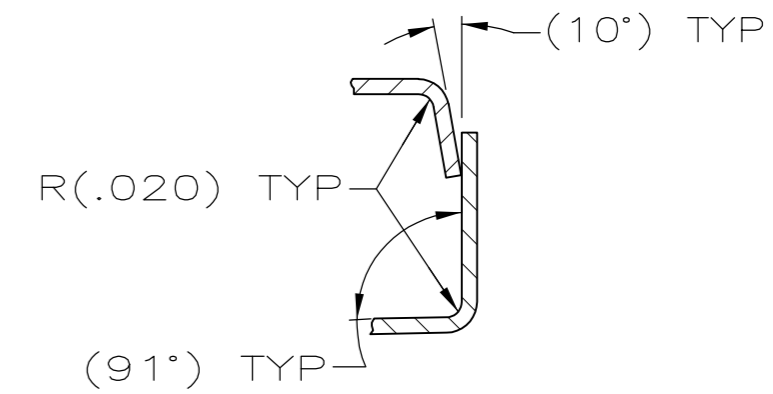


THIS DRAWING IS UNPUBLISHED. RELEASED FOR PUBLICATION
 © COPYRIGHT - By - ALL RIGHTS RESERVED.

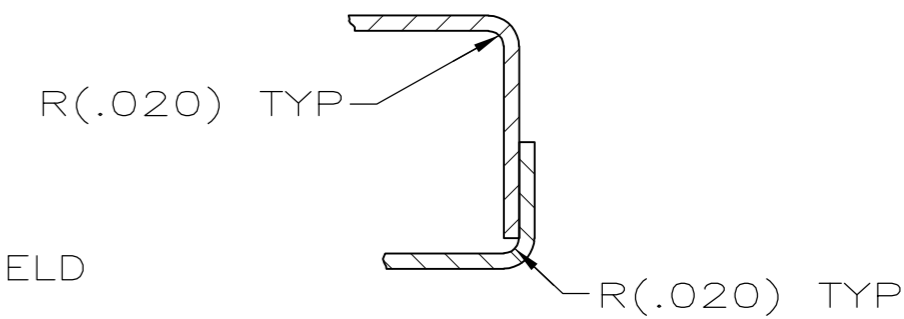
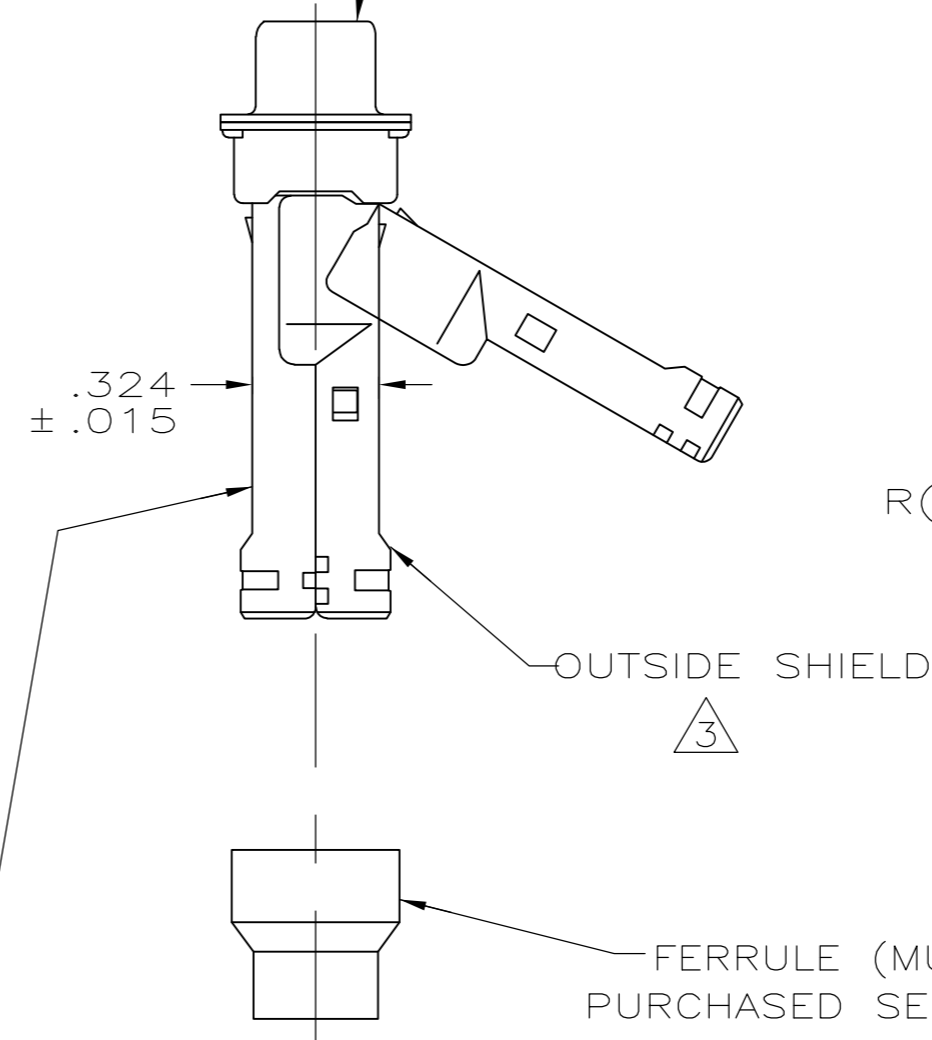
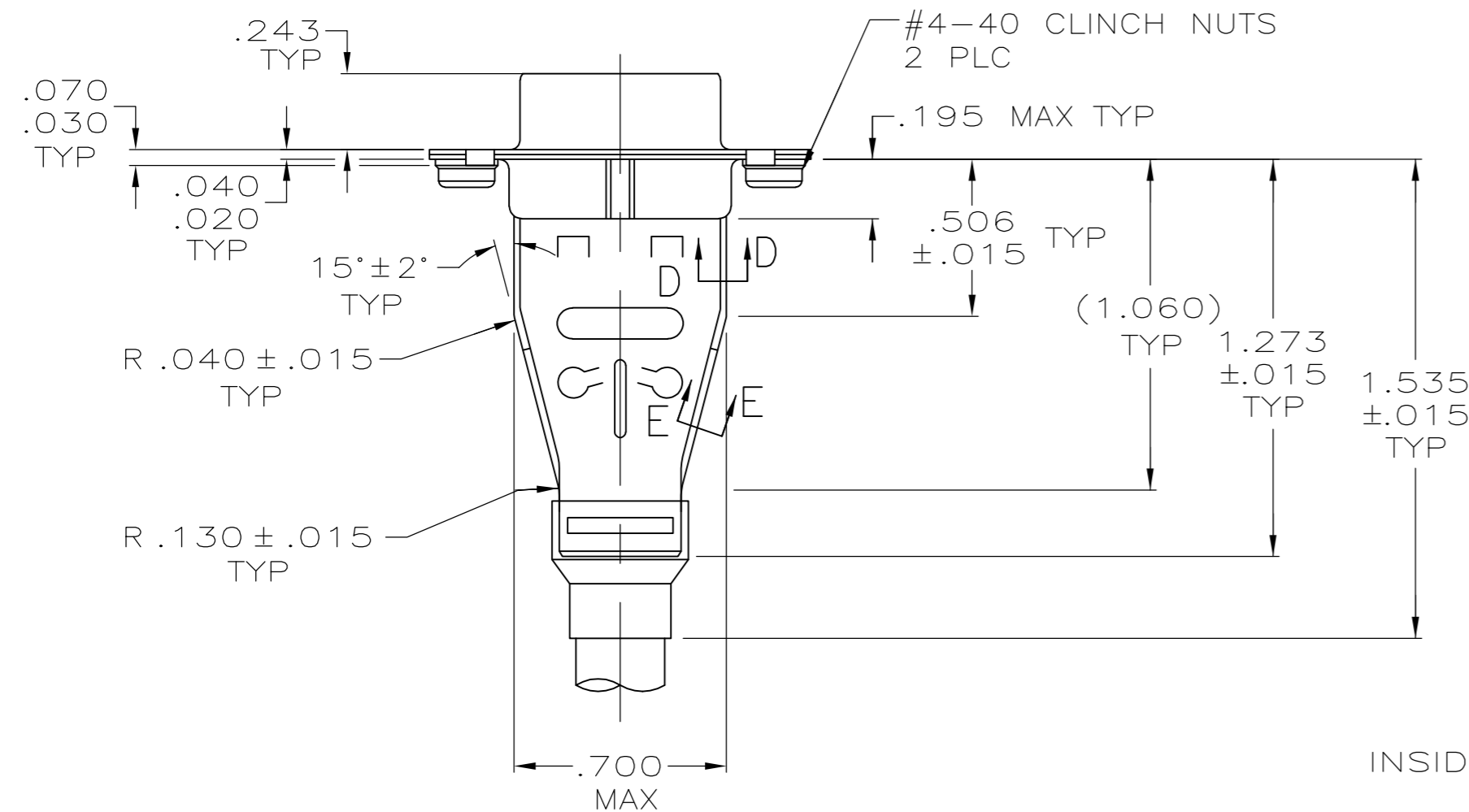
REVISIONS				
P	LTR	DESCRIPTION	DATE	APVD
B		REVISED PER ECO-17-003325	20APR2017	AP DG



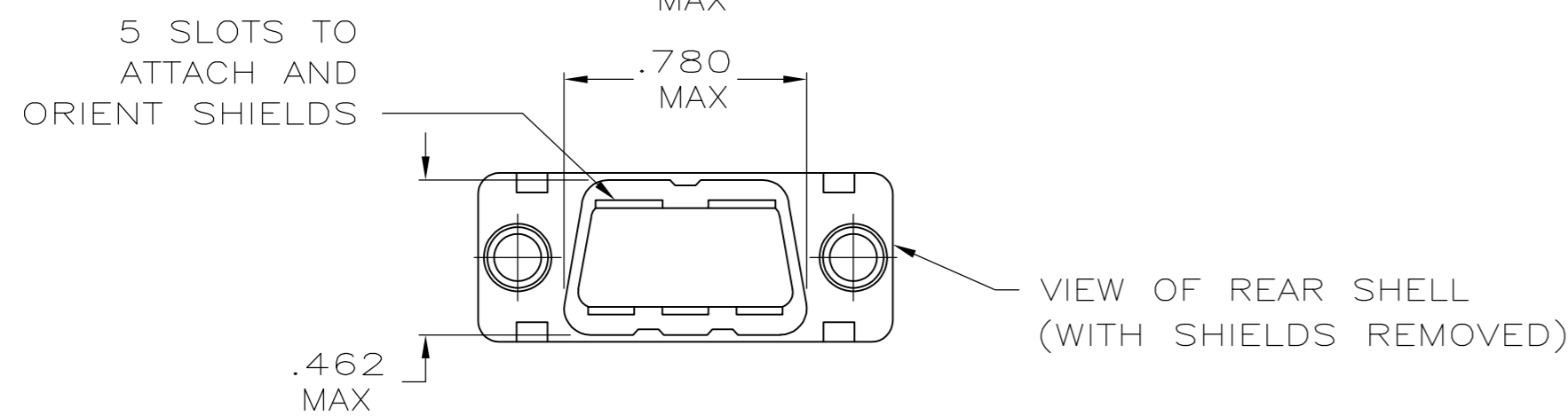
RECEPTACLE CONNECTOR ¹
 INSERTS: GLASS-FILLED PBT OR
 GLASS-FILLED NYLON,
 UL94V-0 RATED.
 COLOR: BLACK.
 SHELLS: STEEL PER ASTM A109
 .000200 MIN TIN PLATE OVER
 .000100 MIN COPPER UNDERPLATE



SECTION D-D
 SCALE 4:1



SECTION E-E
 SCALE 4:1



¹ RECEPTACLE ACCEPTS SIZE 20 SOCKET CONTACTS
 (CONTACTS MUST BE ORDERED SEPARATELY)

2 ALL PARTS SHIPPED UNASSEMBLED, EACH PART INDIVIDUALLY
 BULK PACKED.

³ SHIELDS: MATERIAL—.020 THICK STAINLESS STEEL,

⁴ RAISED CAVITY IDENTIFICATION AND AMP TRADEMARK.

5748536-1

PART
 NUMBER

THIS DRAWING IS A CONTROLLED DOCUMENT.		DWN 11-11-04 G. ATTADIA - DOCK5	TE Connectivity	
DIMENSIONS: INCHES		CHK 11-11-04 J. GERACE		
TOLERANCES UNLESS OTHERWISE SPECIFIED:		APVD 11-11-04 M. WALMSLEY	NAME	
0 PLC ± -	1 PLC ± -	PRODUCT SPEC	KIT, RCPT, SHIELDING HARDWARE, 9 POSN, SIZE 1, W/CLINCH NUTS, AMPLIMITE HDP-20	
2 PLC ± -	3 PLC ± .005	APPLICATION SPEC	SIZE	CAGE CODE
4 PLC ± -	ANGLES ± 0° 30'	114-40030	A2	00779
MATERIAL	FINISH	WEIGHT 0.000000	DRAWING NO C=5748536	
SEE CALL OUT ³	SEE CALL OUT ³	RESTRICTED CUSTOMER	SCALE 2:1	SHEET 1 of 1