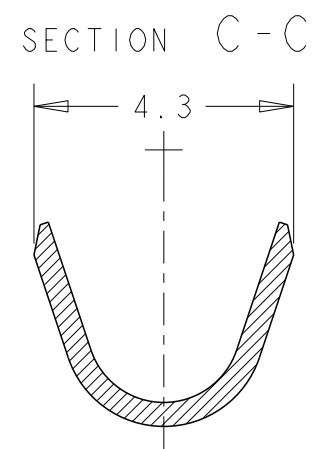
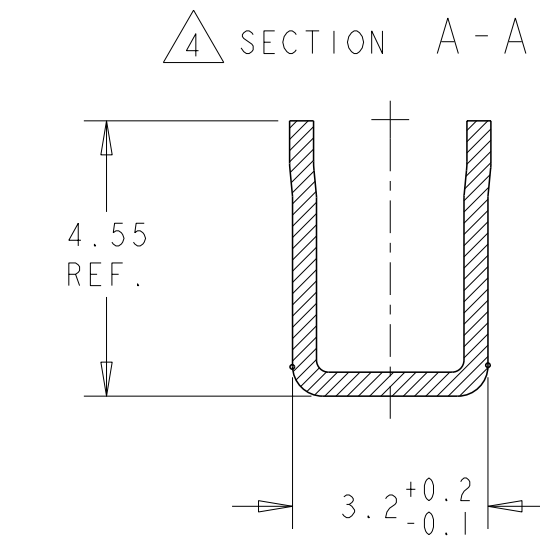
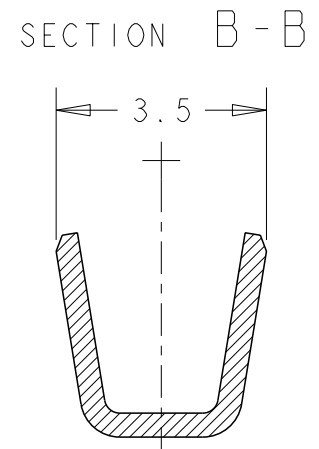
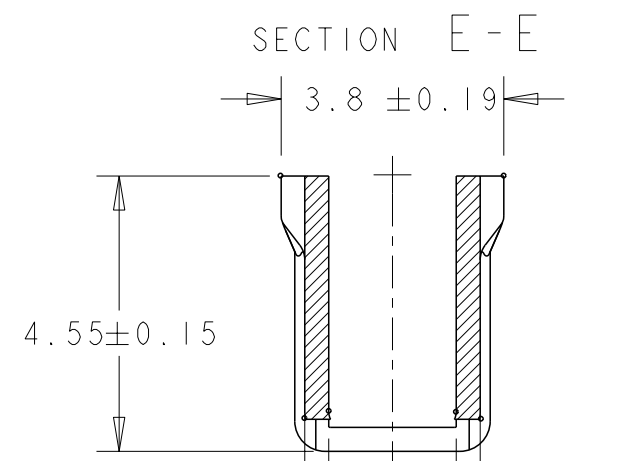
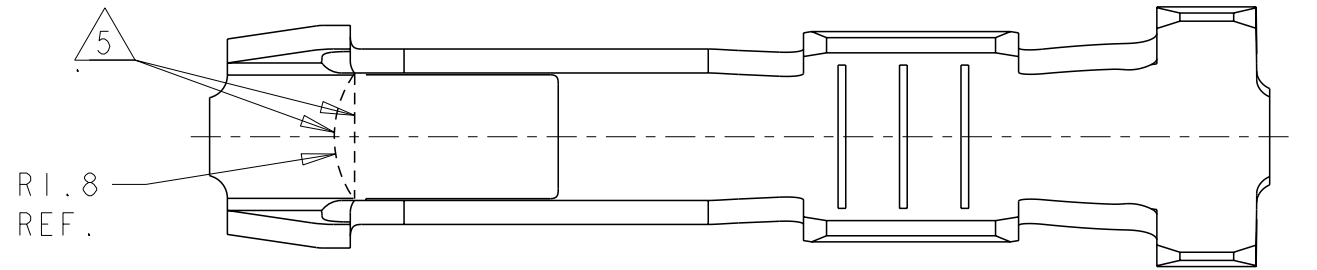


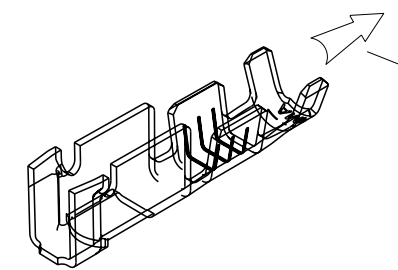
THIS DRAWING IS UNPUBLISHED. RELEASED FOR PUBLICATION  
 © COPYRIGHT ALL RIGHTS RESERVED.

LOC	DIST	REVISIONS			
P	LTR	DESCRIPTION	DATE	DWN	APVD
		A1	REVISED FOR ET00-0081-01	07MAR01	H.Y. C.T.
		B1	3.8+/-0.1 CHANGED TO 3.75+/-0.19	06AUG21	MB TD
		B2	REVISED PER ECR-21-125039	05JAN22	JJ TD



SPESORE BANDELLA (MAT. THK.)  
 .040 ± 0.025

0.3 DIM. MASSIMA DI TAGLIO (MAX. DUE TO APPLICATION CUT-OFF)



SENSO DI USCITA DEL CONTATTO DALLA BOBINA (DIRECTION OFF TOP OF REEL)

NOTES:

- 1 TRADE MARK LOCATED AS SHOWN.
- 2) SUPPLIED IN STRIP ON REEL  
 FORNITO IN STRIP SU BOBINA
- 3) CONTACT AS SHOWN IS SUITABLE FOR HSG. TE AMP P/N 284406-1  
 IL CONTATTO IN OGGETTO E' UTILIZZABILE CON IL CONNETTORE TE AMP P/N 284406-1
- 4 LA SEZIONE E LE RELATIVE DIMENSIONI SONO VALIDE PER UNA LUNGHEZZA DI 1.8mm A PARTIRE DAL FRONTE DEL CONTATTO  
 THIS SECTION AND RELEVANT DIM. ARE APPLICABLE FROM THE FRONT OF THE CONTACT FOR 1.8mm LENGTH
- 5 THIS FEATURE CAN BE STRAIGHT OR WITH RADIUS (NO IMPACT ON PRODUCT PERFORMANCE)

18-16	1.50-2.62	COPPER ALLOY	284633-1
WIRE RANGE (AWG)	INSULATION DIA. RANGE	MATERIAL	PART NO
THIS DRAWING IS A CONTROLLED DOCUMENT.		DWN C.CORDOLA 27LUG2000	
CHK G.TURCO 27LUG2000		APVD G.TURCO 27LUG2000	
DIMENSIONS: mm		TOLERANCES UNLESS OTHERWISE SPECIFIED:	
		0 PLC ± .5 1 PLC ± .3 2 PLC ± .3 3 PLC ± 4 PLC ± ANGLES ± 2°	
MATERIAL SEE TABLE		FINISH STAGNATO TIN PLATED	
WEIGHT		CUSTOMER DRAWING	
NAME SPECIAL REC. CONTACT CLUSTER FOR PIN 2.29 dia .090 DIA		TE Connectivity	
SIZE A3	CAGE CODE C-	DRAWING NO 284633	RESTRICTED TO
SCALE 8:1		SHEET 1 OF 1 REV B2	

Printed on 5 Jan 2022 18:52 (India Standard Time) from TE488870