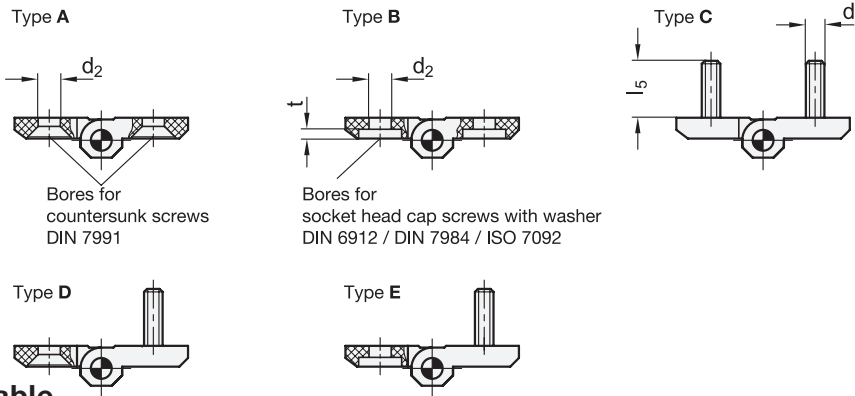


ELESA original design CFM.



**3 Type**

- A** 2x2 bores for countersunk screws
- B** 2x2 bores for socket head cap screws
- C** 2x2 threaded studs
- D** 2x bores for countersunk screws  
2x threaded studs
- E** 2x bores for socket head cap screws  
2x threaded studs

**Metric table**

1	2																
$l_1$	$l_2$	$d_1$ Thread	$d_2$	$d_3$	$h_1$	$h_2$	$h_3$	$h_4 \approx$	$l_3$	$l_4$	$l_5$	$m_1 \pm 0.2$	$m_2 \pm 0.2$	$m_3$	$m_4$	$t$	
30*	30	-	4.5	2.5	7	3.5	4	8	10.5	10.5	-	18	18	9	9	1.3	
1.18	1.18		0.18	0.10	0.28	0.14	0.16	0.31	0.41	0.41		0.71	0.71	0.35	0.35	0.05	
40	40	M 5	5.5	4	9	5	5.5	11	14	14	12	25	25	12.5	12.5	1.7	
1.57	1.57		0.22	0.16	0.35	0.20	0.22	0.43	0.55	0.55	0.47	0.98	0.98	0.49	0.49	0.07	
50	50	M 6	6.5	6	11.5	6	6.5	14	18	18	12	30	30	15	15	3	
1.97	1.97		0.26	0.24	0.45	0.24	0.26	0.55	0.71	0.71	0.47	1.18	1.18	0.59	0.59	0.12	
60	60	M 8	8.5	8	15	8	8.5	18	21	21	14.5	36	36	18	18	4	
2.36	2.36		0.33	0.31	0.59	0.31	0.33	0.71	0.83	0.83	0.57	1.42	1.42	0.71	0.71	0.16	
63**	50	-	6.5	6	11.5	6	6.5	14	18	31	-	43	30	15	28	-	
2.48	1.97		0.26	0.24	0.45	0.24	0.26	0.55	0.71	1.22		1.69	1.18	0.59	1.10		
76**	50	-	6.5	6	11.5	6	6.5	14	31	31	-	56	30	28	28	-	
2.99	1.97		0.26	0.24	0.45	0.24	0.26	0.55	1.22	1.22		2.20	1.18	1.10	1.10		

Dimensions in: millimeters - inches

**Specification**

- Body  
Plastic  
Technopolymer (Polyamide PA-HP)  
- Glass fiber reinforced  
- Black, matte finish  
- White, RAL 9002, matte finish (only Type A)  
- Temperature resistant up to 285 °F (140 °C)
- Pin  
Stainless steel  
European Standard No. 1.4305 (AISI 303)
- Threaded studs  
Steel, nickel-plated
- RoHS compliant

**Information**

- see also...
- List of Hinge Types
  - Hinges GN 237 (Zinc Die-Cast / Stainless Steel / Aluminum)
  - Lift-Off Hinges EN 337.1 (Lift-Off)
  - Spacer Plates GN 2370
  - Spacer Plates with Tapped Holes GN 2372
  - Limit Stops GN 2374

\* Only available in black, Type A and Type B \*\* Only available in Type A

How to order (Black)	1	Width $l_1$
EN 237.1-40-40-C	2	Length $l_2$
	3	Type
How to order (White)	1	Width $l_1$
EN 237.1-50-50-A-WS	2	Length $l_2$
	3	Type
	4	Color