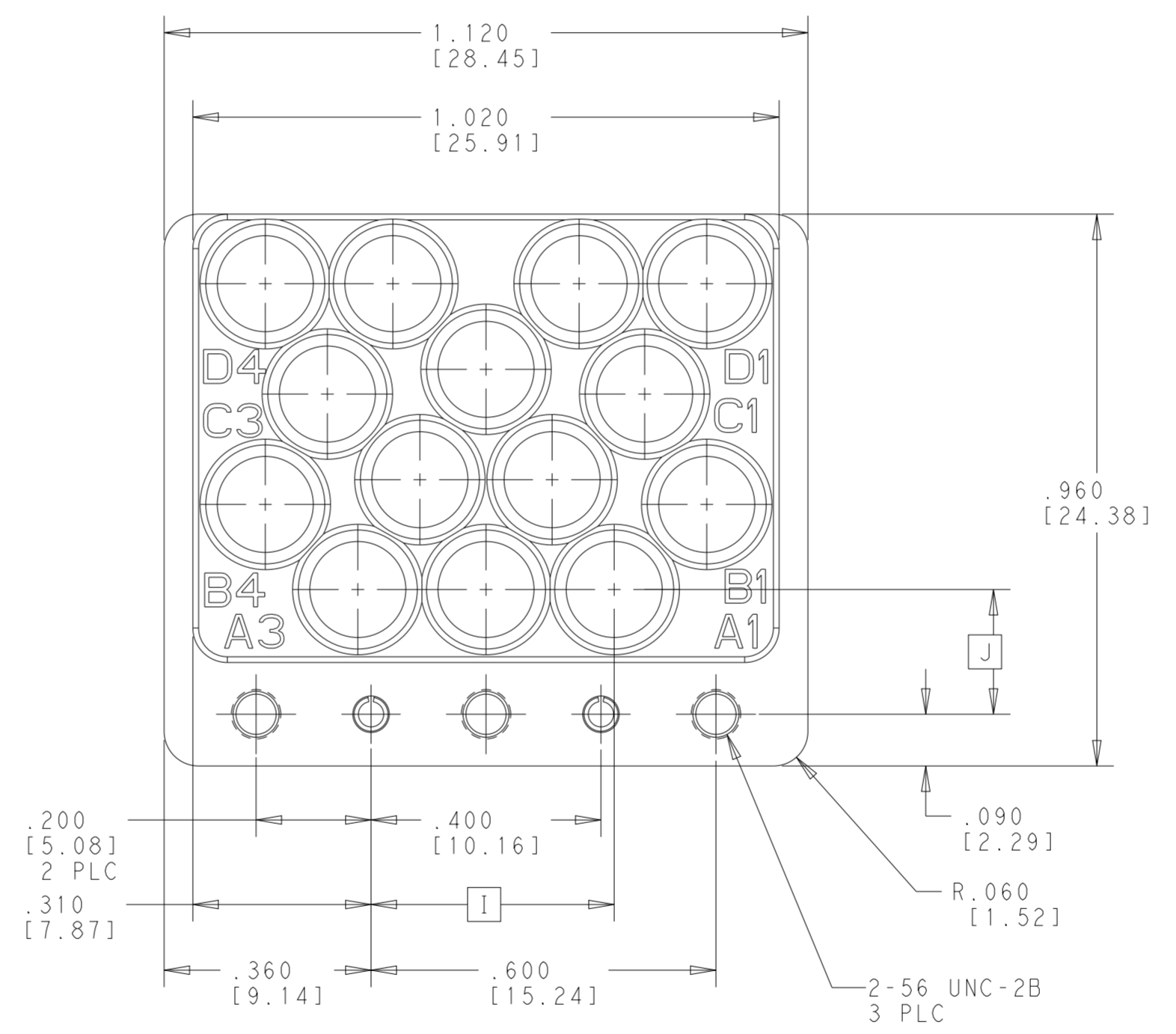
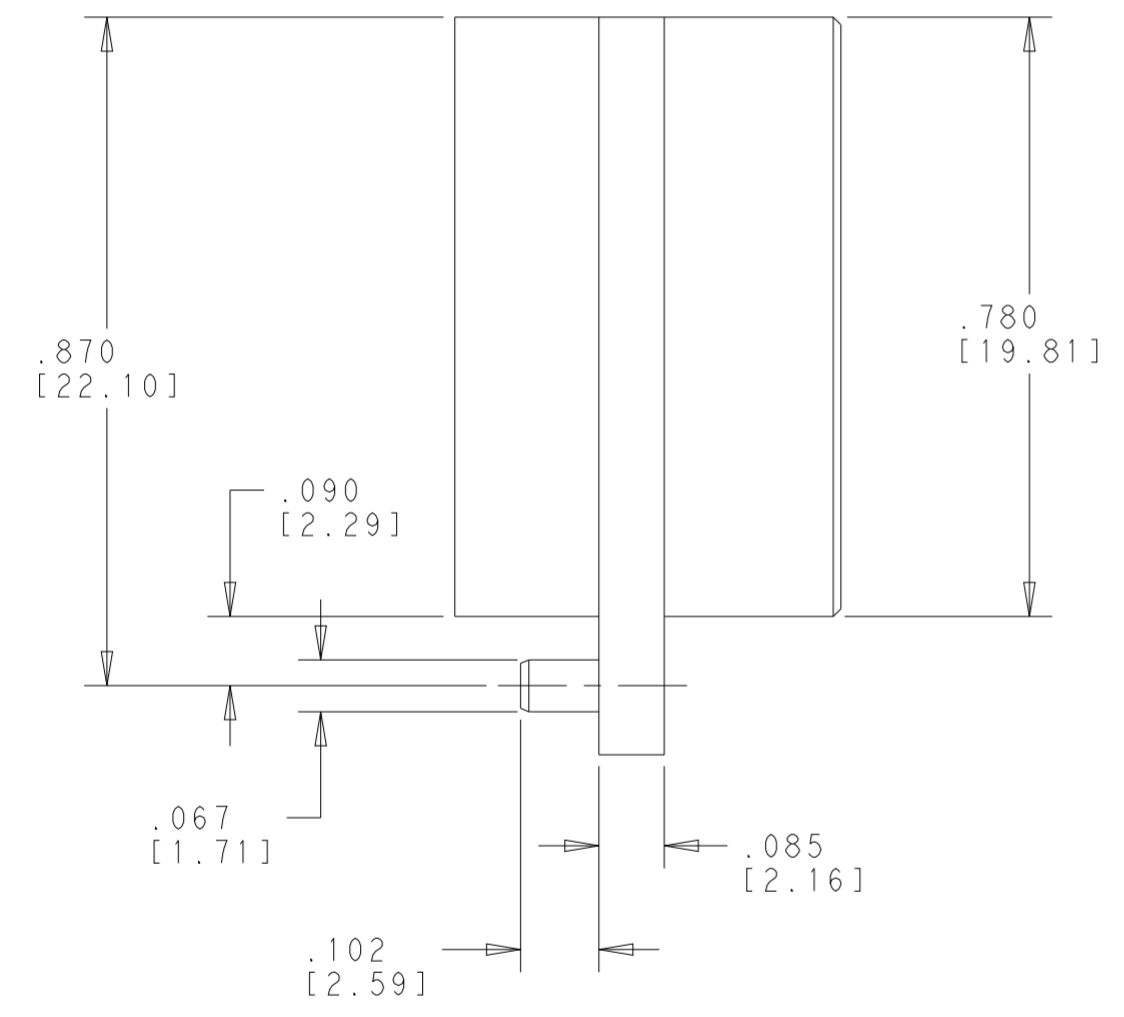
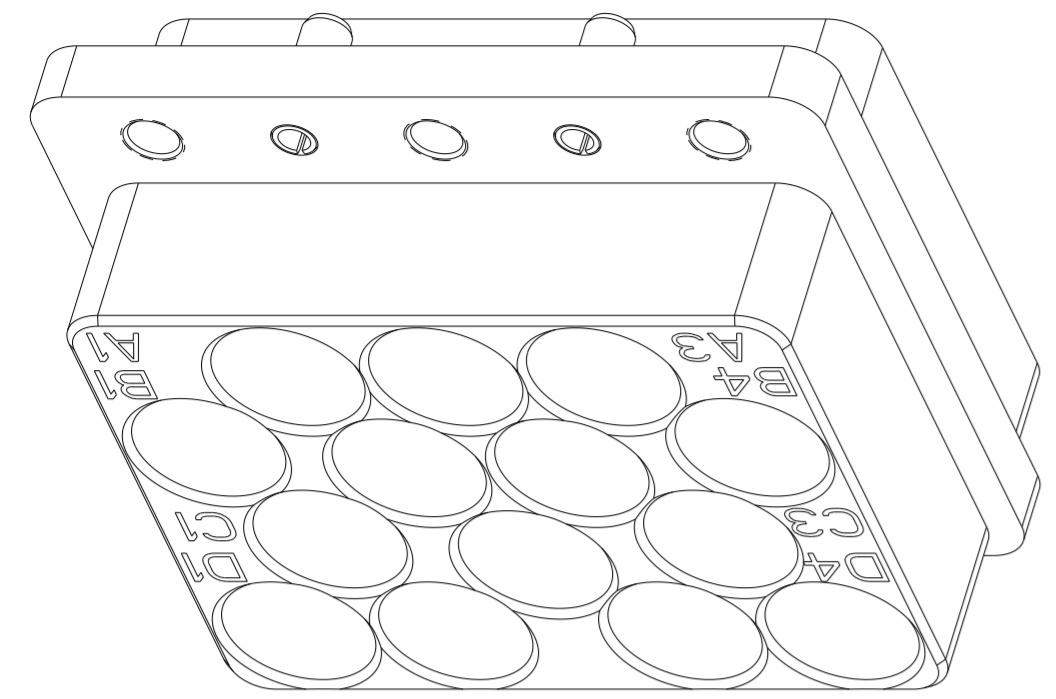


THIS DRAWING IS UNPUBLISHED. RELEASED FOR PUBLICATION 20  
 © COPYRIGHT 20 BY - ALL RIGHTS RESERVED.

REVISIONS				
P	LTR	DESCRIPTION	DATE	APVD
A		INITIAL RELEASE	16AUG2021	KM CG



HOLE CHART		
HOLE ID	I	J
A1	.423 [10.74]	.217 [5.51]
A2	.200 [5.08]	.217 [5.51]
A3	-.023 [-0.58]	.217 [5.51]
B1	.584 [14.83]	.365 [9.27]
B2	.315 [8.00]	.408 [10.36]
B3	.085 [2.16]	.408 [10.36]
B4	-.184 [-4.67]	.365 [9.27]
C1	.476 [12.09]	.557 [14.15]
C2	.200 [5.08]	.600 [15.24]
C3	-.076 [-1.93]	.557 [14.15]
D1	.584 [14.83]	.749 [19.03]
D2	.362 [9.20]	.749 [19.03]
D3	.038 [0.97]	.749 [19.03]
D4	-.184 [-4.67]	.749 [19.03]

MATERIALS		
COMPONENT	MATERIAL	FINISH
HOUSING	TYPE 303 STAINLESS STEEL	PASSIVATED
SPRING PIN	NICKEL STAINLESS STEEL	PASSIVATED

2361107-1  
PART NUMBER

THIS DRAWING IS A CONTROLLED DOCUMENT.

DWN: L. SIPE 13AUG2019  
 CHK: C. GINGRICH 13AUG2019  
 APVD: -

PRODUCT SPEC: 108-163026  
 APPLICATION SPEC: 114-32004

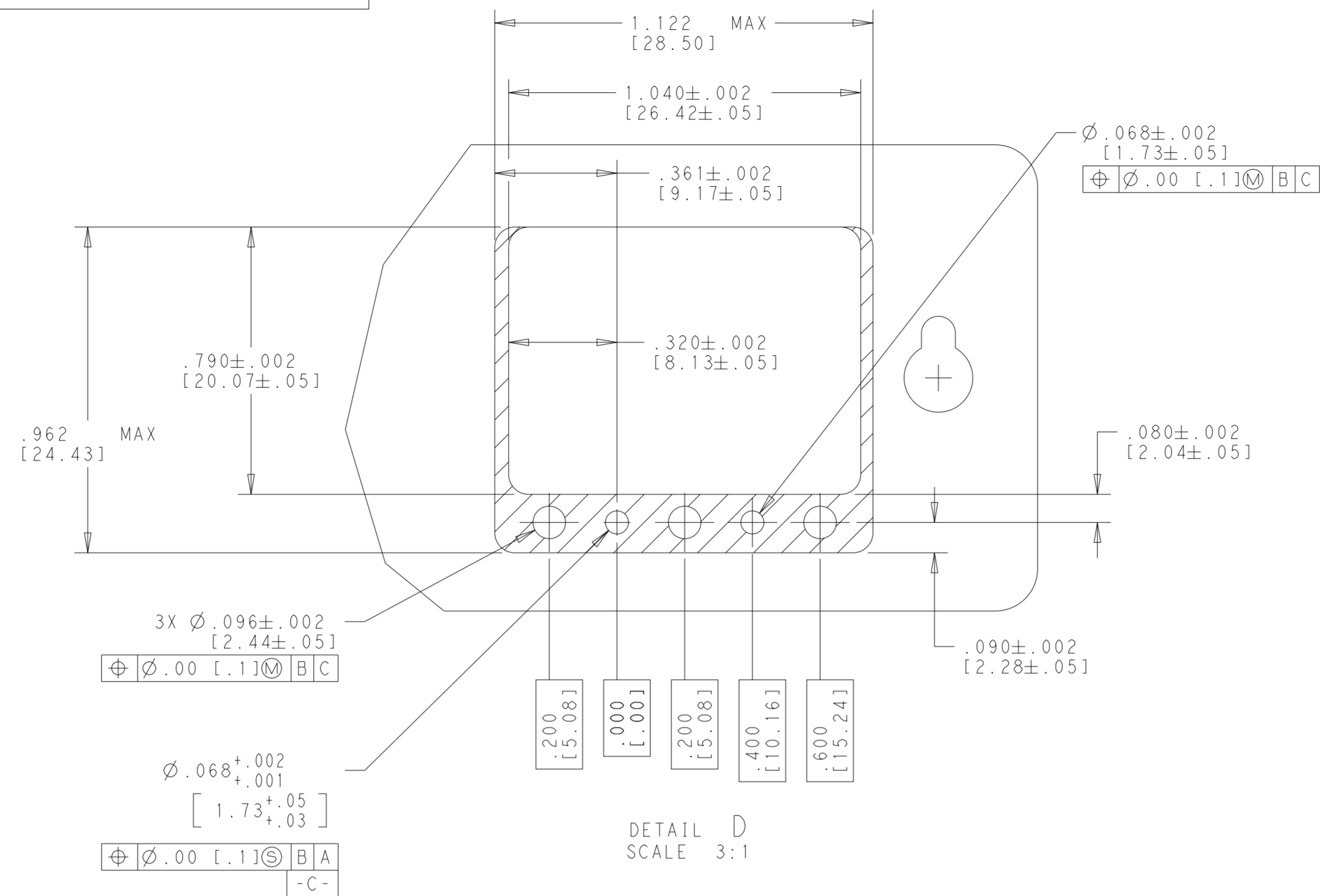
NAME: MODULE, 14 POSITION, SMPM VITA 67.3 TYPE A, BACKPLANE

SIZE: A2 CAGE CODE: 00779 DRAWING NO: C-2361107 RESTRICTED TO: -

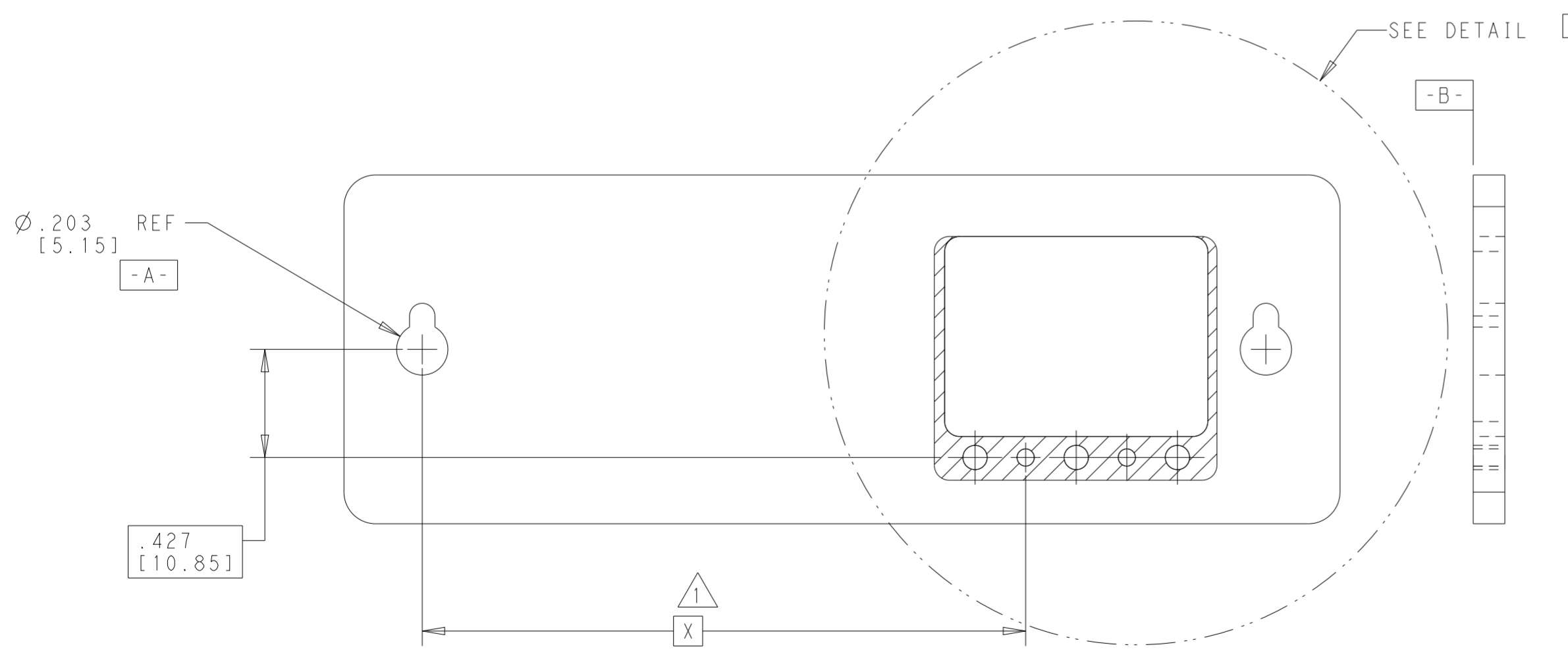
MATERIAL: - FINISH: - WEIGHT: - CUSTOMER DRAWING SCALE: 4:1 SHEET: 1 OF 2 REV: A

THIS DRAWING IS UNPUBLISHED. RELEASED FOR PUBLICATION 20  
 © COPYRIGHT 20 BY - ALL RIGHTS RESERVED.

REVISIONS				
P	LTR	DESCRIPTION	DATE	APVD
-	-	SEE SHEET 1	-	-



DETAIL D  
SCALE 3:1



SEE VITA 67 SPECIFICATIONS FOR CONNECTOR LOCATION ON BACKPLANE PCB.

THIS DRAWING IS A CONTROLLED DOCUMENT.		DWN L. SIPE 13AUG2019	TE Connectivity	
DIMENSIONS: INCHES [mm]		CHK C. GINGRICH 13AUG2019		
TOLERANCES UNLESS OTHERWISE SPECIFIED:		APVD -	NAME MODULE, 14 POSITION, SMPM VITA 67.3 TYPE A, BACKPLANE	
0 PLC ±		PRODUCT SPEC -	SIZE A200779	
1 PLC ±		APPLICATION SPEC -	CAGE CODE C-2361107	
2 PLC ±		WEIGHT -	DRAWING NO -	
3 PLC ±.005 [0.13]		CUSTOMER DRAWING	RESTRICTED TO -	
4 PLC ±.0005 [0.013]		SCALE 4:1	SHEET 2 OF 2	
ANGLES ±		REV A		
FINISH -				