

Notes

1. MATERIAL: REFER TO TABLES.
2. PACKAGE SPEC. REFER TO PK OF 2128600001
3. PRODUCT SPEC. REFER TO PS OF 2144150001
4. APPLICATION SPEC. REFER TO AS OF 2144150001

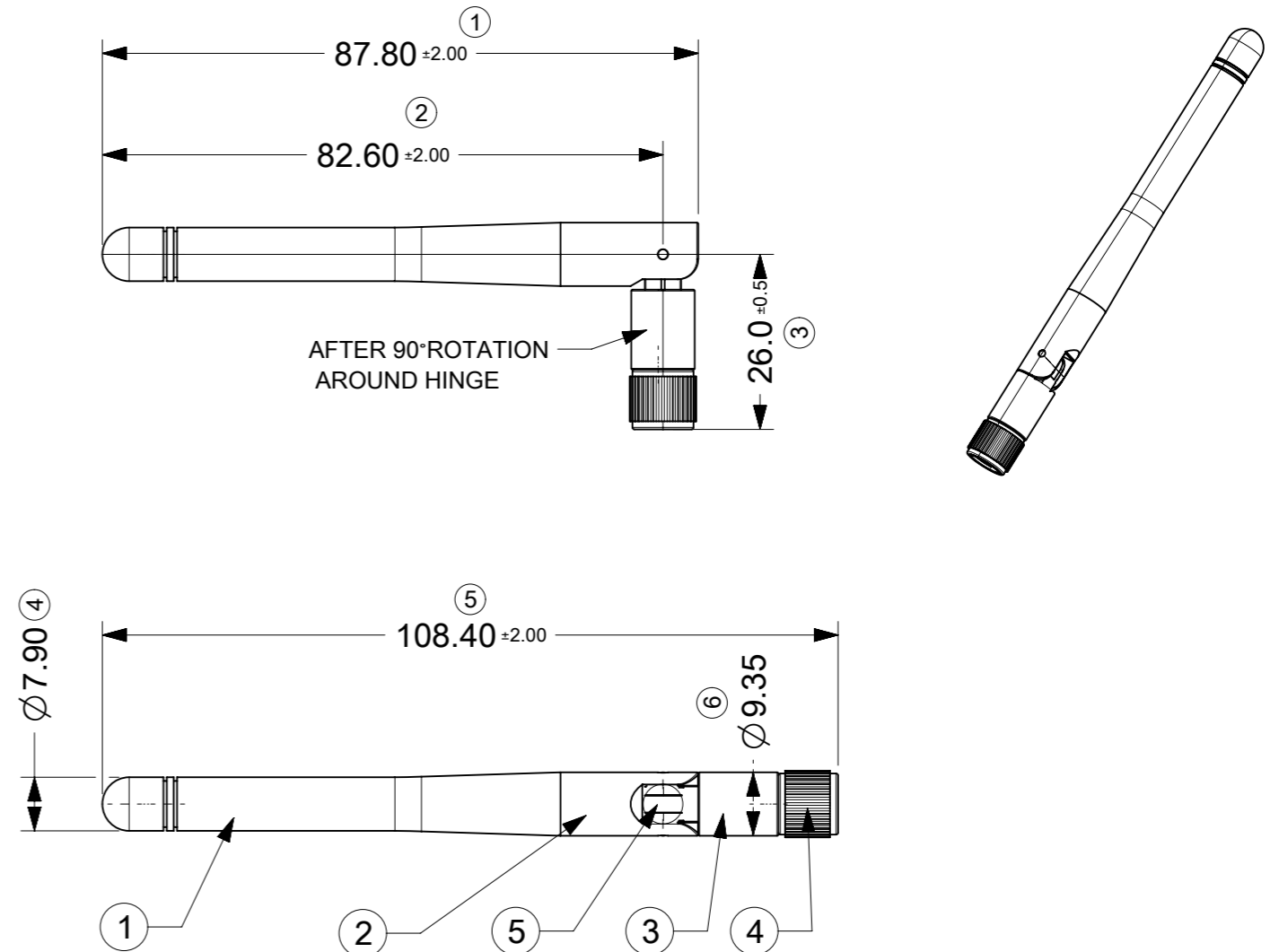
PN:2144150001--MOLEX WIFI/BT ANTENNA HINGED (BLACK, SMA-M)			
NO.	DESCRIPTION	MATERIAL	Q'TY
1	ANTENNA CAP	TPEE, COLOR: BLACK	1
2	UPPER BASE	PBT+PC,COLOR:BLACK	1
3	BOTTOM BASE	PBT+PC, COLOR: BLACK	1
4	CONNECTOR	SMA-MALE STRAIGHT PLUG FOR RG-178	1
5	CABLE	RG-178 CABLE TRANSPARENCY BROWN,50Ω	1

PN:2144150011--MOLEX WIFI/BT ANTENNA HINGED (BLACK, RP-SMA-M)			
NO.	DESCRIPTION	MATERIAL	Q'TY
1	ANTENNA CAP	TPEE, COLOR: BLACK	1
2	UPPER BASE	PBT+PC,COLOR:BLACK	1
3	BOTTOM BASE	PBT+PC, COLOR: BLACK	1
4	CONNECTOR	RP-SMA-MALE STRAIGHT PLUG	1
5	CABLE	RG-178 CABLE TRANSPARENCY BROWN,50Ω	1

PN:2144151001--MOLEX WIFI/BT ANTENNA HINGED (WHITE, SMA-M)			
NO.	DESCRIPTION	MATERIAL	Q'TY
1	ANTENNA CAP	TPEE, COLOR: WHITE	1
2	UPPER BASE	PBT+PC,COLOR:WHITE	1
3	BOTTOM BASE	PBT+PC, COLOR: WHITE	1
4	CONNECTOR	SMA-MALE STRAIGHT PLUG FOR RG-178	1
5	CABLE	RG-178 CABLE TRANSPARENCY BROWN,50Ω	1

PN:2144151011--MOLEX WIFI/BT ANTENNA HINGED (WHITE,RP- SMA-M)			
NO.	DESCRIPTION	MATERIAL	Q'TY
1	ANTENNA CAP	TPEE, COLOR: WHITE	1
2	UPPER BASE	PBT+PC,COLOR:WHITE	1
3	BOTTOM BASE	PBT+PC, COLOR: WHITE	1
4	CONNECTOR	RP-SMA-MALE STRAIGHT PLUG FOR RG-178	1
5	CABLE	RG-178 CABLE TRANSPARENCY BROWN,50Ω	1

REV	CHANGE HISTORY	DATE
A	FIRST RELEASE	20191009
B	NO DRAWING CONTENT CHANGE,JUST CHANGE THE DRAWING TYPE	20191122
C	UPDATE BOM DESCRIPTION	2022/05/24
D	UPDATED DIMENSION#3(FROM 25.8MM TO 26MM)	2022/07/18



CONFIGS	PN	DESCRIPTION
1	2144150001	MOLEX WIFI/BT ANTENNA HINGED (BLACK, SMA-M)
2	2144150011	MOLEX WIFI/BT ANTENNA HINGED (BLACK, RP-SMA-M)
3	2144151001	MOLEX WIFI/BT ANTENNA HINGED (WHITE, SMA-M)
4	2144151011	MOLEX WIFI/BT ANTENNA HINGED (WHITE, RP-SMA-M)

SYMBOLS DIMENSION UNITS: mm SCALE: 1:1 GENERAL TOLERANCES (UNLESS SPECIFIED): ANGULAR TOL: ± ° 4 PLACES: ± 3 PLACES: ± 0.2 2 PLACES: ± 0.3 1 PLACE: ± 0.4 0 PLACES: ± DRAFT WHERE APPLICABLE MUST REMAIN WITHIN DIMENSIONS THIRD ANGLE PROJECTION:	THIS DRAWING CONTAINS INFORMATION THAT IS PROPRIETARY TO MOLEX ELECTRONIC TECHNOLOGIES, LLC AND SHOULD NOT BE USED WITHOUT WRITTEN PERMISSION CURRENT REV DESC:				
	EC NO: 714684 DRWN: KCHENG06 2022/07/18 CHK'D: HORACM1 2022/07/22 APPR: HORACM1 2022/07/22				
	INITIAL REVISION: DRWN: CZHOU05 2019/10/17 APPR: XJSONG 2019/10/28		PRODUCT CUSTOMER DRAWING		
	DOCUMENT NUMBER: 2144150001 MATERIAL NUMBER: SEE TABLE CUSTOMER:		DOC TYPE: PSD DOC PART: SD REVISION: D SHEET NUMBER: 1 OF 1		