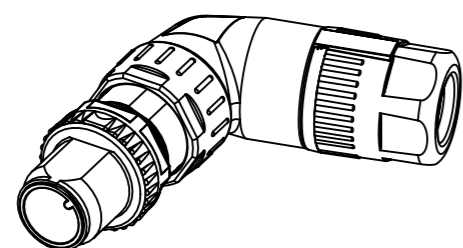
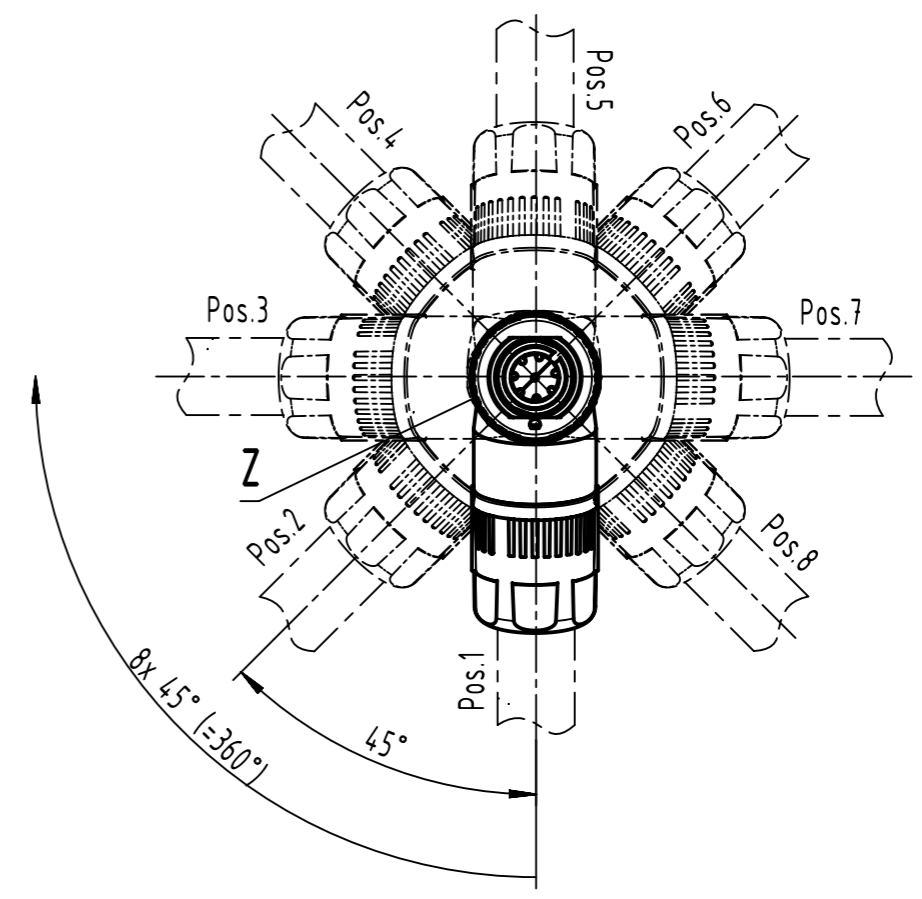
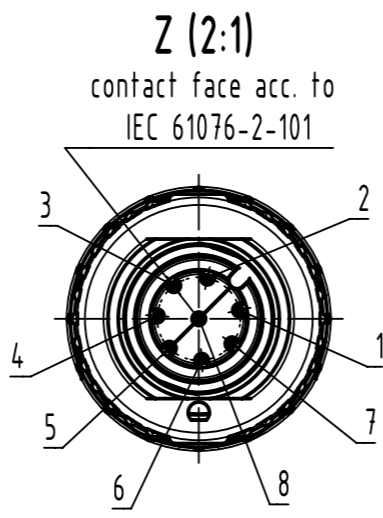

 assembly aid enclosed



order contacts separately

cable Ø	wire gauge	contact part-no.
5,7-8,8mm	AWG 26-23	21 01 100 9020

 All rights reserved Department EL PD HARTING D-32339 Espelkamp	All Dimensions in mm Original Size DIN A3	Scale 1:1 Free size tol.	Ref. Sub.	Created by BALSAN Inspected by PRIESTER Standardisation 302077 Date 2021-04-15 State Final Release	Title M12 SD A-cod 8-pol angled male Type TB Number 21038213805	Doc-Key / ECM-Nr. 100591026/UGD/002/J 500000193229 Rev. J Page 1/1
	HARTING logo and text					