

PLEASE CHECK WWW.MOLEX.COM FOR LATEST PART INFORMATION

Part Number: [1718260100](#)
Status: **Active**
Overview: [Super Sabre Connector System](#)
Description: [Super Sabre Male Crimp Terminal](#)

Documents:

Drawing (PDF)	Test Summary TS-171825-001-001 (PDF)
Product Specification PS-171825-001-001 (PDF)	RoHS Certificate of Compliance (PDF)
Packaging Specification 1718260000-PK-000 (PDF)	

General

Product Family	Crimp Terminals
Series	171826
Application	Power, Signal, Wire-to-Wire
Crimp Quality Equipment	Yes
Overview	Super Sabre Connector System
Product Name	Super Sabre
UPC	887191539348

Physical

Gender	Male
Material - Metal	Copper
Material - Plating Mating	Silver
Material - Plating Termination	Matte Tin, Nickel
Net Weight	0.746/g
Packaging Type	Reel
Wire Insulation Diameter	n/a
Wire Size AWG	10, 12
Wire Size mm ²	N/A

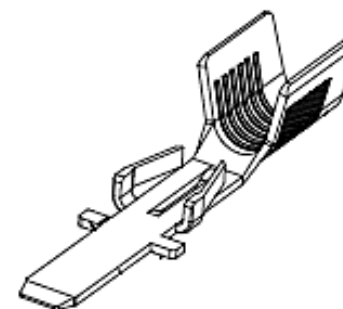
Solder Process Data

Lead-freeProcess Capability	N/A
-----------------------------	-----

Material Info

Reference - Drawing Numbers

Packaging Specification	1718260000-PK-000
Product Specification	PS-171825-001-001
Sales Drawing	SD-171826-001-000
Test Summary	TS-171825-001-001



Series image - Reference only

EU ELV

Compliant

EU RoHS

Compliant

REACH SVHC

Not Contained Per -
ED/71/2019 (16 July
2019)

Halogen-Free

Status

Low-Halogen

For more information, please visit [Contact US](#)

China ROHS

ELV

RoHS Phthalates

China RoHS

Green Image

Compliant

Not Contained

Search Parts in this Series

[171826](#) Series

Use With

[43680](#) 7.50mm Pitch Sabre Plug Crimp Housing
[172673](#) 7.50mmPitch Super Sabre Plug Crimp Housing

Application Tooling | FAQ

Tooling specifications and manuals are found by selecting the products below. Crimp Height Specifications are then contained in the Application Tooling Specification document.

Global

Description	Product #
Hand Tool for Super-Sabre Crimp Terminals	638271600
Hand Tool for Super-Sabre Crimp Terminals	638271700
Mini-Mac Applicator for Super Sabre Male Terminals	638953300

This document was generated on 09/18/2019

PLEASE CHECK WWW.MOLEX.COM FOR LATEST PART INFORMATION