

Metal protective cap - RC-Z2104 - 1604260


Please be informed that the data shown in this PDF Document is generated from our Online Catalog. Please find the complete data in the user's documentation. Our General Terms of Use for Downloads are valid (<http://phoenixcontact.com/download>)



Metal protection cap for signal connectors with M23 external thread



Key Commercial Data

Packing unit	10 pc
Minimum order quantity	10 pc
GTIN	 4 0 4 6 3 5 6 2 4 8 3 3 4
GTIN	4046356248334

Technical data

General

Type of locking	M23
-----------------	-----

Ambient conditions

Degree of protection	IP67
----------------------	------

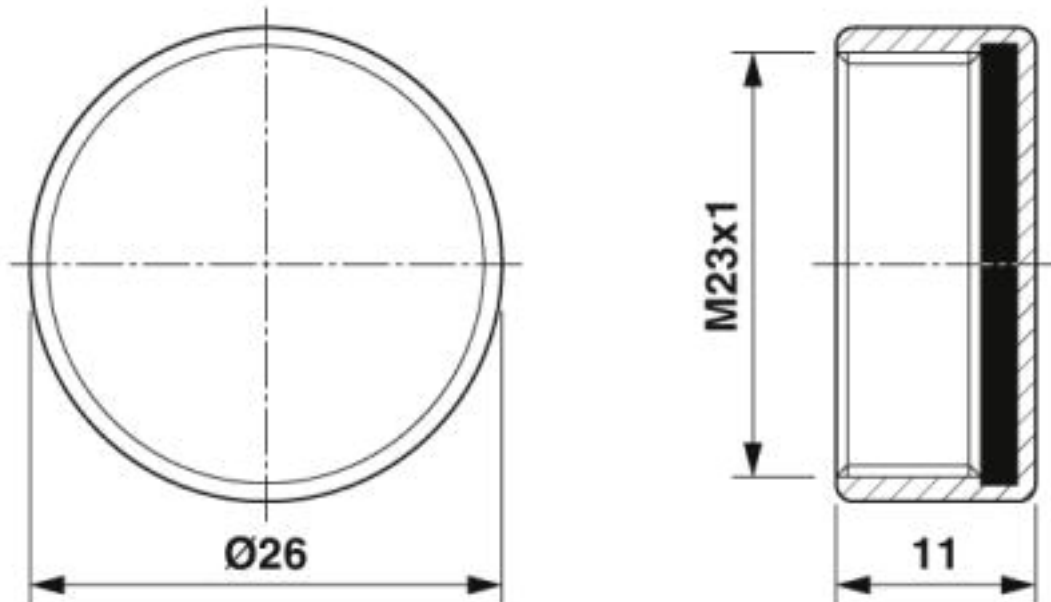
Environmental Product Compliance

	Lead 7439-92-1
China RoHS	Environmentally Friendly Use Period = 50
	For details about hazardous substances go to tab "Downloads", Category "Manufacturer's declaration"

Drawings

Metal protective cap - RC-Z2104 - 1604260

Dimensional drawing



Phoenix Contact 2019 © - all rights reserved
<http://www.phoenixcontact.com>

PHOENIX CONTACT GmbH & Co. KG
Flachsmarktstr. 8
32825 Blomberg
Germany
Tel. +49 5235 300
Fax +49 5235 3 41200
<http://www.phoenixcontact.com>