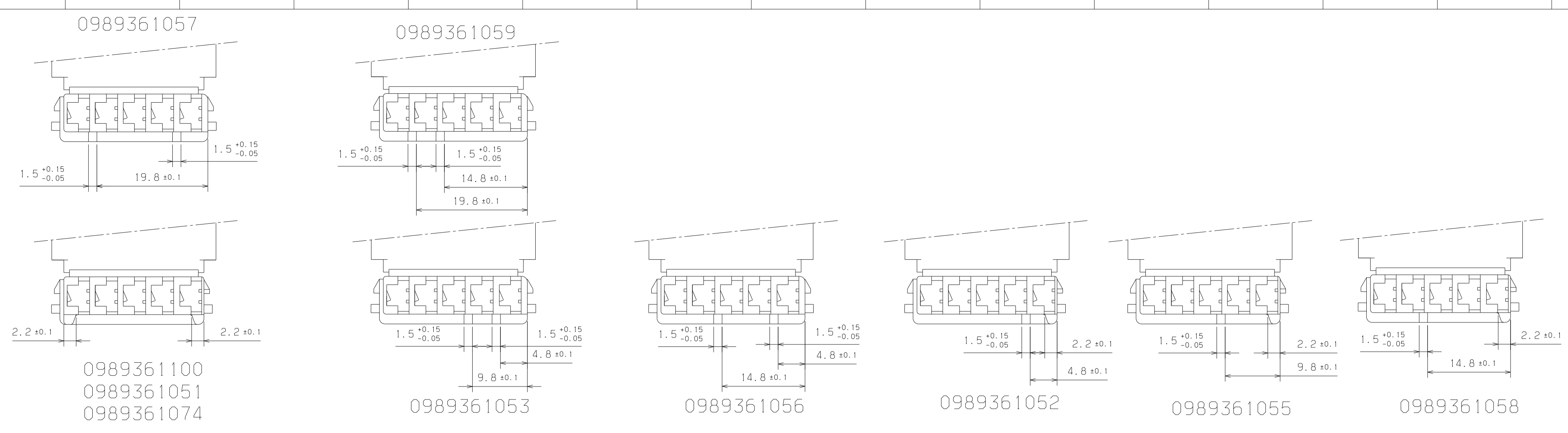
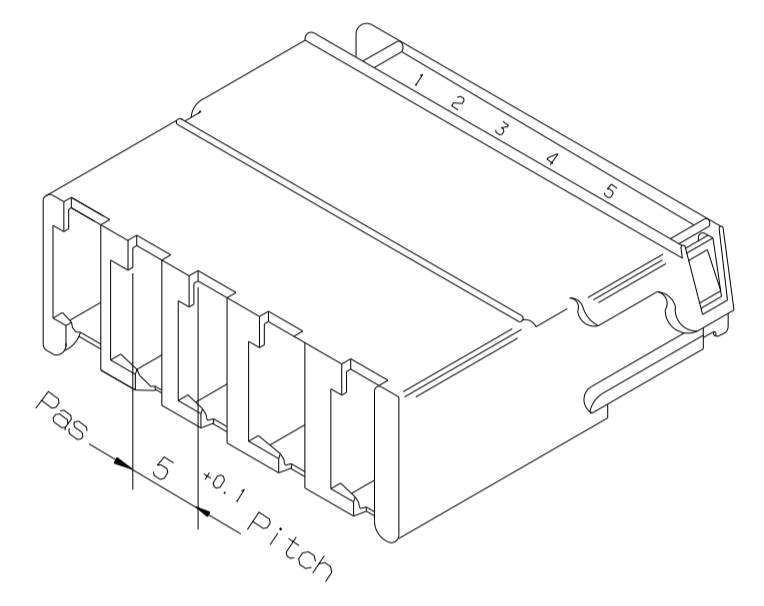
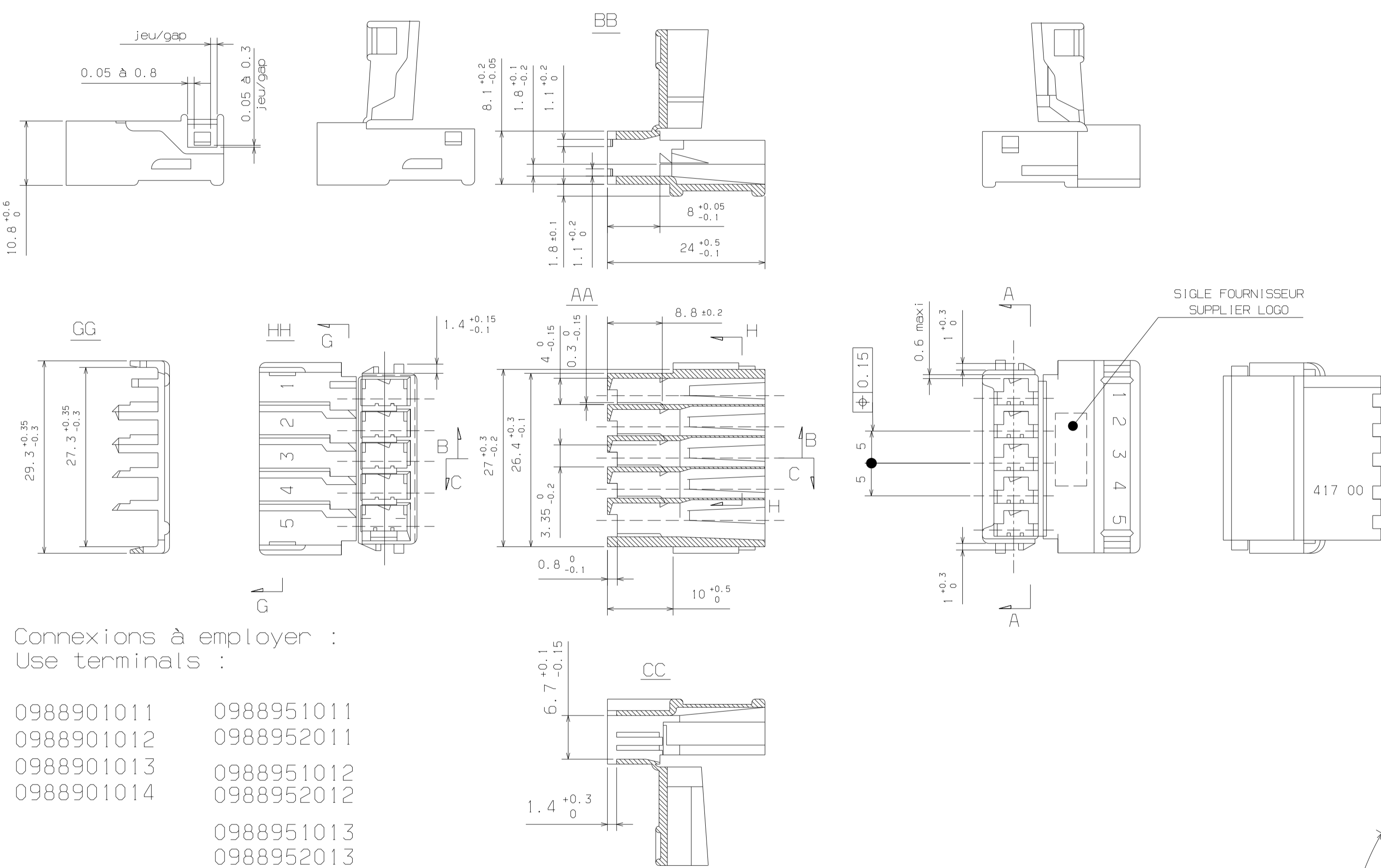


FROM DRAWING P/N 417-2... IND.P 95/05/08  
 P CHANGE PART NUMBERS, SUPPLIER LOGO AND DRAWING FRAME 05/09/23  
 P2 CHANGE P/N 0989361050 to 0989361100, 0989361054 to 0989361074 2012/11/21  
 P3 UPDATE MODEL MANAGER FOR PDF 2012/11/29



Marron	0989361059	Chesnut	PA 6.6
Violet	0989361057	Purple	
Gris	0989361058	Grey	
Vert	0989361055	Green	
Rouge	0989361052	Red	
Bleu	0989361056	Blue	
Orange	0989361053	Orange	
Jaune	0989361074	Yellow	
Noir	0989361051	Black	
Naturel	0989361100	Natural	
Couleur	Référence	Color	Material

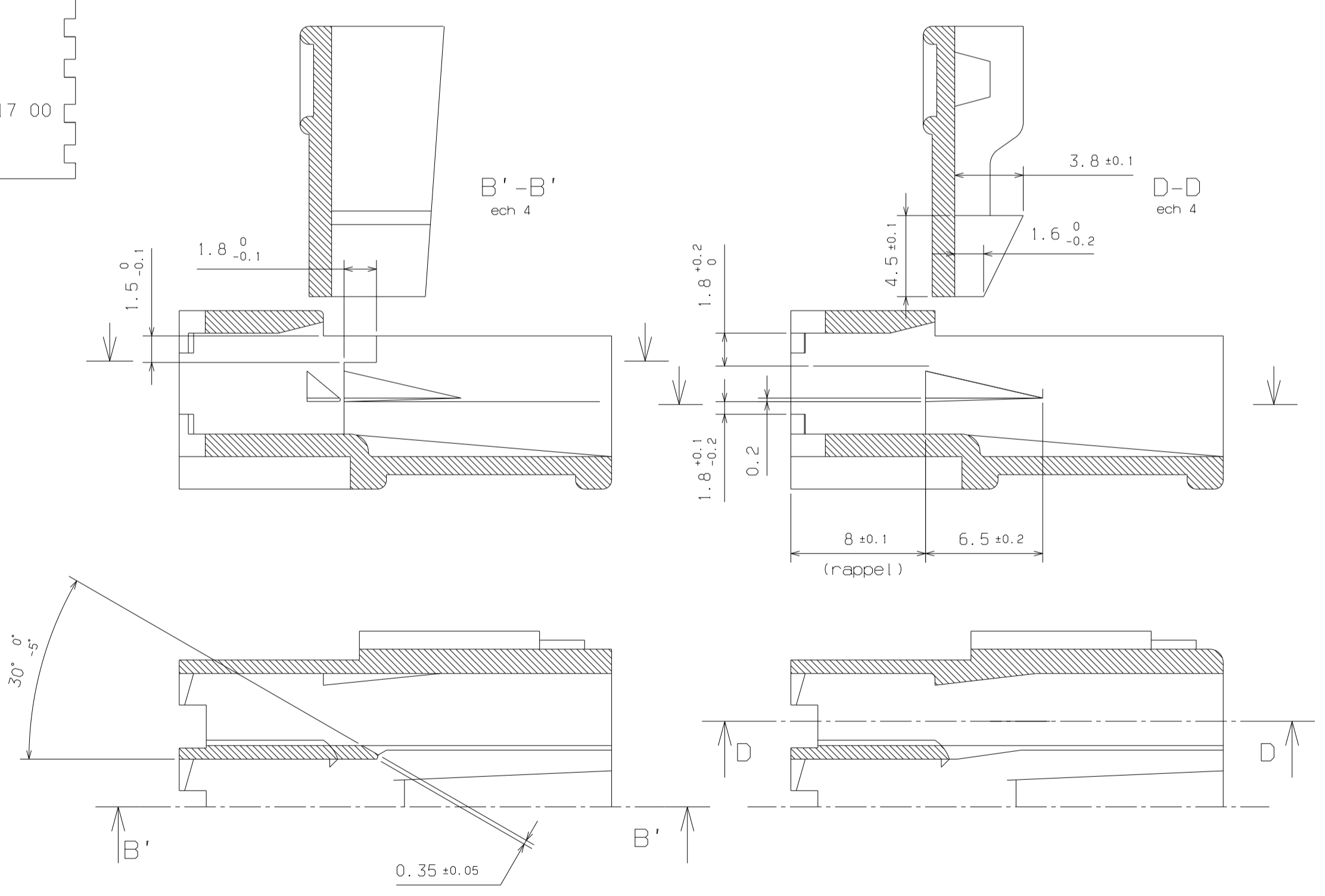


Connexions à employer :  
 Use terminals :

0988901011	0988951011
0988901012	0988952011
0988901013	0988951012
0988901014	0988952012
	0988951013
	0988952013
	0988951014
	0988952014

CAPACITY OF CAVITIES CAPACITE DES ALVEOLES		
CRIMP SERTISSAGE	for wire size conducteur section en mm <sup>2</sup>	insulation isolant Ø ext. en mm
single wire sur fil unitaire	3 <sup>2</sup> maxi	4 maxi
couped wires	1 <sup>2</sup> + 1.4 <sup>2</sup>	2.7 max+3 max
sur fils jumelés	0.6 <sup>2</sup> + 2 <sup>2</sup>	2.4 max+3.2 max

**NOTA**  
**NOTE**  
 Cotes à contrôler sur pièces en état stabilisé à 2.5% +0.5% de teneur en eau.  
 Measurements to check on parts in a stabilized state of 2.5% + 0.5% of water absorption.



ENTER DESCRIPTION EC NO: G2013-0158 DRAWN: PBOSSUAIN 2005/10/05 CHK'D: JOLGLOS 2005/10/05 APPR: LSTICKER 2005/10/05	QUALITY SYMBOLS ▽=0 ◁=0	GENERAL TOLERANCES (UNLESS SPECIFIED)		DIMENSION STYLE MM ONLY		SCALE 2:1	DESIGN UNITS METRIC	FIRST ANGLE PROJECTION	
		4 PLACES ±	3 PLACES ±	2 PLACES ±	1 PLACE ±	ANGULAR ± °	DRAWN BY HE	DATE 81/10/16	TITLE CSP5 Rcpt Hsq W/Cap PA 50kt
P3	REV	DRAFT WHERE APPLICABLE MUST REMAIN WITHIN DIMENSIONS		SEE CHART		MOLEX INCORPORATED		SHEET NO. 1 OF 1	
				THIS DRAWING CONTAINS INFORMATION THAT IS PROPRIETARY TO MOLEX INCORPORATED AND SHOULD NOT BE USED WITHOUT WRITTEN PERMISSION					