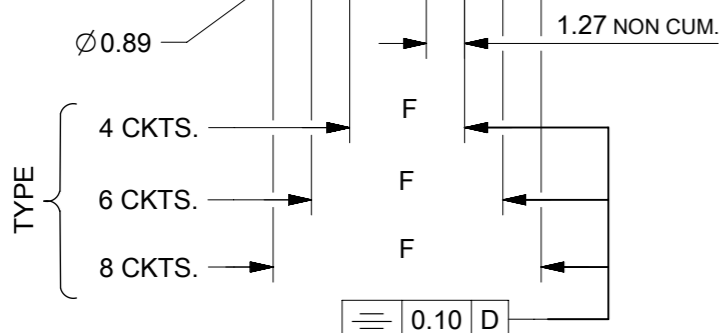
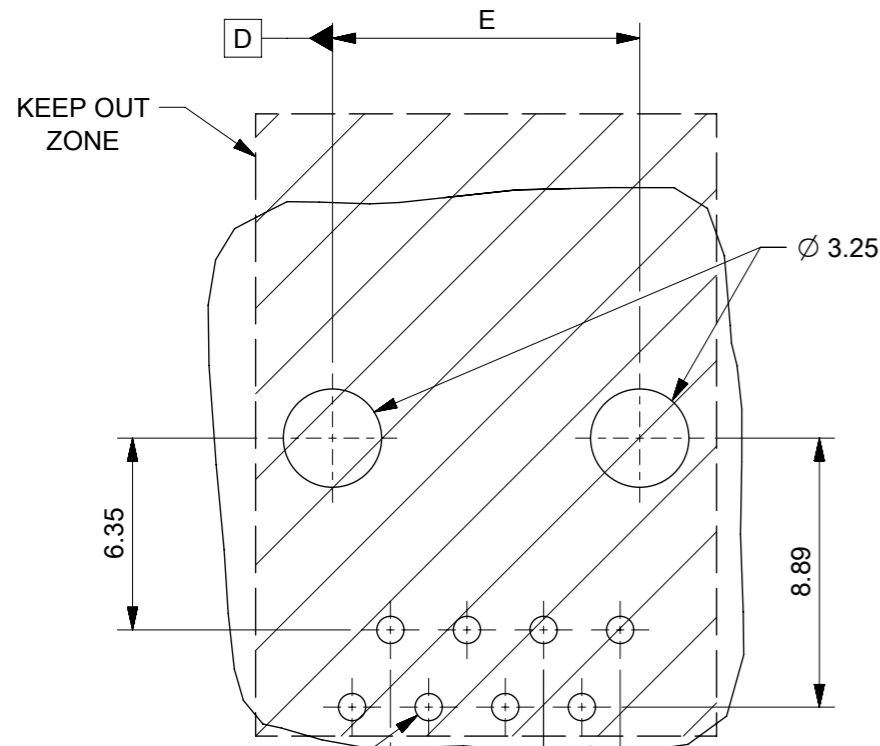
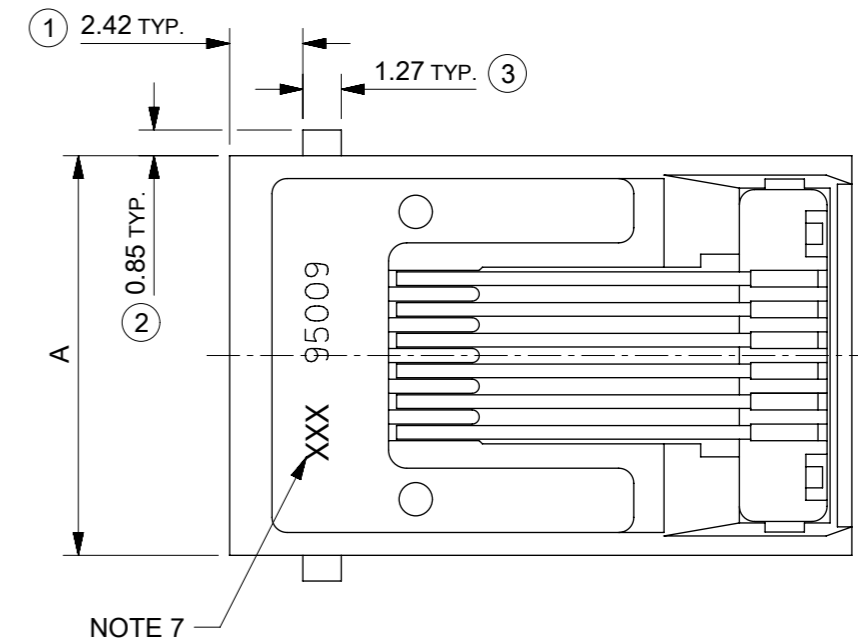
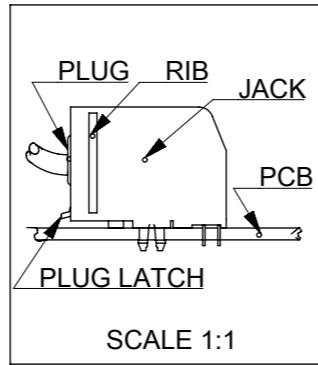


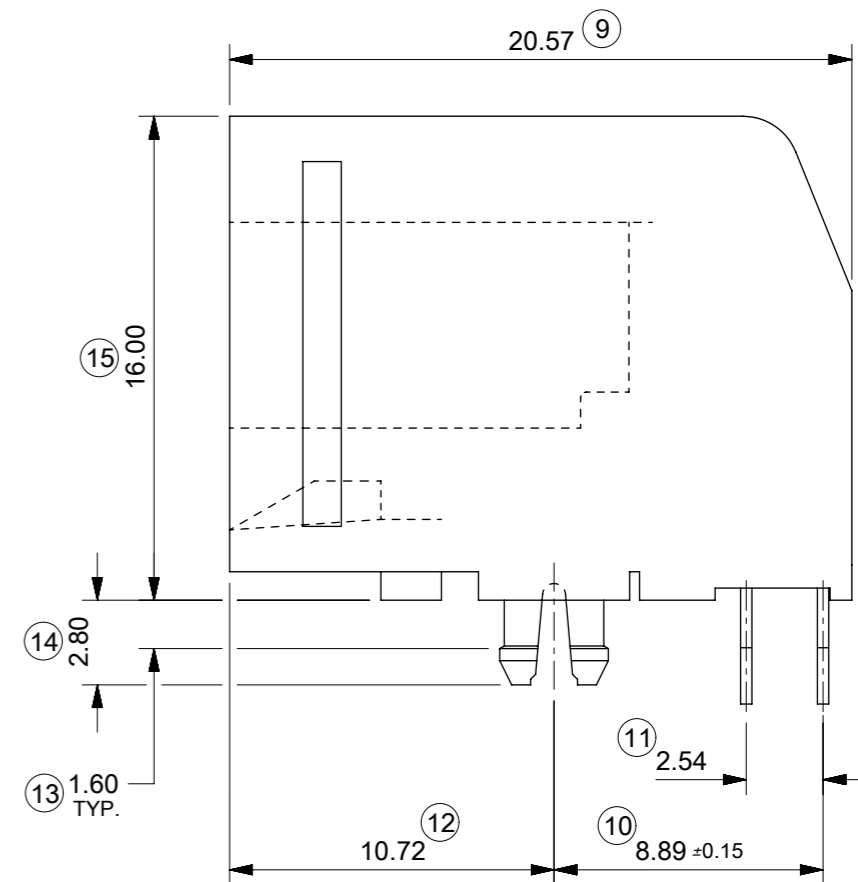
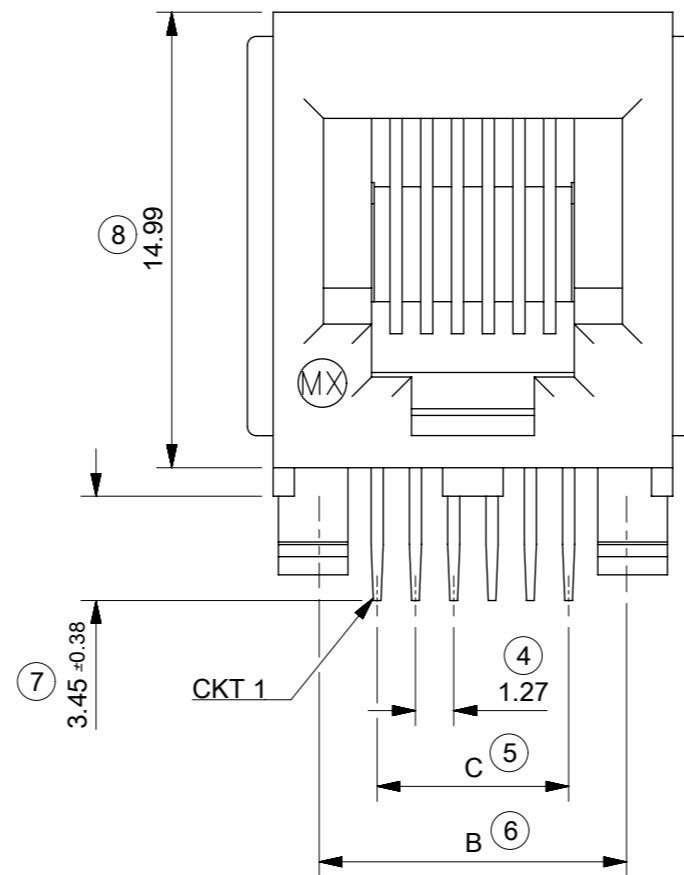
**NOTES:**

1. MATERIAL: POLYESTER FIBER GLASS FILLED UL 94-V0  
COLOR BLACK
- TERMINAL: COPPER ALLOY
- PLATINGS: BASE FINISH: NICKEL  
CONTACT SURFACE FINISH:  
GOLD  
OR  
GOLD FLASH OVER PALLADIUM NICKEL  
EXCEEDS PRODUCT REQUIREMENTS BASED ON PS-95009-001
2. PC BOARD THICKNESS: 1.57
3. JACK FOR MATING WITH IEC-60603-7 AND TIA-1096-A  
MOLEX 90075 SERIES PLUGS
4. PRODUCT SPECIFICATION PS-95009-001
5. APPLICATION SPECIFICATION AS-95001
6. PACKAGING SPECIFICATION PK-95029
7. MANUFACTURING I.D. CAN BE MXF, MG OR MXI

INSPECTION NUMBERS USED: 1 - 50  
LAST INSPECTION NUMBER: 15

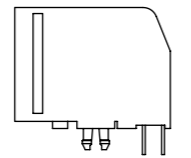


**MOUNTING HOLE PATTERNS**  
(SEE FROM COMPONENT SIDE)  
ALL DIMENSIONS REF DIMENSIONS

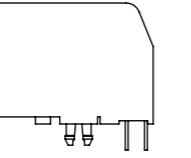


THIS DRAWING CONTAINS INFORMATION THAT IS PROPRIETARY TO MOLEX ELECTRONIC TECHNOLOGIES, LLC AND SHOULD NOT BE USED WITHOUT WRITTEN PERMISSION									
DIMENSION UNITS		SCALE		CURRENT REV DESC: MIGRATED TO NEW CAD SYSTEM. CORRECTED PART NUMBERS IN SHEET 2.				<b>molex</b>	
mm		4:1							
GENERAL TOLERANCES (UNLESS SPECIFIED)				EC NO: 606906				FLUSH MOUNT RIGHT ANGLE MODULAR JACK ASSEMBLY THROUGH HOLE VERSION	
ANGULAR TOL ± 0.5°				DRWN: KREILLY		2018/01/03			
4 PLACES ±				CHK'D: DBYRNES		2018/12/13			
3 PLACES ±				APPR: DBYRNES		2018/12/13			
2 PLACES ± 0.25				INITIAL REVISION:				PRODUCT CUSTOMER DRAWING	
1 PLACE ± 0.35				DRWN: DP		86/10/23		DOCUMENT NUMBER	
0 PLACES ±				APPR: ----		--/--/--		SDA-95009-F	
DRAFT WHERE APPLICABLE MUST REMAIN WITHIN DIMENSIONS		THIRD ANGLE PROJECTION		DRAWING		SERIES		MATERIAL NUMBER	
		A3-SIZE		95009		SEE CHART SHT 2		CUSTOMER	
								GENERAL MARKET	
								SHEET NUMBER	
								1 OF 2	

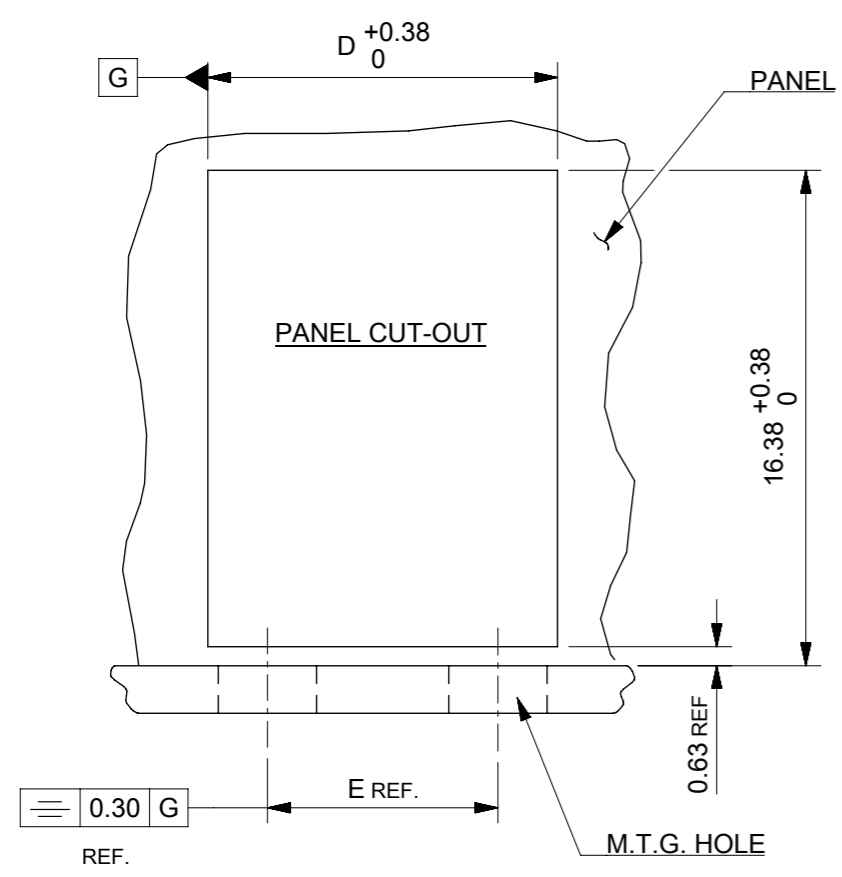
**PART NUMBERS FOR JACK WITH RIBS**

	TYPE	POS. 4	TOOLED	POS. 6	TOOLED	POS. 6	TOOLED	POS. 8	TOOLED
		4 CKTS.		4 CKTS.		6 CKTS.		8 CKTS.	
	PLATING								
	FINISH 7	95009-7441	X	95009-7641	X	95009-7661	X	95009-7881	X

**PART NUMBERS FOR JACK WITHOUT RIBS**

	TYPE	POS. 4	TOOLED	POS. 6	TOOLED	POS. 6	TOOLED	POS. 8	TOOLED
		4 CKTS.		4 CKTS.		6 CKTS.		8 CKTS.	
	PLATING								
	FINISH 7	N/A	X	95009-2647	X	95009-7667	X	95009-7887	X

**SUGGESTED BOARD LAYOUT**  
ALL DIMENSIONS ARE REFERENCE DIMENSIONS



TYPE	POS. 4	POS. 6		POS. 8
	4 CKTS.	4 CKTS.	6 CKTS.	8 CKTS.
PLATING				
A	11.18	13.21	13.21	15.24
B	7.62	10.16	10.16	11.43
C	3.81	3.81	6.35	8.89
D	11.56	13.59	13.59	15.62
E	7.62	10.16	10.16	11.43
F	3.81	3.81	6.35	8.89

NOTES:  
INSPECTION NUMBERS USED: 51 - 100  
LAST INSPECTION NUMBER: 53

THIS DRAWING CONTAINS INFORMATION THAT IS PROPRIETARY TO MOLEX ELECTRONIC TECHNOLOGIES, LLC AND SHOULD NOT BE USED WITHOUT WRITTEN PERMISSION		CURRENT REV DESC: MIGRATED TO NEW CAD SYSTEM. CORRECTED PART NUMBERS IN SHEET 2.		<b>molex</b>	
DIMENSION UNITS	SCALE	EC NO: 606906			
mm	4:1	DRWN: KREILLY 2018/01/03		PRODUCT CUSTOMER DRAWING	
GENERAL TOLERANCES (UNLESS SPECIFIED)		CHK'D: DBYRNES 2018/12/13		DOCUMENT NUMBER	
ANGULAR TOL	± 0.5°	APPR: DBYRNES 2018/12/13		SDA-95009-F	
4 PLACES	±	INITIAL REVISION:		DOC TYPE	DOC PART
3 PLACES	±	DRWN: DP 87/04/22		PSD	001
2 PLACES	± 0.25	APPR: -----		REVISION	L
1 PLACE	± 0.35	THIRD ANGLE PROJECTION		SHEET NUMBER	
0 PLACES	±	DRAWING		2 OF 2	
DRAFT WHERE APPLICABLE MUST REMAIN WITHIN DIMENSIONS		A3-SIZE	SERIES	MATERIAL NUMBER	CUSTOMER
			95009	SEE CHART	GENERAL MARKET