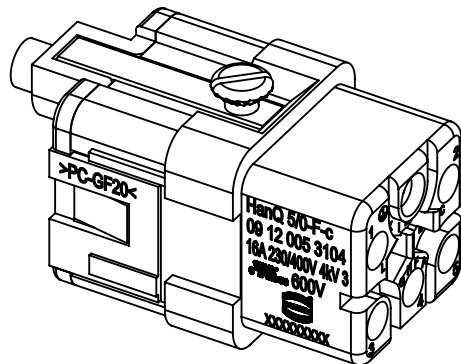
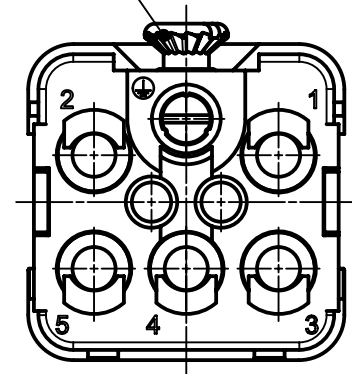
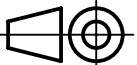



countersunk-head screw M3x6,  
enclosed separately



 All Dimensions in mm Original Size DIN A4	Scale	Free size tol.			Ref.
	2:1				Sub.
 All rights reserved Department EL PD - DE	Created by	Inspected by	Standardisation	Date	State
	MOELLERLI	BEISCHER	RUETERA	2018-04-11	Final Release
HARTING Electric GmbH & Co. KG D-32339 Espelkamp	Title				Doc-Key / ECM-Nr.
	Han Q 5/0-F-c with coding				100692591/UGD/000/A 500000132715
Type		Number		Rev.	Page
TB		09 12 005 3104		A	1/1