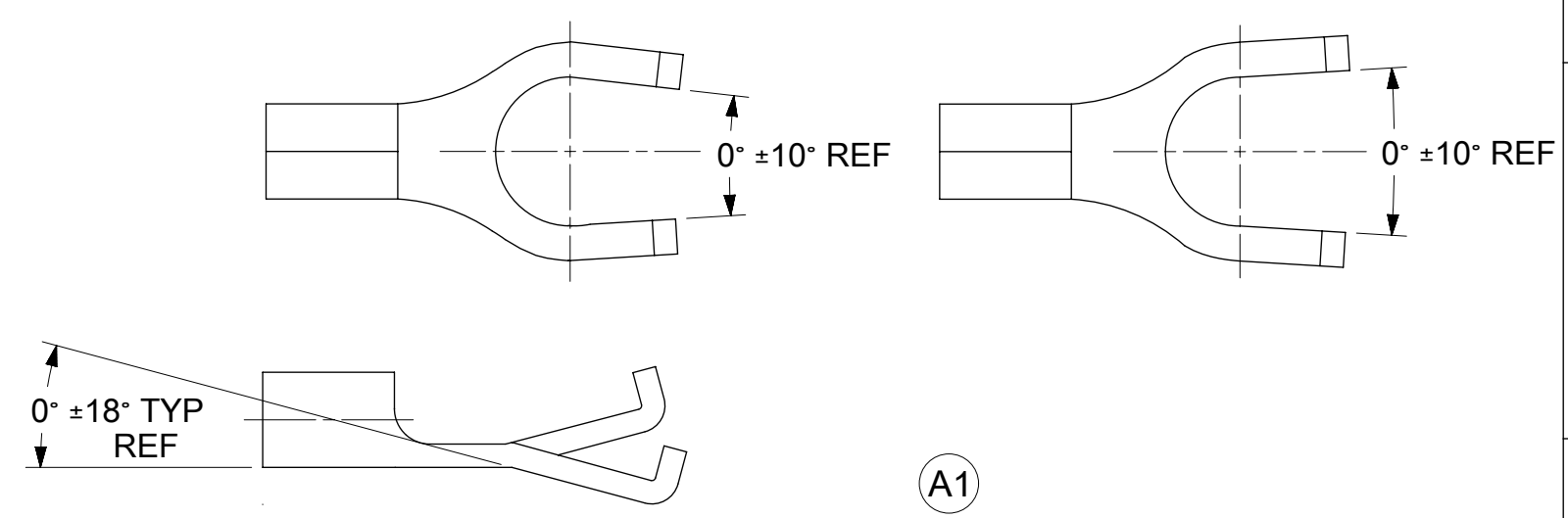
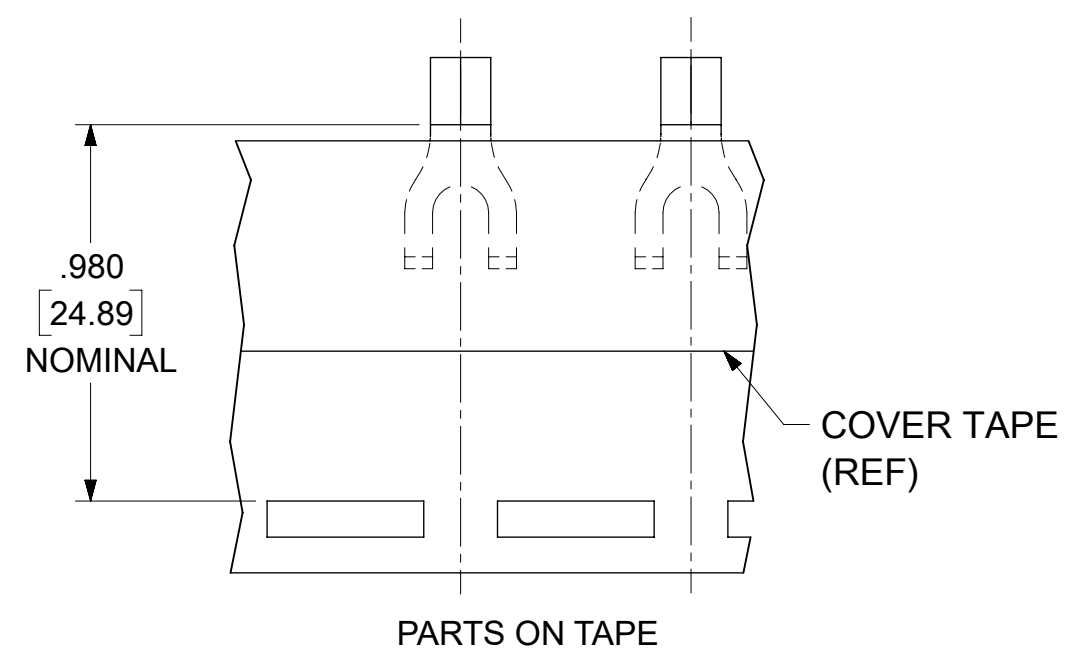
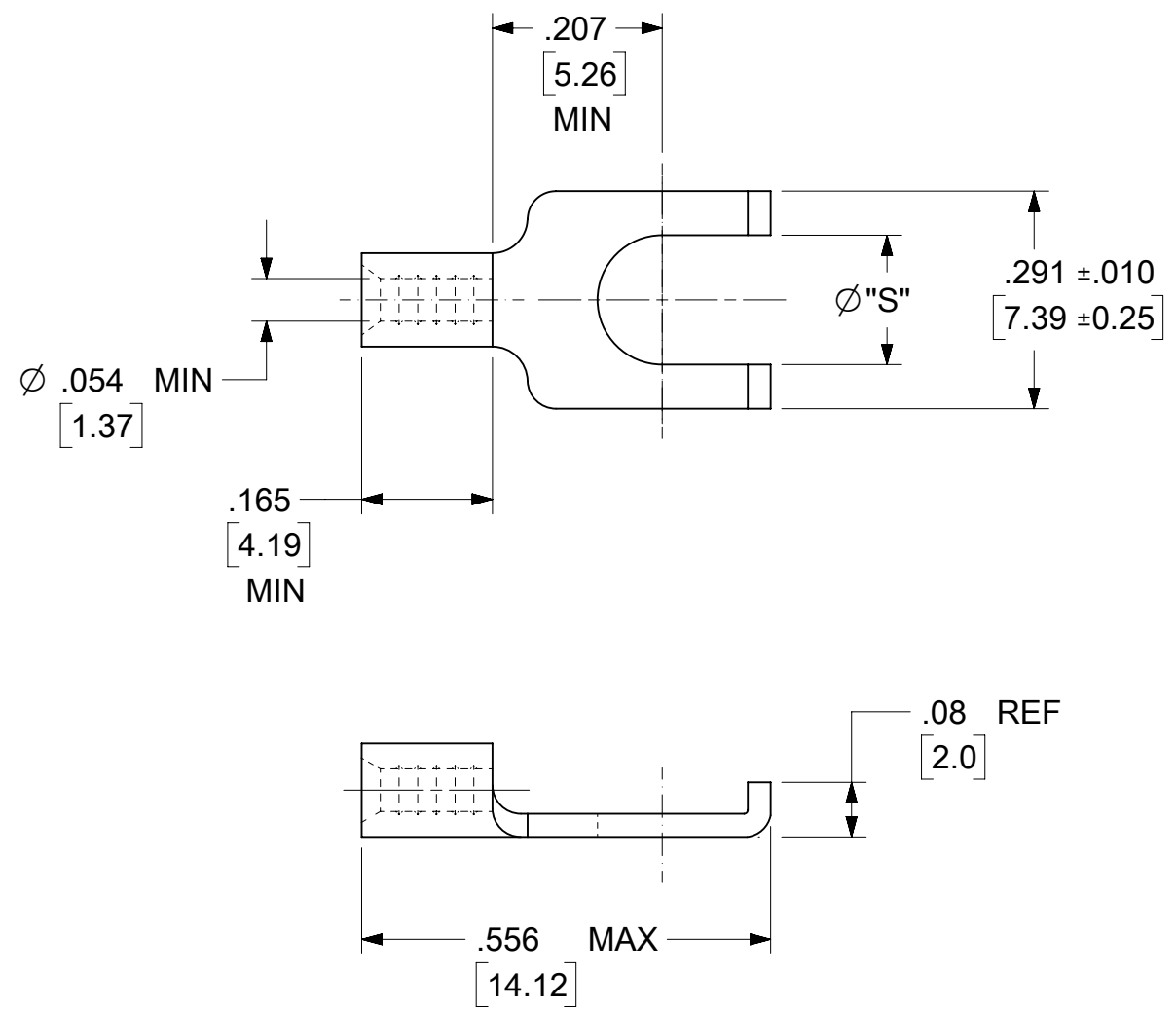


MAT'L NO.	ENG NO.	MAT'L NO. (TAPED)	ENG NO. (TAPED)	STUD SIZE	"S" ± .005 (0.13)
191180021	AA-115-06	191180022	AA-115-06T	6	.146(3.71)
191180023	AA-115-08	191180024	AA-115-08T	8	.173(4.39)
191180025	AA-115-10	----	----	10	.198(5.03)

(A1)



(A1)

ALLOWABLE BENDING OF PARTS.
PARTS WILL FLATTEN OUT DURING INSTALLATION.

NOTE(S):
1. MATERIAL: COPPER .031(0.78) THICK, REF.
2. PLATING: ELECTRO-TIN
3. PART IS RoHS COMPLIANT

FUNCTIONAL SYMBOLS		THIS DRAWING CONTAINS INFORMATION THAT IS PROPRIETARY TO MOLEX ELECTRONIC TECHNOLOGIES, LLC AND SHOULD NOT BE USED WITHOUT WRITTEN PERMISSION		CURRENT REV DESC: ADD ALLOWABLE BENDING DETAIL VIEW W/ DIMS.		molex	
DIMENSION UNITS		SCALE		EC NO: 708739			
INCH/MM		4:1		DRWN: DMYRICK 2022/05/26		FLANGED SPADE TONGUE TERMINAL KRIMPTITE 100-SERIES	
GENERAL TOLERANCES (UNLESS SPECIFIED)				CHKD: JMACNEIL 2022/06/01		PRODUCT CUSTOMER DRAWING	
4 PLACES ±		MM INCH		APPR: JMACNEIL 2022/06/01		DOCUMENT NUMBER	
3 PLACES ±		± 0.005		INITIAL REVISION:		SD-19118-003	
2 PLACES ±		± 0.13 ± 0.01		DRWN:		PSD 001 A1	
1 PLACE ±		± 0.25 ±		APPR:		DOC TYPE DOC PART REVISION	
0 PLACES ±		±		THIRD ANGLE PROJECTION		MATERIAL NUMBER CUSTOMER	
ANGULAR TOL ± °		°		DRAWING		SEE CHART GENERAL MARKET	
DRAFT WHERE APPLICABLE MUST REMAIN WITHIN DIMENSIONS		THIRD ANGLE PROJECTION		SERIES		SHEET NUMBER	
		B-SIZE		19118		1 OF 1	