

6

5

4

3

2

1

REVISIONS					
REV.	ECR#	ZONE	DESCRIPTION	CHANGED BY/DATE	APPROVED BY/DATE
AA			INITIAL RELEASE	TB 03-19-09	TB 03-19-09

D

D

C

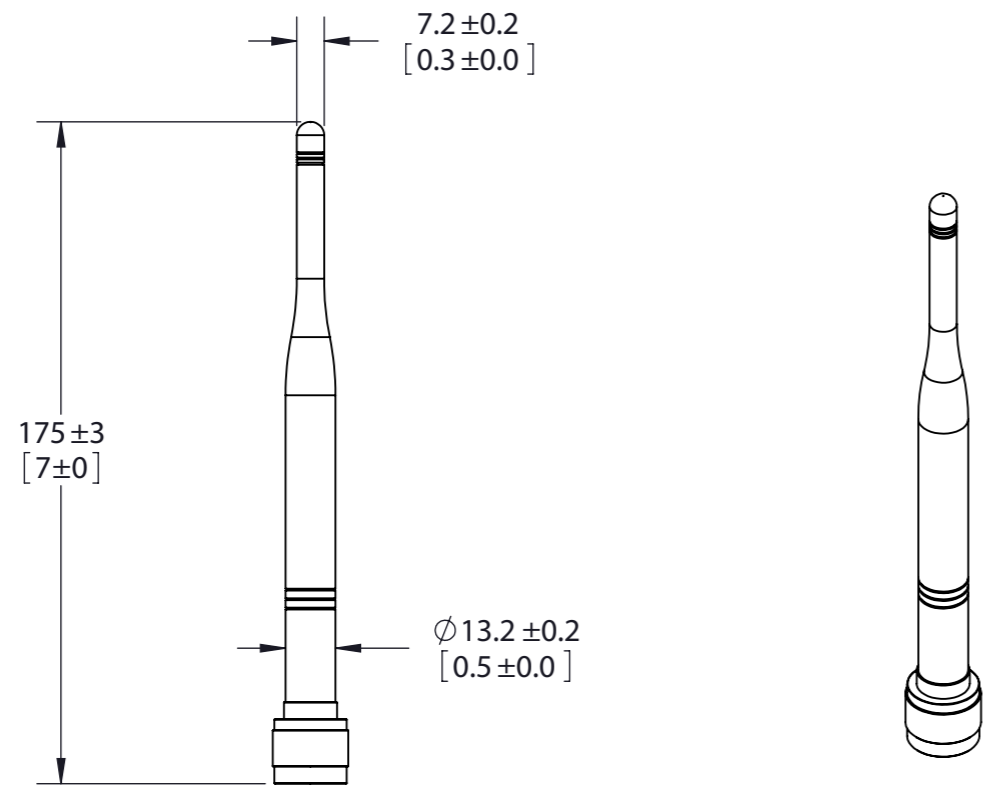
C

B

B

A

A



PARAMETER	PERFORMANCE
Model Number	RD2458-5-NM
Antenna Type	Dipole - Tri-Band
Frequency	2.4-2.5/5.15-5.35/5.725-5.85 GHz
Gain	5dBi TYP
Input Impedance	50 Ohms
VSWR	2.0:1 Max.
Polarization	Linear
RF Connector	N-Male
Radome	Black, TPEE

MATERIAL: N/A	THIRD ANGLE PROJECTION	
FINISH: N/A	DO NOT SCALE DRAWING	
APPROVALS	DATE	<p>RD2458-5-NM</p>
DRAWN BY: T.BOWSER	03-19-09	
PROJ. ENG: J.MORROW	03-27-09	
APPL. MECH: K.SEARL	03-27-09	
MFG: I.CHICKLIS	03-27-09	<p>RD2458-5-NM</p> <p>RD2458-5-NM</p>
<p>INTERPRET DIMENSIONING AND TOLERANCING IN ACCORDANCE WITH ASME Y14.5M-1994</p> <p>TOLERANCES UNLESS OTHERWISE SPECIFIED</p> <p>DIMENSIONS ARE IN MILLIMETERS</p>		<p>SIZE: A3</p> <p>SCALE: 1:2</p>
<p>ANGLE: ±30'</p> <p>0 PLACE DECIMAL: ±0.5</p> <p>1 PLACE DECIMAL: ±0.25</p> <p>2 PLACE DECIMAL: ±0.13</p> <p>SURFACE ROUGHNESS: 1.6</p>		<p>DWG. NO. RD2458-5-NM</p> <p>REV AA</p>
<p>THIS DRAWING IS UNPUBLISHED. RELEASED FOR PUBLICATION</p> <p>© Copyright 2022 TE Connectivity Ltd. ALL RIGHTS RESERVED.</p>		<p>PREVIOUS#</p> <p>SHEET 1 OF 1</p>

6

5

4

3

2

1