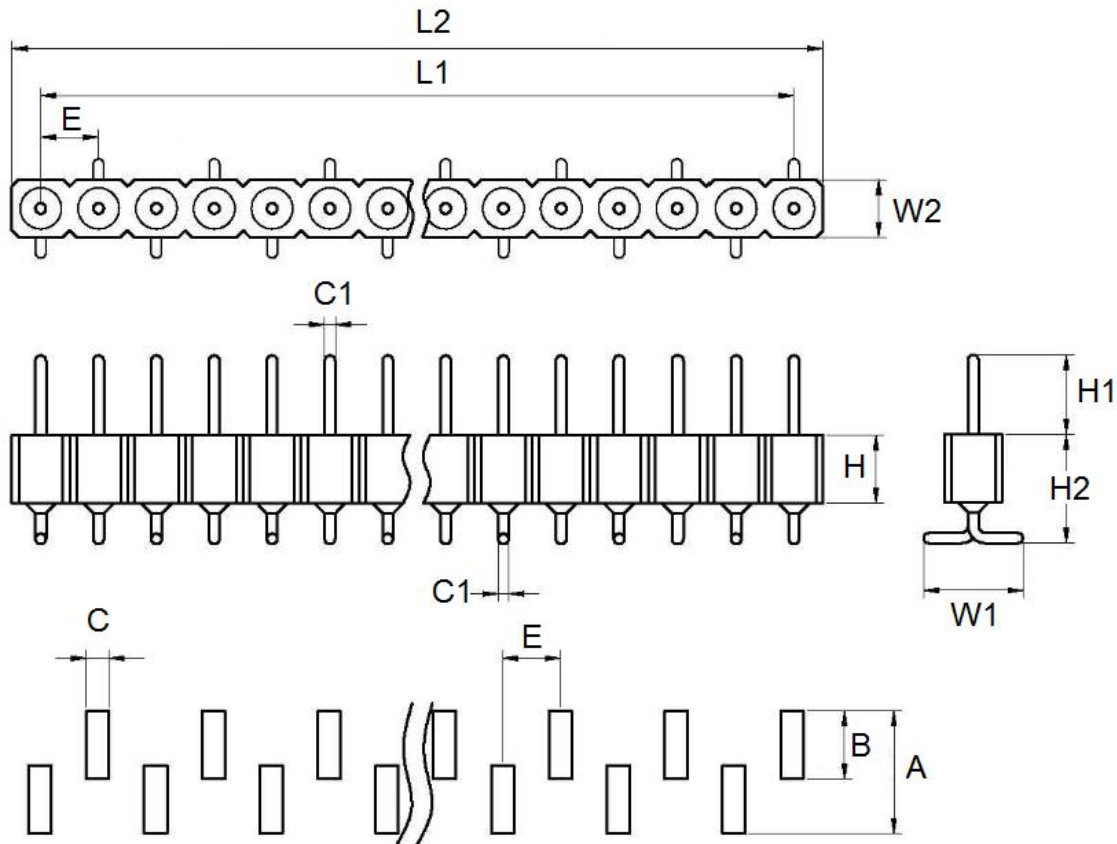


**0.1" 40 pin Machine Pin Vertical Male Header SMT Gull-Wing**

| REF. | DIMENSIONS |        |      |        |       |      |
|------|------------|--------|------|--------|-------|------|
|      | mm         |        |      | inches |       |      |
|      | MIN.       | TYP.   | MAX. | MIN.   | TYP.  | MAX. |
| A    |            | 5.40   |      |        |       |      |
| B    |            | 3.00   |      |        |       |      |
| C    |            | 1.00   |      |        |       |      |
| C1   |            | 0.45   |      |        | 0.018 |      |
| E    |            | 2.54   |      |        | 0.100 |      |
| H    |            | 3.00   |      |        |       |      |
| H1   |            | 3.50   |      |        |       |      |
| H2   |            | 4.80   |      |        |       |      |
| L1   |            | 99.06  |      |        |       |      |
| L2   |            | 101.60 |      |        |       |      |
| W1   |            | 4.36   |      |        |       |      |
| W2   |            | 2.54   |      |        |       |      |



Recommended PCB Layout

## **SPECIFICATIONS**

Plastic body construction: PA6T plastic (320°C melting point)

Pin construction: Gold plated (brass pin, with 1um gold over 50um nickel)

Operating temperature range: -40°C to +130°C

Reflow maximum temperature: +260°C