

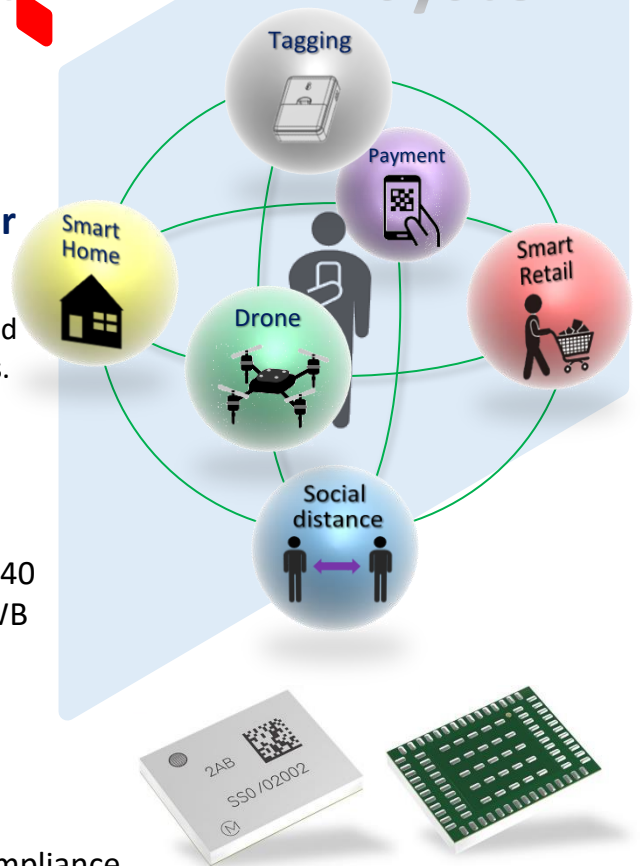
## UWB+BLE Combo Module

### Ultra-small, high quality and lower power

Module features channels 5 & 9, low current consumption, and battery life of 10+ years. Ideally suited for small, battery operated IoT devices and applications.

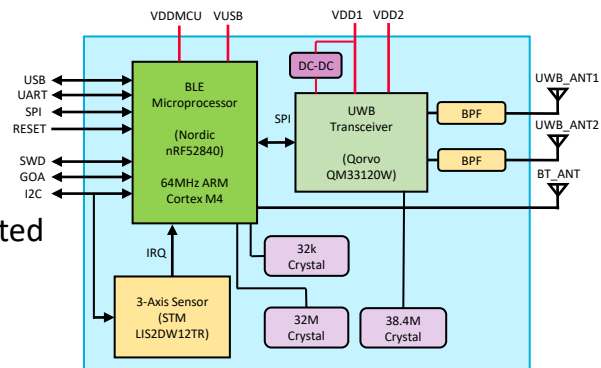
### Features

- Interface : USB,UART,SPI, I2C
- IC P/N: Qorvo QM33120W
- Hostless module Integrated Nordic IC / nRF52840 which also have BLE function for waking up UWB and updating FW.
- Integrated 3-Axis sensor for saving battery
- Work with CR2032 battery
- Reference clock embedded
- Package: Resin mold
- RoHS: This component can meet with RoHS compliance.



### Benefits

- Smallest/highly integrated UWB module available in the market
- 75% less square area than CoB solution
- Frequency, Tx power and Antenna delay are calibrated for each device
- Support Multi Antenna design and evaluation



CPU Core	ARM Cortex-M4
Flash / RAM	1MB / 256KB
RF technology	UWB Ch 5 & 9 + BLE 5.2
Dimensions	10.5 x 8.3 x 1.44(max) mm
Supply Voltage (V)	VDD1: 2.5~3.6 / VDD2: 2.5~3.6 VUSB:4.35~5.5 / VDDMCU:2.5~3.6
Target Accuracy	Ranging accuracy : +/- 9[cm] PDoA accuracy : +/- 5 [deg] AoA accuracy : +/- 2.5[deg]
Operating Temperature	-40 to 85 deg.C