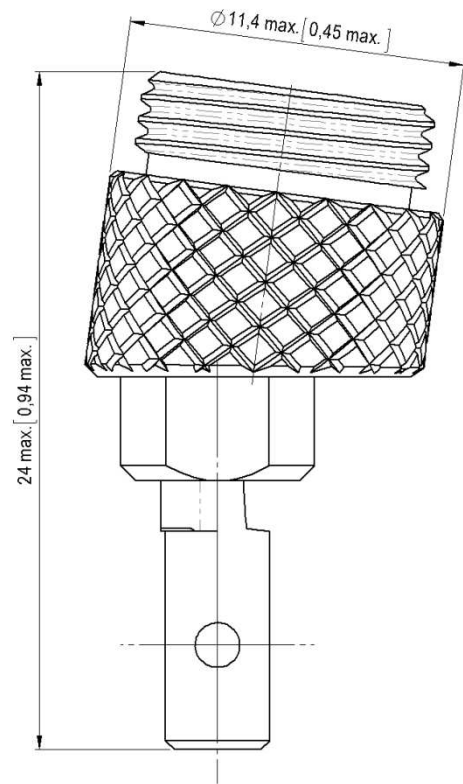
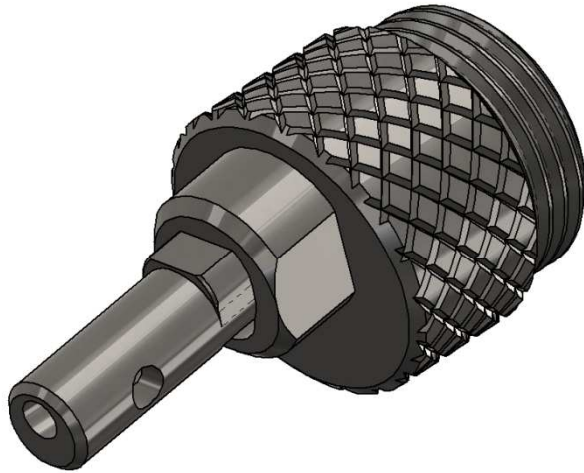


TIP FOR APC POLISHING WITH DIGITAL PROBE CAMERA JDSU P5000i



Dimension in mm [inches]

Tip to inspect optic face through visualization adaptor for EPX plug and receptacle (F780 725 300) and visualization adaptor for D38 999 receptacle (F780 725 0XX) and plug (F780 725 1XX).

The tip for APC polishing with digital probe camera has to be used with the narrow long type assembly barrel (F780 898 000) only.

Refer to the Inspection and Cleaning procedure for LuxCis® : 503 08 800 for further information.

Other tips, barrels, probe and microscope with handheld display can be ordered separately.