



## ABSTRACT

This user's guide describes the universal digital isolator evaluation module (EVM). This EVM lets designers evaluate device performance for fast development and analysis of isolated systems. The EVM supports evaluation of any of the TI single-channel, dual-channel, triple-channel, quad-channel, or six-channels digital isolator devices in various packages: 8-pin SOIC (D), 8-pin WB SOIC (DWV), 16-pin QSOP (DBQ), 16-pin WB SOIC (DW), and 16-pin ultra WB SOIC (DWW).

### CAUTION

This evaluation module is made available for isolator parameter performance evaluation only and is not intended for isolation voltage testing. To prevent damage to the EVM, any voltage applied as a supply or digital input/output must be maintained within the 0-V to 5.5-V recommended operating range.

## Table of Contents

<b>1 Introduction</b> .....	<b>3</b>
<b>2 Pin Configurations of Digital Isolators in Different Packages</b> .....	<b>3</b>
<b>3 Universal Digital Isolator EVM Image</b> .....	<b>9</b>
<b>4 EVM Setup and Operation</b> .....	<b>10</b>
<b>5 Bill of Materials</b> .....	<b>11</b>
<b>6 EVM Schematic and PCB Layout</b> .....	<b>12</b>

## List of Figures

Figure 2-1. Single-Channel Digital Isolator Pin Configuration for D-8 Package on U2 and DWV-8 Package on U1.....	3
Figure 2-2. Single-Channel Digital Isolator Pin Configuration for DW-16 Package on U3.....	4
Figure 2-3. Single-Channel Digital Isolator Pin Configuration for DWW-16 Package on U5.....	4
Figure 2-4. Dual-Channel (ISOxx20) Digital Isolator Pin Configurations for D-8 Package on U2 and DWV-8 Package on U1.....	4
Figure 2-5. Dual-Channel (ISOxx21) Digital Isolator Pin Configurations for D-8 Package on U2 and DWV-8 Package on U1.....	4
Figure 2-6. Dual-Channel (ISOxx20) Digital Isolator Pin Configurations for DW-16 Package on U3.....	5
Figure 2-7. Dual-Channel (ISOxx21) Digital Isolator Pin Configurations for DW-16 Package on U3.....	5
Figure 2-8. Dual-Channel (ISOxx20) Digital Isolator Pin Configurations for DWW-16 Package on U5.....	5
Figure 2-9. Dual-Channel (ISOxx21) Digital Isolator Pin Configurations for DWW-16 Package on U5.....	5
Figure 2-10. Triple-Channel (ISOxx30) Digital Isolator Pin Configurations for DBQ-16 Package on U6, DW-16 Package on U4, and DWW-16 Package on U5.....	6
Figure 2-11. Triple-Channel (ISOxx31) Digital Isolator Pin Configurations for DBQ-16 Package on U6, DW-16 Package on U4, and DWW-16 Package on U5.....	6
Figure 2-12. Quad-Channel (ISOxx40) Digital Isolator Pin Configurations for DBQ-16 Package on U6, DW-16 Package on U4, and DWW-16 Package on U5.....	6
Figure 2-13. Quad-Channel (ISOxx41) Digital Isolator Pin Configurations for DBQ-16 Package on U6, DW-16 Package on U4, and DWW-16 Package on U5.....	6
Figure 2-14. Quad-Channel (ISOxx42) Digital Isolator Pin Configurations for DBQ-16 Package on U6, DW-16 Package on U4, and DWW-16 Package on U5.....	7
Figure 2-15. Six-Channel (ISOxx60) Digital Isolator Pin Configurations for DBQ-16 Package on U7 and DW-16 Package on U8.....	7
Figure 2-16. Six-Channel (ISOxx61) Digital Isolator Pin Configurations for DBQ-16 Package on U7 and DW-16 Package on U8.....	7

Figure 2-17. Six-Channel (ISOxx62) Digital Isolator Pin Configurations for DBQ-16 Package on U7 and DW-16 Package on U8.....	8
Figure 2-18. Six-Channel (ISOxx63) Digital Isolator Pin Configurations for DBQ-16 Package on U7 and DW-16 Package on U8.....	8
Figure 3-1. DIGI-ISO-EVM 3D Diagram.....	9
Figure 4-1. Basic EVM Operation.....	10
Figure 4-2. Typical Input and Output Waveform.....	10
Figure 6-1. DIGI-ISO-EVM Schematic.....	12
Figure 6-2. DIGI-ISO-EVM PCB Layout.....	13

### List of Tables

Table 2-1. Digital Isolator Channel and Package Options and Their Respective Footprint Locations.....	3
Table 5-1. Bill of Materials.....	11

### Trademarks

All trademarks are the property of their respective owners.

## 1 Introduction

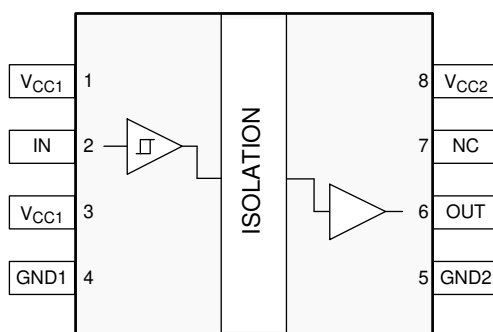
This user’s guide describes EVM operation with respect to most digital isolator devices that come in standard pin-compatible packages. The EVM can be used for evaluation of any of TI single-channel, dual-channel, triple-channel, quad-channel, or six-channels digital isolator devices in various packages: 8-pin SOIC (D), 8-pin WB SOIC (DWV), 16-pin QSOP (DBQ), 16-pin WB SOIC (DW), and 16-pin ultra WB SOIC (DWW). This guide also describes the standard pin configurations of devices for each package, bill of materials, EVM schematic, PCB layout, and typical laboratory test setup. A typical input and output waveform is also presented.

## 2 Pin Configurations of Digital Isolators in Different Packages

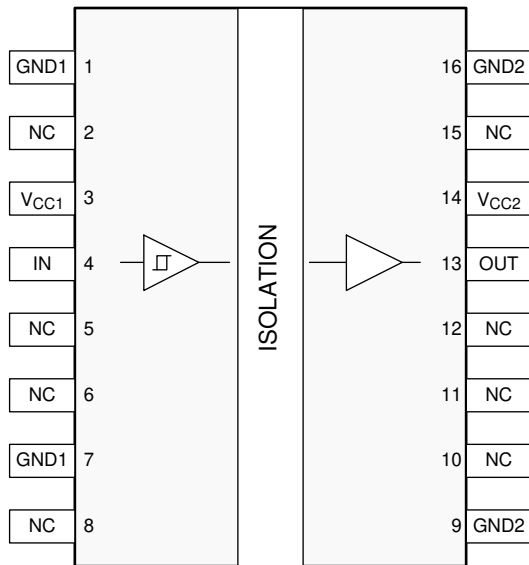
The DIGI-ISO-EVM has provision for multiple device footprints that are unoccupied to allow for testing of various digital isolator devices from various isolator families. [Figure 2-1](#) through [Figure 2-18](#) show all possible device pin configurations of digital isolators with different channel options in different packages that can be tested on this EVM. The figures also provide reference to device footprint designators (like U1) of the EVM where a given digital isolator for a given channel option in a given package can be tested on the EVM. [Table 2-1](#) can be used as a quick reference table to identify the device footprint designator where a digital isolator can be tested for a given channel and package options.

**Table 2-1. Digital Isolator Channel and Package Options and Their Respective Footprint Locations**

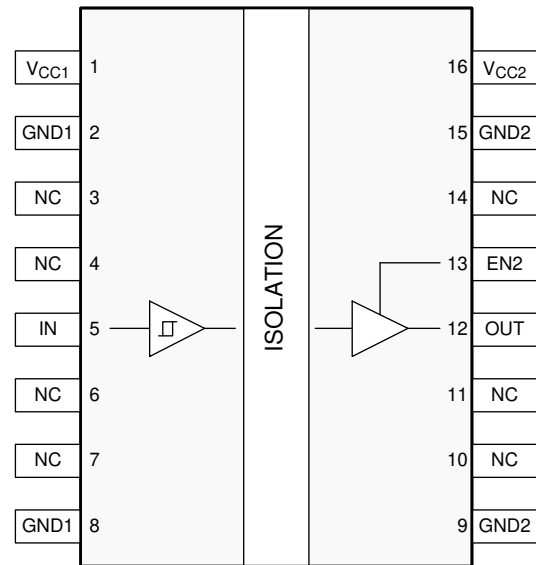
Number of Channels	Digital Isolator Part Numbers That can be Tested	Example Part Number	Package	Location Where it can be Tested
1	ISOxx10	ISO7710	D-8	U2
			DWV-8	U1
			DW-16	U3
		ISO7810	DWW-16	U5
2	ISOxx2x	ISO7721	D-8	U2
			DWV-8	U1
			DW-16	U3
		ISO7821	DWW-16	U5
3	ISOxx3x	ISO7731	DBQ-16	U6
			DW-16	U4
		ISO7831	DWW-16	U5
4	ISOxx4x	ISO7741	DBQ-16	U6
			DW-16	U4
		ISO7841	DWW-16	U5
6	ISOxx6x	ISO7762	DBQ-16	U7
			DW-16	U8



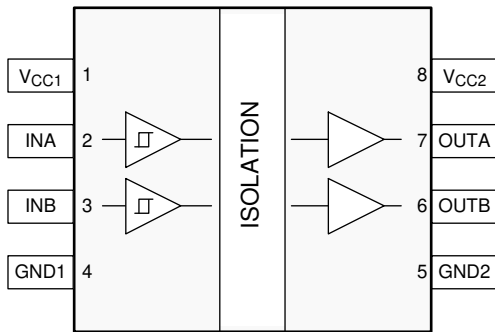
**Figure 2-1. Single-Channel Digital Isolator Pin Configuration for D-8 Package on U2 and DWV-8 Package on U1**



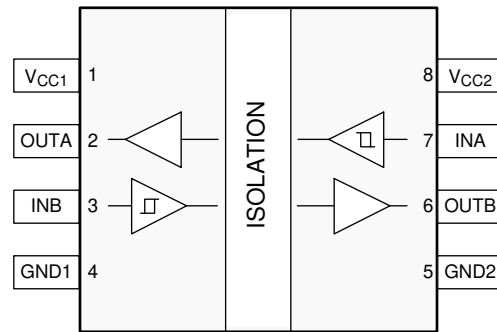
**Figure 2-2. Single-Channel Digital Isolator Pin Configuration for DW-16 Package on U3**



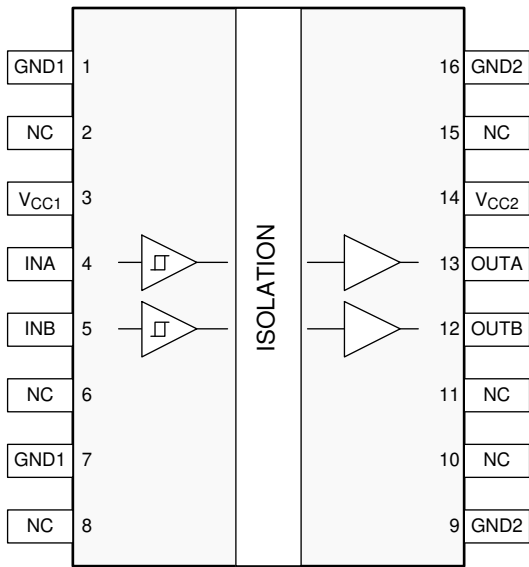
**Figure 2-3. Single-Channel Digital Isolator Pin Configuration for DWW-16 Package on U5**



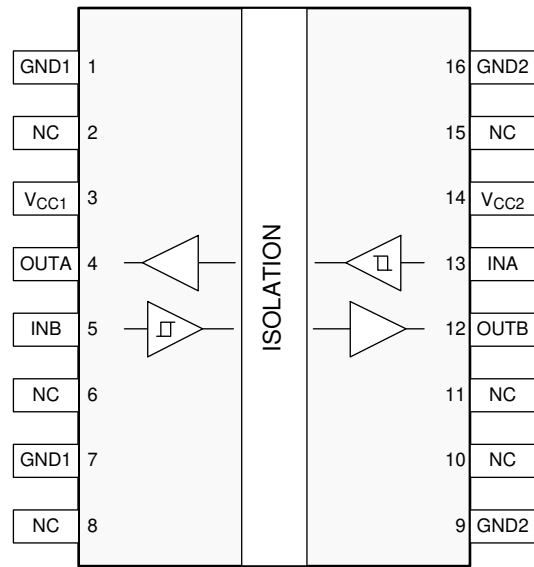
**Figure 2-4. Dual-Channel (ISOxx20) Digital Isolator Pin Configurations for D-8 Package on U2 and DWV-8 Package on U1**



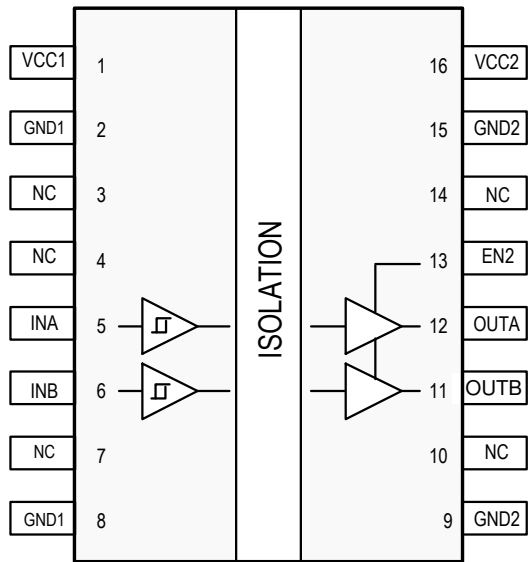
**Figure 2-5. Dual-Channel (ISOxx21) Digital Isolator Pin Configurations for D-8 Package on U2 and DWV-8 Package on U1**



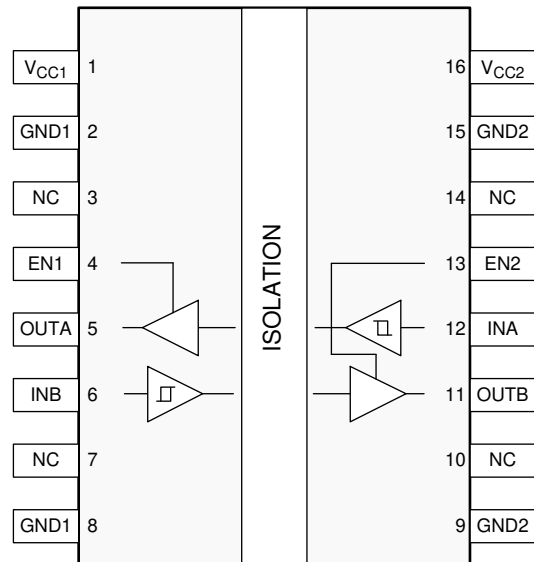
**Figure 2-6. Dual-Channel (ISOxx20) Digital Isolator Pin Configurations for DW-16 Package on U3**



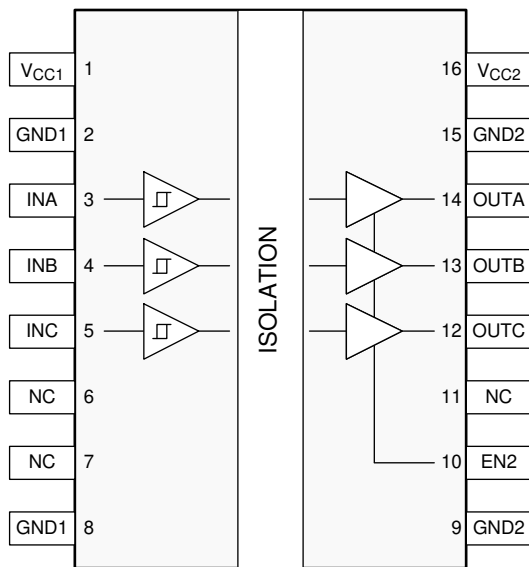
**Figure 2-7. Dual-Channel (ISOxx21) Digital Isolator Pin Configurations for DW-16 Package on U3**



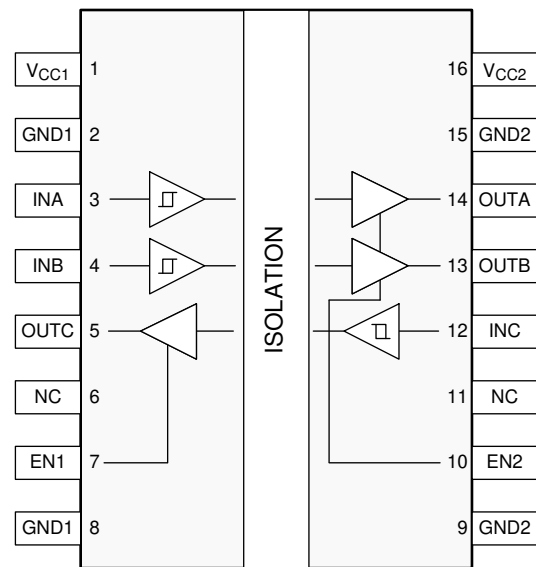
**Figure 2-8. Dual-Channel (ISOxx20) Digital Isolator Pin Configurations for DWW-16 Package on U5**



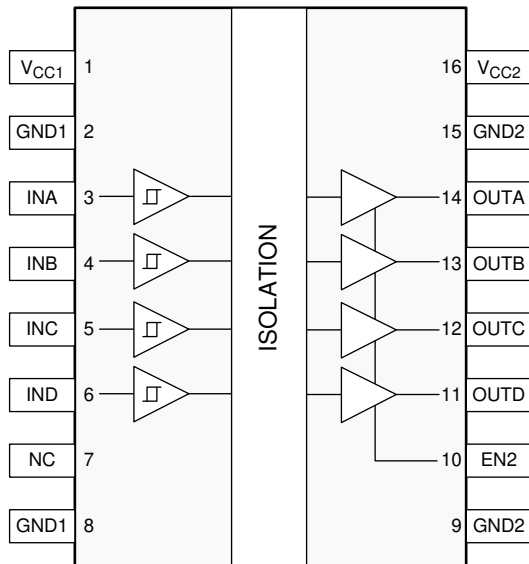
**Figure 2-9. Dual-Channel (ISOxx21) Digital Isolator Pin Configurations for DWW-16 Package on U5**



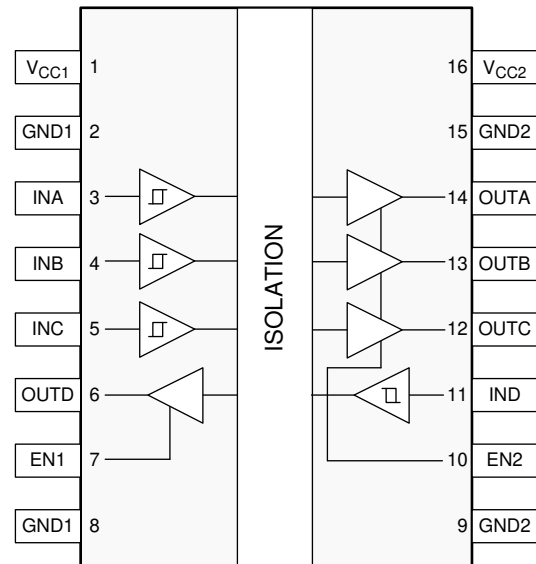
**Figure 2-10. Triple-Channel (ISOxx30) Digital Isolator Pin Configurations for DBQ-16 Package on U6, DW-16 Package on U4, and DWW-16 Package on U5**



**Figure 2-11. Triple-Channel (ISOxx31) Digital Isolator Pin Configurations for DBQ-16 Package on U6, DW-16 Package on U4, and DWW-16 Package on U5**



**Figure 2-12. Quad-Channel (ISOxx40) Digital Isolator Pin Configurations for DBQ-16 Package on U6, DW-16 Package on U4, and DWW-16 Package on U5**



**Figure 2-13. Quad-Channel (ISOxx41) Digital Isolator Pin Configurations for DBQ-16 Package on U6, DW-16 Package on U4, and DWW-16 Package on U5**

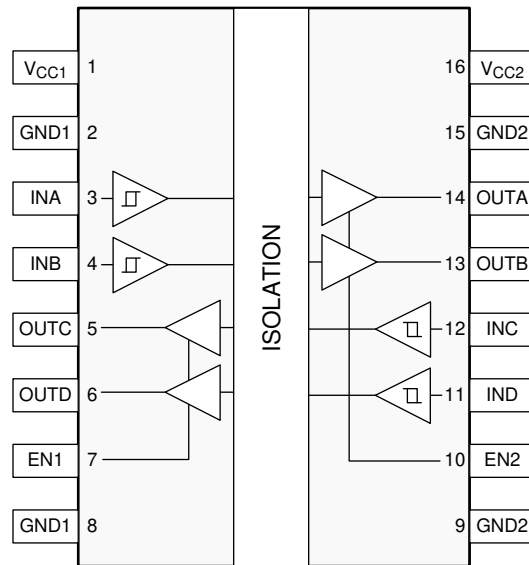


Figure 2-14. Quad-Channel (ISOxx42) Digital Isolator Pin Configurations for DBQ-16 Package on U6, DW-16 Package on U4, and DWW-16 Package on U5

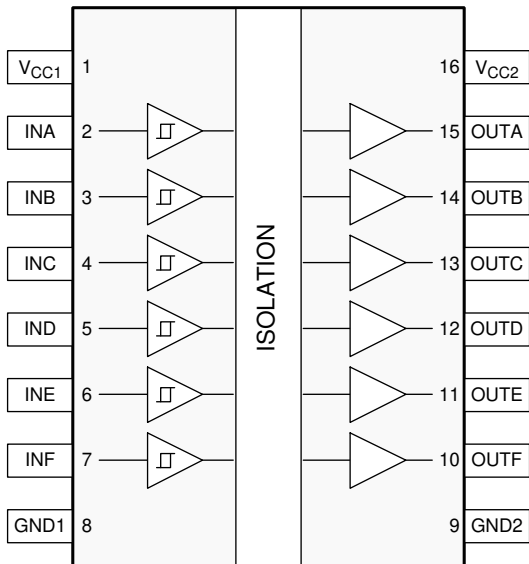


Figure 2-15. Six-Channel (ISOxx60) Digital Isolator Pin Configurations for DBQ-16 Package on U7 and DW-16 Package on U8

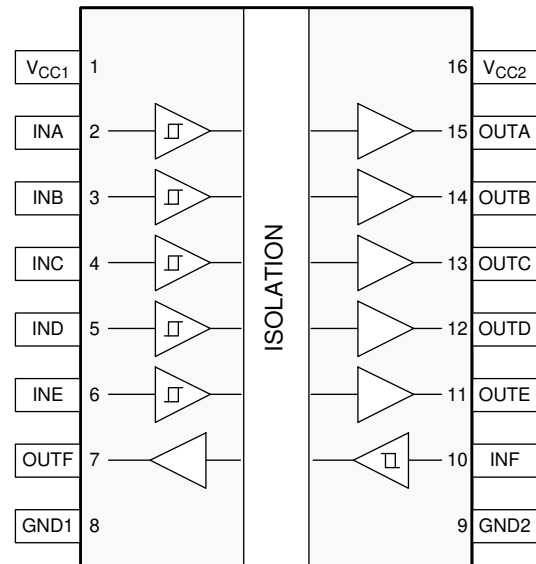
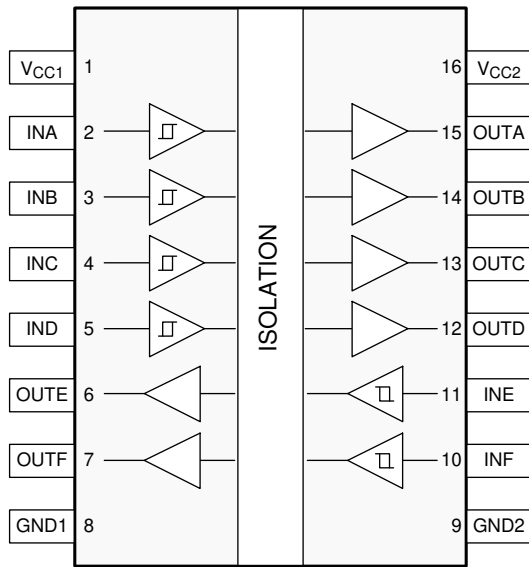
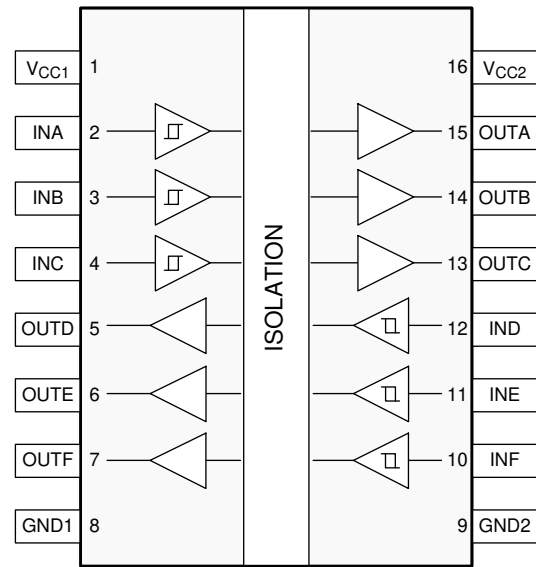


Figure 2-16. Six-Channel (ISOxx61) Digital Isolator Pin Configurations for DBQ-16 Package on U7 and DW-16 Package on U8



**Figure 2-17. Six-Channel (ISOxx62) Digital Isolator Pin Configurations for DBQ-16 Package on U7 and DW-16 Package on U8**



**Figure 2-18. Six-Channel (ISOxx63) Digital Isolator Pin Configurations for DBQ-16 Package on U7 and DW-16 Package on U8**



### 3 Universal Digital Isolator EVM Image

Figure 3-1 shows the 3D diagram of the EVM.

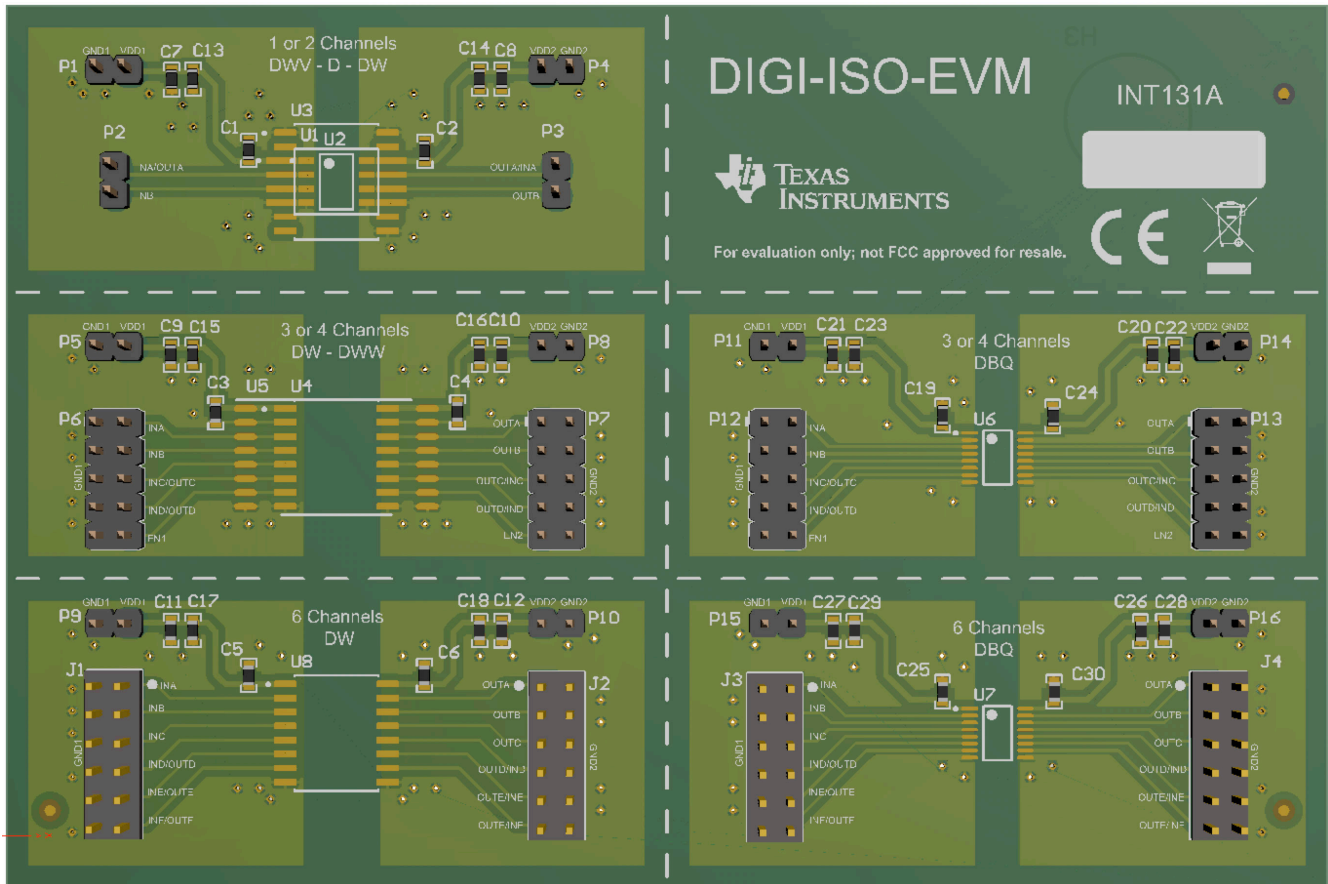
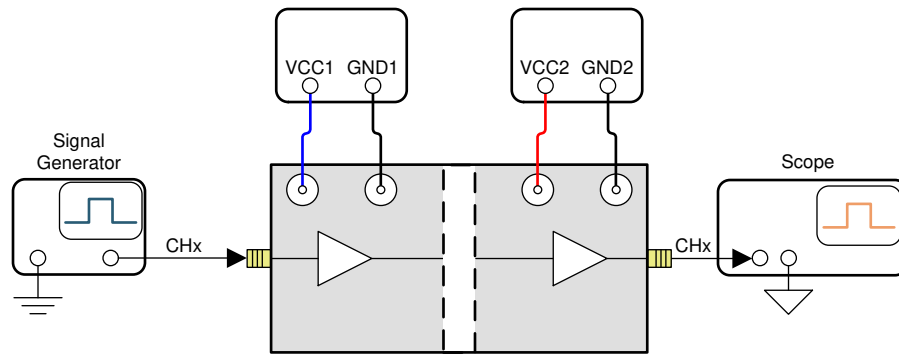


Figure 3-1. DIGI-ISO-EVM 3D Diagram

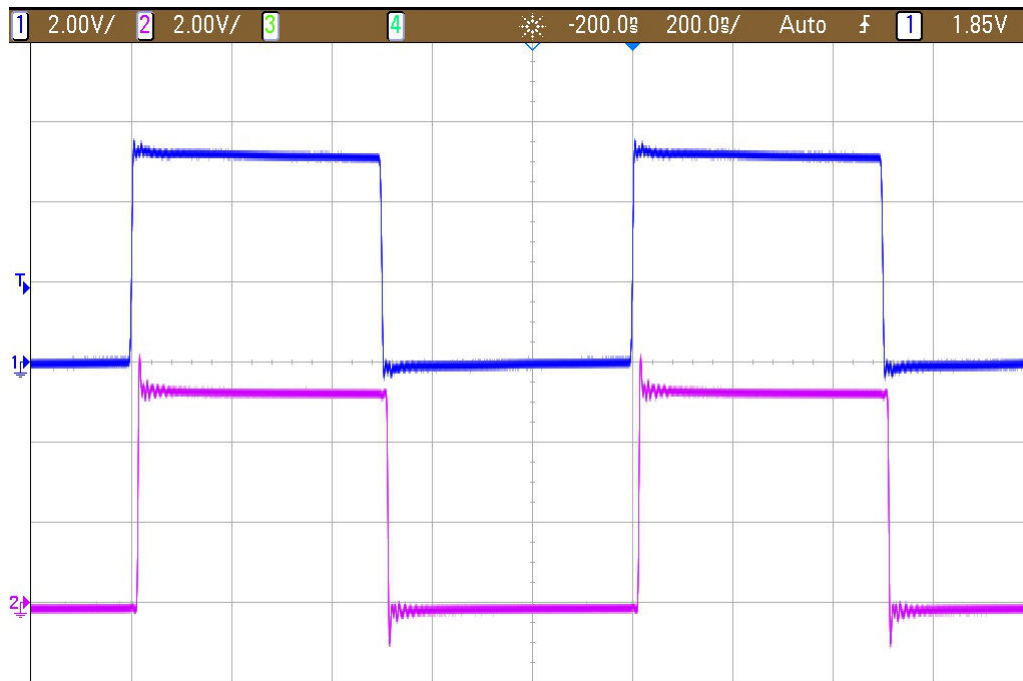
## 4 EVM Setup and Operation

This section describes the setup and operation of the EVM for parameter performance evaluation. [Figure 4-1](#) shows the configuration for operating the universal digital isolator EVM for one device footprint using two power supplies.



**Figure 4-1. Basic EVM Operation**

[Figure 4-2](#) shows typical input and output waveforms of the EVM for a 1-MHz clock. The input is shown as channel 1, and the output is shown as channel 2.



**Figure 4-2. Typical Input and Output Waveform**

## 5 Bill of Materials

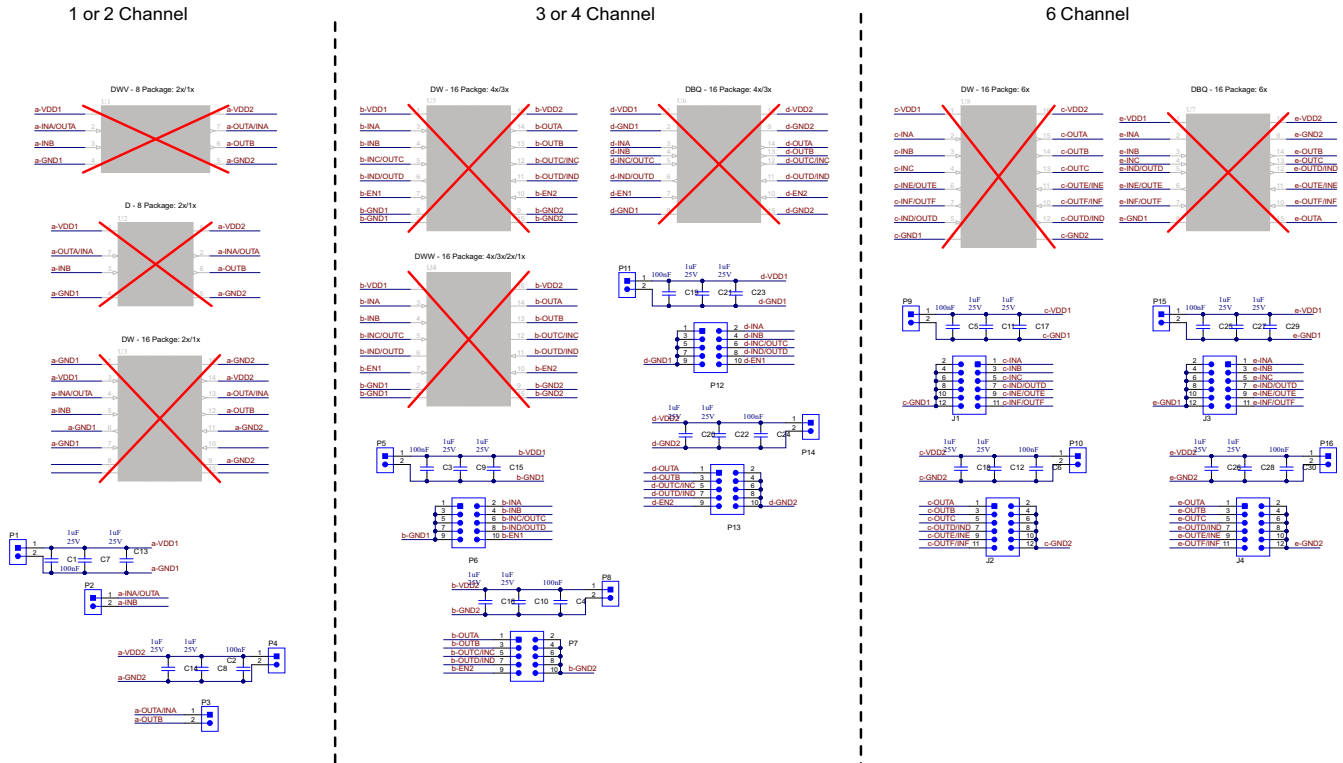
Table 5-1 shows the bill of materials (BOM) for this EVM.

**Table 5-1. Bill of Materials**

Item	Designator	Description	Manufacturer	Part Number	Quantity
1	C1, C2, C3, C4, C5, C6, C19, C24, C25, C30	CAP, CERM, 0.1 uF, 25 V, ±5%, X7R, 0603	AVX	06033C104JAT2A	10
2	C7, C8, C9, C10, C11, C12, C13, C14, C15, C16, C17, C18, C20, C21, C22, C23, C26, C27, C28, C29	CAP, CERM, 1 uF, 25 V, ±10%, X5R, 0603	TDK	C1608X5R1E105K080AC	20
3	H1, H2, H3, H4	Bumpon, Hemisphere, 0.44 X 0.20, Clear	3M	SJ-5303 (CLEAR)	4
4	J1, J2, J3, J4	Header, 100mil, 6x2, Gold, TH	TE Connectivity	87227-6	4
5	LBL1	Thermal Transfer Printable Labels, 0.650" W x 0.200" H - 10,000 per roll	Brady	THT-14-423-10	1
6	P1, P2, P3, P4, P5, P8, P9, P10, P11, P14, P15, P16	Header, 2.54 mm, 2x1, Gold, TH	Würth Elektronik	61300211121	12
7	P6, P7, P12, P13	Header, 2.54 mm, 5x2, Gold, TH	Würth Elektronik	61301021121	4

## 6 EVM Schematic and PCB Layout

The universal digital isolator EVM is designed to accommodate various digital isolators with different channel options in different packages. To evaluate any of the digital isolator devices in a given package, populate the device of interest on the DIGI-ISO-EVM PCB according to the footprint positions suggested in section 2. No other component requires any modification on the EVM. [Figure 6-1](#) shows the DIGI-ISO-EVM schematic and [Figure 6-2](#) shows the printed-circuit board (PCB) layout of the EVM.



**Figure 6-1. DIGI-ISO-EVM Schematic**

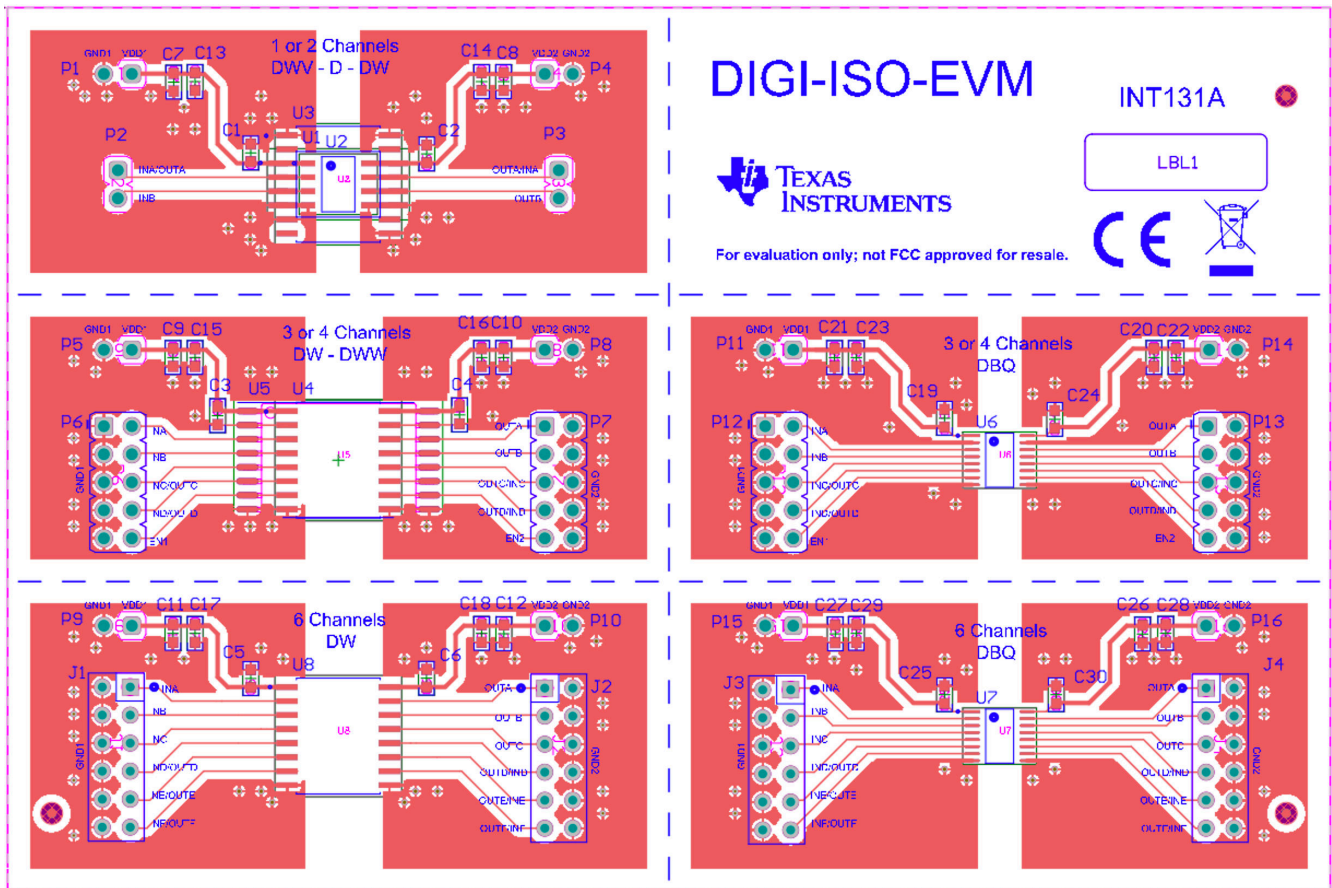


Figure 6-2. DIGI-ISO-EVM PCB Layout

## IMPORTANT NOTICE AND DISCLAIMER

TI PROVIDES TECHNICAL AND RELIABILITY DATA (INCLUDING DATA SHEETS), DESIGN RESOURCES (INCLUDING REFERENCE DESIGNS), APPLICATION OR OTHER DESIGN ADVICE, WEB TOOLS, SAFETY INFORMATION, AND OTHER RESOURCES "AS IS" AND WITH ALL FAULTS, AND DISCLAIMS ALL WARRANTIES, EXPRESS AND IMPLIED, INCLUDING WITHOUT LIMITATION ANY IMPLIED WARRANTIES OF MERCHANTABILITY, FITNESS FOR A PARTICULAR PURPOSE OR NON-INFRINGEMENT OF THIRD PARTY INTELLECTUAL PROPERTY RIGHTS.

These resources are intended for skilled developers designing with TI products. You are solely responsible for (1) selecting the appropriate TI products for your application, (2) designing, validating and testing your application, and (3) ensuring your application meets applicable standards, and any other safety, security, regulatory or other requirements.

These resources are subject to change without notice. TI grants you permission to use these resources only for development of an application that uses the TI products described in the resource. Other reproduction and display of these resources is prohibited. No license is granted to any other TI intellectual property right or to any third party intellectual property right. TI disclaims responsibility for, and you will fully indemnify TI and its representatives against, any claims, damages, costs, losses, and liabilities arising out of your use of these resources.

TI's products are provided subject to [TI's Terms of Sale](#) or other applicable terms available either on [ti.com](http://ti.com) or provided in conjunction with such TI products. TI's provision of these resources does not expand or otherwise alter TI's applicable warranties or warranty disclaimers for TI products.

TI objects to and rejects any additional or different terms you may have proposed.

Mailing Address: Texas Instruments, Post Office Box 655303, Dallas, Texas 75265  
Copyright © 2022, Texas Instruments Incorporated