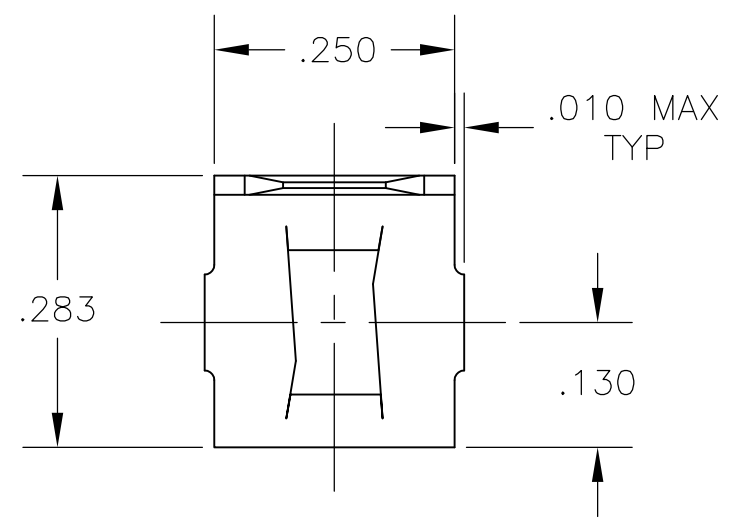
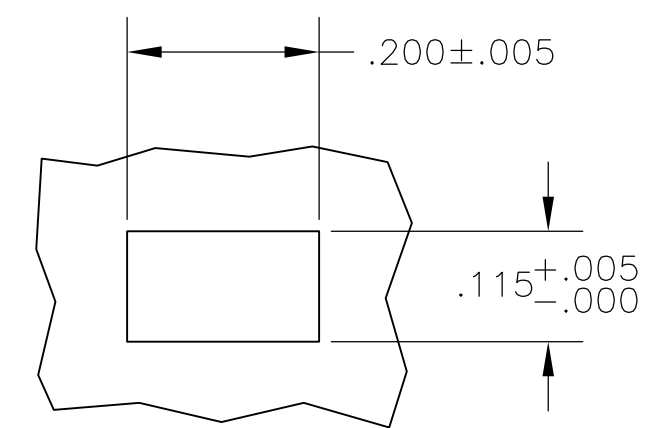
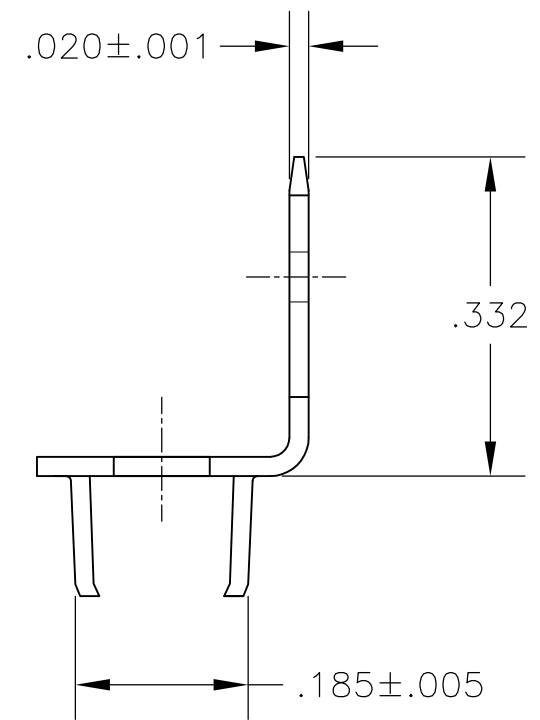
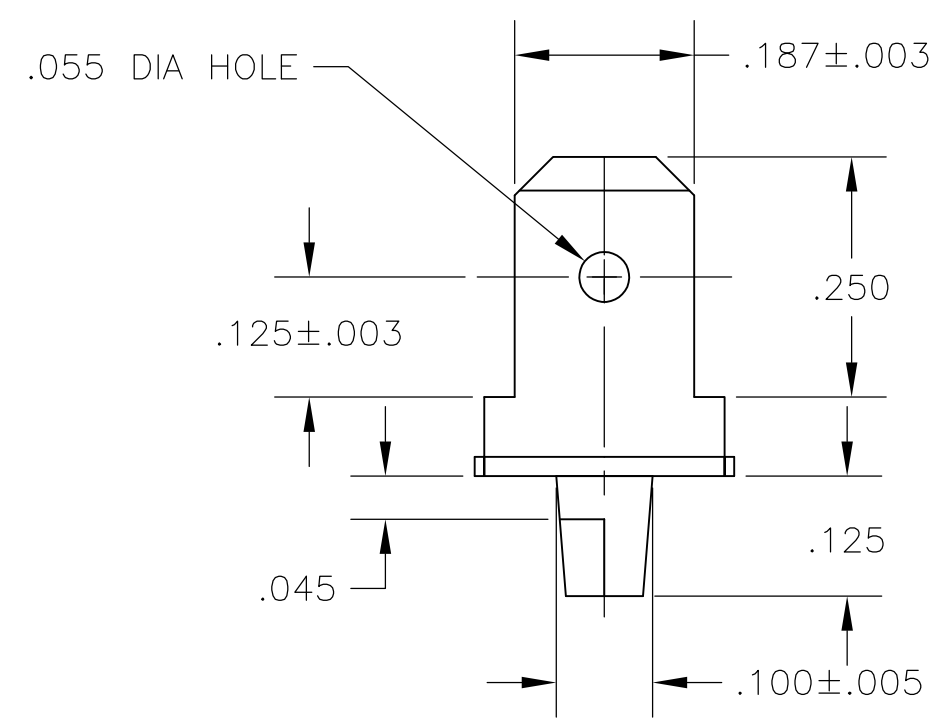


THIS DRAWING IS UNPUBLISHED. RELEASED FOR PUBLICATION
 © COPYRIGHT - By - ALL RIGHTS RESERVED.

LOC	DIST	REVISIONS			
P	LTR	DESCRIPTION	DATE	DWN	APVD
AF	50	B	REVISED PER ECR-13-001204	04JUN13	KH PD



- 1 SUPPLIED IN LOOSE PIECE
- 2 .000150 MIN PRE-TIN PLATE OVER .000100 MIN COPPER.



REQUIRED HOLE SIZE FOR STAKING INTO A .055 THICK BOARD

62747-1
PART NO.

THIS DRAWING IS A CONTROLLED DOCUMENT.		DWN	JR RUTH	17FEB06	TE Connectivity			
DIMENSIONS: INCHES		CHK	P DESANTIS	17FEB06				NAME TAB, STAKE .187 SERIES
		APVD	P DESANTIS	17FEB06	PRODUCT SPEC - APPLICATION SPEC 114-2115			
TOLERANCES UNLESS OTHERWISE SPECIFIED: 0 PLC ± - 1 PLC ± - 2 PLC ± - 3 PLC ± .015 4 PLC ± - ANGLES ± -		MATERIAL		FINISH				SIZE
BRASS					114-2115	A300779	C-62747	-
					WEIGHT	CUSTOMER DRAWING		SCALE
					-			5:1
							SHEET	REV
							1 OF 1	B