

4

3

2

1

THIS DRAWING IS UNPUBLISHED. RELEASED FOR PUBLICATION

© COPYRIGHT BY TYCO ELECTRONICS CORPORATION. ALL RIGHTS RESERVED.

LOC

DIST

REVISIONS

DW

P

LTR

DESCRIPTION

DATE

DWN

APVD

SEE SHEET 1.

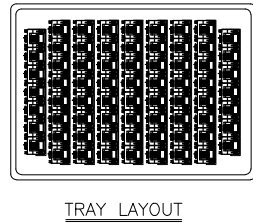
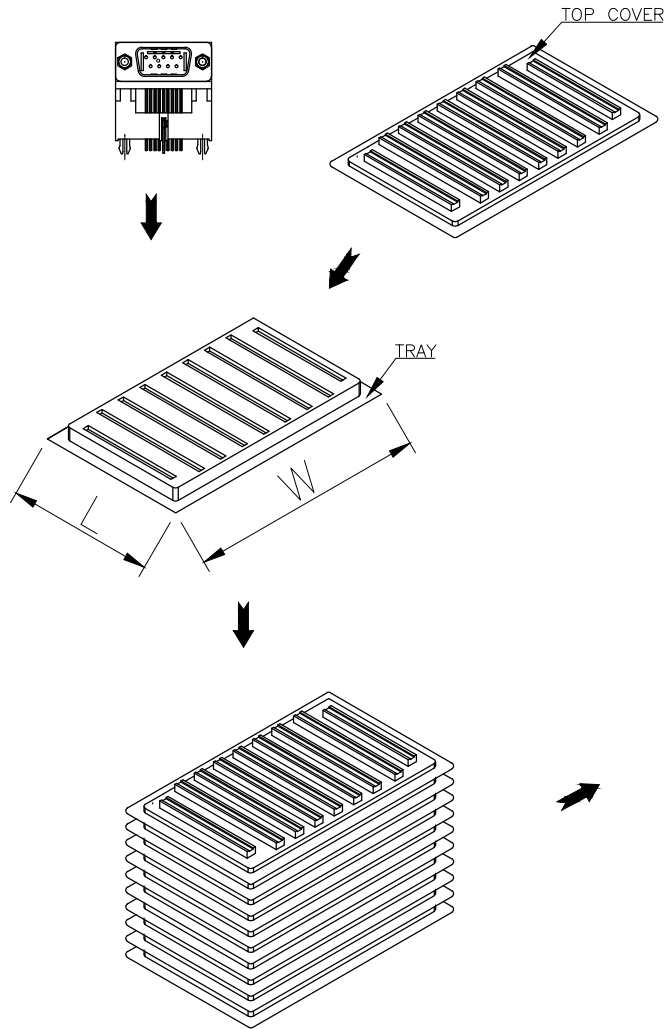
OBSOLETE

EOL	0.381um (15u")	PA6T	GREEN	8-1775414-4
EOL	GOLD FLASH	PA6T	GREEN	8-1775414-3
EOL	GOLD FLASH	PBT	GREEN	8-1775414-2
	GOLD PLATING	HSG MATERIAL	HSG COLOR	PART NUMBER

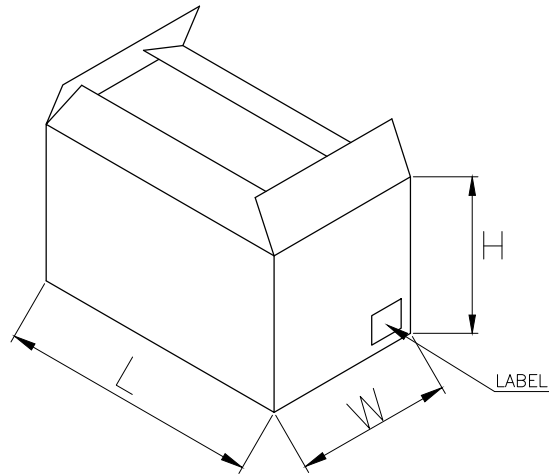
THIS DRAWING IS A CONTROLLED DOCUMENT.		DWN	STE TE Connectivity		
DIMENSIONS: MM		CHK			
TOLERANCES UNLESS OTHERWISE SPECIFIED:		APVD	NAME		
0 PLC ± -		PRODUCT SPEC	D-SUB, HIGH RISE, 9 PLUG, H=25.33mm, DIP TYPE		
1 PLC ± 0.3		QUALIFICATION TEST REPORT	SIZE	CAGE CODE	DRAWING NO
2 PLC ± 0.2			A3	00779	C=1775414
3 PLC ± -			RESTRICTED TO		
4 PLC ± -			-		
ANGLES ± 3'		WEIGHT	-		
MATERIAL	FINISH	13.5 GRAMS	SCALE	SHEET	REV
SEE NOTE	SEE NOTE	CUSTOMER DRAWING	-	2 of 3	C2

THIS DRAWING IS UNPUBLISHED. RELEASED FOR PUBLICATION
 © COPYRIGHT BY TYCO ELECTRONICS CORPORATION. ALL RIGHTS RESERVED.

LOC DW	DIST	REVISIONS			DATE	DWN	APVD
P	LTR	DESCRIPTION					
		SEE SHEET 1.					



- NOTES:
- DIMENSION:
 - 1.1 TRAY: L=285, W=250, H=29
 - 1.1 SHIPPING BOX: L=295, W=260, H=230
 - QUANTITY:
 - 2.1 PRIMARY PACKING: 70 PCS/TRAY
 - 2.2 SECONDARY PACKING: 8 TRAY/BOX (560PCS)
 - BOX WEIGHT:
 - 3.1 NET WEIGHT: 7.56 Kg
 - 3.2 GROSS WEIGHT: 9 Kg



70	8	560	9	7.56
PCS/ TRAY	TRAY/ BOX	QT'Y/ PCS	G/W (Kg)	N/W (Kg)

THIS DRAWING IS A CONTROLLED DOCUMENT.		DWN	STE TE Connectivity	
DIMENSIONS: MM		CHK		
TOLERANCES UNLESS OTHERWISE SPECIFIED:		APVD	NAME	
0 PLC ± -		PRODUCT SPEC	D-SUB, HIGH RISE, 9 PLUG, H=25.33mm, DIP TYPE	
1 PLC ± -		APPLICATION SPEC	SIZE	RESTRICTED TO
2 PLC ± -		WEIGHT	A3	
3 PLC ± -		CUSTOMER DRAWING	CAGE CODE	
4 PLC ± -			00779	
ANGLES ± -			DRAWING NO	
FINISH			C=1775414	
MATERIAL				
		SCALE	SHEET	REV
			3 of 3	C2