

1 Products affected

Product hierarchy no. *			Part no.	SBU	Type / Description	Customer part no.
SBU	PG	PGU Type				
02	005	016	0000002207	See list below	Entry Power Modul	4707

*SBU (2-digit) / PG (3-digit) / PGU (3-digit) / Type (10-digit)

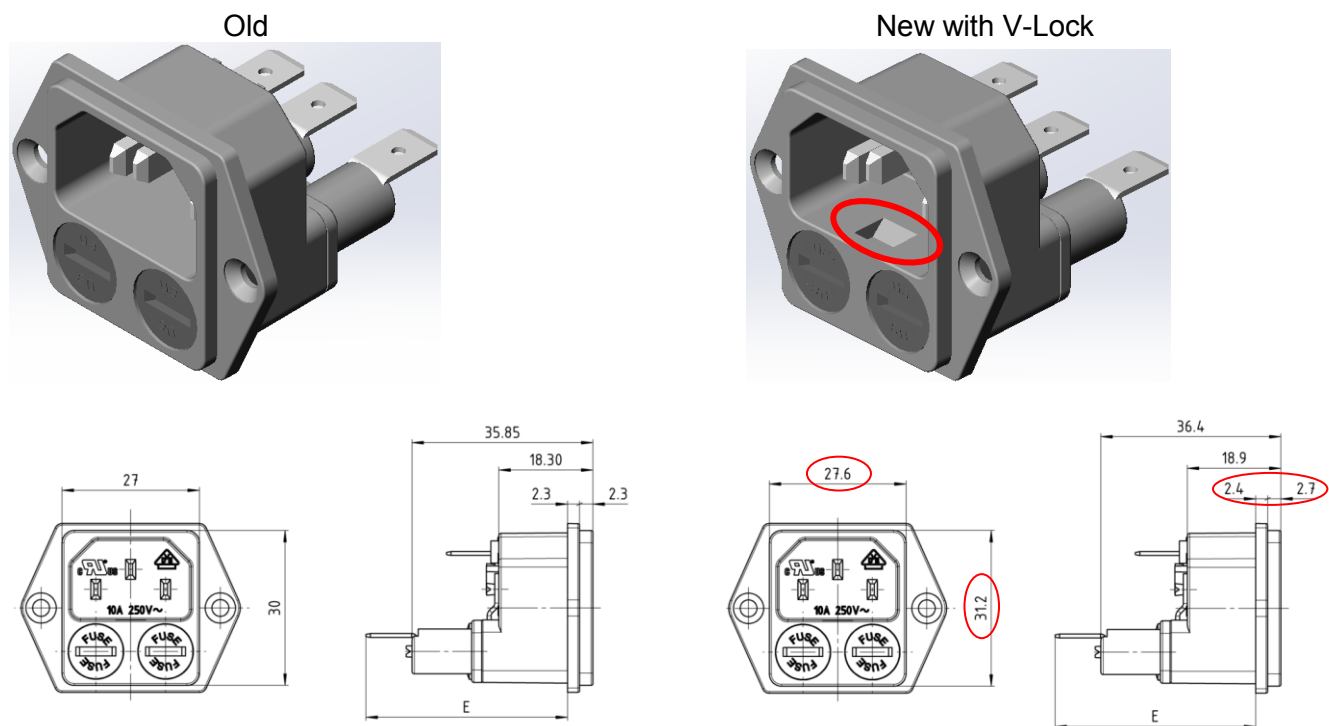
List of part numbers affected							
4707.1000	4707.1000.21	4707.1300	4707.1300.21	4707.2000	4707.2000.03.1	4707.2000.03.2	4707.2000.21
4707.2001	4707.2010.03.1	4707.2010.03.2	4707.2100	4707.2300	4707.2300.21	4707.4100	4707.9100
4707.9100.01	4707.9110						

2 Type of change

Change of material, V-Lock cord retaining feature as standard, dimensions for rear mounting cut-out increased and changes of installation depth.

3 Detailed description of change

- Material change from PA6 to PA66/6 to pass the enhanced requirements of glow wire test acc. to IEC 60695-2-12 and -13
- V-Lock feature integrated as standard (not an option anymore)
- Minor changes of some dimensions to comply with the IEC 60320 standard sheet C14
- Increased Panel cut-out for rear mounting

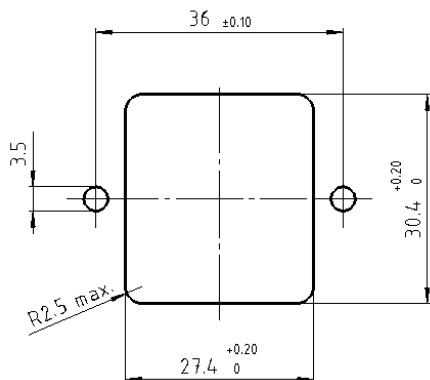


Solder terminals E= 36.70 mm
 QC-terminals 6.3x0.8 mm E= 41 mm
 QC-terminals 4.8x0.8 mm E= 39.70 mm

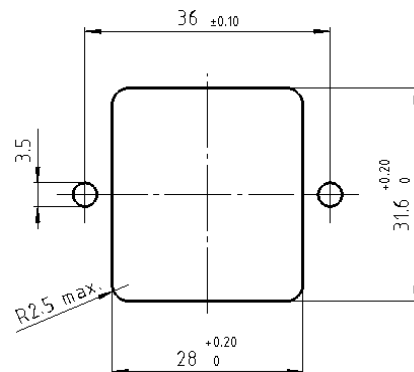
Solder terminals E= 38 mm
 QC-terminals 6.3x0.8 mm E= 41 mm
 QC-terminals 4.8x0.8 mm E= 39.50 mm

4707 Entry Power Modul					0118.2211	
creation date	created by	release date	released by	notification no.	revision	page
2014-04-08	hotzar	2014-09-19	hotzar	26073		1 of 2

Panel cut-out for front mounting (unchanged)



Panel cut-out for rear mounting (new)



As the V-Lock is now a standard feature, the material numbers with index .21 are obsolete and will be replaced by the standard number:

4707.1000.21 → 4707.1000
4707.1300.21 → 4707.1300
4707.2000.21 → 4707.2000
4707.2300.21 → 4707.2300

4 Reason of change

- The new material meets the requirements of IEC 60335-1 for appliances in attended use. This includes the enhanced requirements of glow wire tests according to IEC 60695-2-12 and -13
- Change of the connector form dimension to meet the requirements of the standard.
- V-Lock feature implemented as a standard feature.

5 Release date

The change will be rolled-out starting ww 39/2014.

6 Impact of change and recommended action

Form: Height, width and depth of front collar increased
Fit: Larger panel cut-out for rear mounting
Function: V-Lock feature is standard (not an option anymore)
Production Site: N/A
Product Label: N/A

7 Reference Documents / Attachments

Kind of document	Document number	Remarks
Data Sheet 4707		

4707 Entry Power Modul					0118.2211	
creation date	created by	release date	released by	notification no.	revision	page
2014-04-08	hotzar	2014-09-19	hotzar	26073		2 of 2