

## ACCESSORIES | CABLE REELS

37048-003-100 AND 37048-003-500

### Introduction

Both 100' and 500' reels of encoder cable are available for your own custom wiring requirements. This high quality custom BEI standard cable consists of four, low capacitance twisted pairs with an overall shield, extra large conductors for power and signal ground; all within an abrasion-resistant PVC jacket.



### Features

- BEI Standard color code
- Rated to UL 2919, 80° C, 30V
- 100 and 500 feet, continuous standard spools
- Low Capacitance data pairs (12 pF/Ft typical)
- Low resistance 22 AWG Power Pair
- Includes foil shield, braided shield and drain wire

### Applications

- Recommended for use in CE applications
- Industrial wiring for factory automation
- Low capacitance reduces sensor loading
- Extra copper on power and ground reduces line losses.
- Twisted pairs and overall shield improve noise immunity



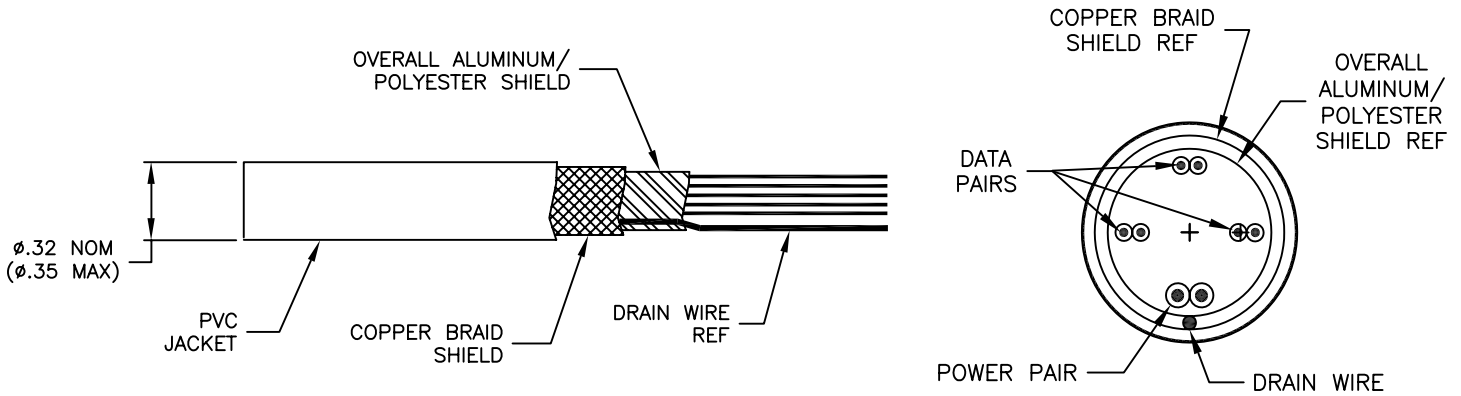
### SPECIFICATIONS

Pair	Color	Function	Wire Gage	Stranding
Pair 1	YELLOW WHT/YELLOW	A A/	AWG 24	7/32
Pair 2	BLUE WHT/BLUE	B B/		
Pair 3	ORANGE WHT/ORANGE	Z Z/		
Pair 4	RED BLACK	+V 0V	AWG 22	7/30



## DIMENSIONS

All dimensions are in inches



## NOTES

1. Tinned copper, foam polyethylene insulated, twisted pairs, overall aluminum- polyester shield, 24 AWG stranded tinned copper drain wire, overall tinned copper braid shield (65% coverage), gray PVC jacket, meeting 30 volt +80°C, UL 2919.
2. Mark cable every two feet maximum with the following information : BEI 37048-003 (UL) CM 3PR24 1PR22 shielded or AWM 2919 low voltage data cable. RoHS-II

Sensata Technologies, Inc. ("Sensata") data sheets are solely intended to assist designers ("Buyers") who are developing systems that incorporate Sensata products (also referred to herein as "components"). Buyer understands and agrees that Buyer remains responsible for using its independent analysis, evaluation and judgment in designing Buyer's systems and products. Sensata data sheets have been created using standard laboratory conditions and engineering practices. Sensata has not conducted any testing other than that specifically described in the published documentation for a particular data sheet. Sensata may make corrections, enhancements, improvements and other changes to its data sheets or components without notice.

Buyers are authorized to use Sensata data sheets with the Sensata component(s) identified in each particular data sheet. HOWEVER, NO OTHER LICENSE, EXPRESS OR IMPLIED, BY ESTOPPEL OR OTHERWISE TO ANY OTHER SENSATA INTELLECTUAL PROPERTY RIGHT, AND NO LICENSE TO ANY THIRD PARTY TECHNOLOGY OR INTELLECTUAL PROPERTY RIGHT, IS GRANTED HEREIN. SENSATA DATA SHEETS ARE PROVIDED "AS IS". SENSATA MAKES NO WARRANTIES OR REPRESENTATIONS WITH REGARD TO THE DATA SHEETS OR USE OF THE DATA SHEETS, EXPRESS, IMPLIED OR STATUTORY, INCLUDING ACCURACY OR COMPLETENESS. SENSATA DISCLAIMS ANY WARRANTY OF TITLE AND ANY IMPLIED WARRANTIES OF MERCHANTABILITY, FITNESS FOR A PARTICULAR PURPOSE, QUIET ENJOYMENT, QUIET POSSESSION, AND NON-INFRINGEMENT OF ANY THIRD PARTY INTELLECTUAL PROPERTY RIGHTS WITH REGARD TO SENSATA DATA SHEETS OR USE THEREOF.

All products are sold subject to Sensata's terms and conditions of sale supplied at [www.sensata.com](http://www.sensata.com) SENSATA ASSUMES NO LIABILITY FOR APPLICATIONS ASSISTANCE OR THE DESIGN OF BUYERS' PRODUCTS. BUYER ACKNOWLEDGES AND AGREES THAT IT IS SOLELY RESPONSIBLE FOR COMPLIANCE WITH ALL LEGAL, REGULATORY AND SAFETY-RELATED REQUIREMENTS CONCERNING ITS PRODUCTS, AND ANY USE OF SENSATA COMPONENTS IN ITS APPLICATIONS, NOTWITHSTANDING ANY APPLICATIONS-RELATED INFORMATION OR SUPPORT THAT MAY BE PROVIDED BY SENSATA.

Mailing Address: Sensata Technologies, Inc., 529 Pleasant Street, Attleboro, MA 02703, USA.

## CONTACT US

### Americas

+1 (800) 350 2727 – Option 1  
[sales.beisensors@sensata.com](mailto:sales.beisensors@sensata.com)  
**Europe, Middle East & Africa**  
 +33 (3) 88 20 8080  
[position-info.eu@sensata.com](mailto:position-info.eu@sensata.com)

### Asia Pacific

[sales.isasia@list.sensata.com](mailto:sales.isasia@list.sensata.com)  
 China +86 (21) 2306 1500  
 Japan +81 (45) 277 7117  
 Korea +82 (31) 601 2004  
 India +91 (80) 67920890  
 Rest of Asia +886 (2) 27602006  
 ext 2808