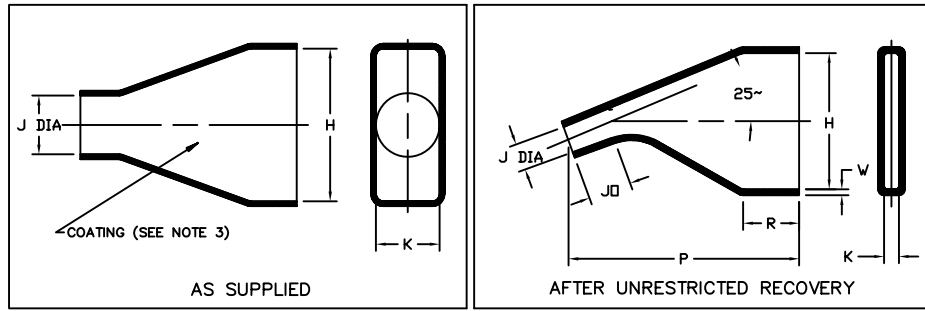


Molded Parts Specification Control Drawing

Part Number : 293A100
Description : Boot, Rectangular,
MTC Connector

NOTES

- All dimensions are in $\frac{\text{inches}}{[\text{millimeters}]}$
- Dimensions appearing in table are as follows:
a - As Supplied
b - After Unrestricted Recovery
- Coating is required. As supplied dimensions appearing in table are for uncoated parts. When coating is added, entry diameters will be reduced by .06 max.



PART NUMBER	H		J		K		P	R	JO	W
	Min a	Max b	Min a	Max b	Min a	Max b	±10% b	±10% b	±10% b	±20% b
293A100	2.43 [61,7]	2.32 [58,9]	1.20 [30,5]	.59 [15,0]	1.20 [30,5]	.26 [6,6]	4.25 [108,0]	1.00 [25,4]	1.35 [34,3]	.06 [1,5]

If this document is printed it becomes uncontrolled.
Check for the latest revision.

tyco
Electronics Raychem

TYCO ELECTRONICS
300 CONSTITUTION DRIVE
MENLO PARK, CALIFORNIA 94025

Revision : B
Date : 7/28/04

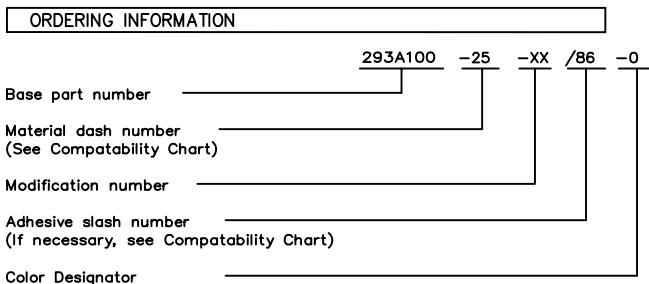
Part Number : 293A100
Description : Boot, Rectangular,
MTC Connector

© 2004 Tyco Electronics Corporation. All rights reserved

Molded Parts Specification Control Drawing

Part Number : 293A100
Description : Boot, Rectangular,
MTC Connector

MATERIAL DASH NO.	MATERIAL DESCRIPTION	RT SPEC	COATING SLASH NO.	COATING S NO.	COATING DESCRIPTION
-25	Elastomer, Fluid Resistant	RT-1325	/86	S-1048	Adhesive



THIS DRAWING IS SUBJECT TO CHANGE WITHOUT NOTICE; CONSULT YOUR
NEAREST FIELD REPRESENTATIVE FOR CURRENT REVISION

tyco
Electronics Raychem

TYCO ELECTRONICS
300 CONSTITUTION DRIVE
MENLO PARK, CALIFORNIA 94025

Revision : B
Date : 7/28/04

Part Number : 293A100
Description : Boot, Rectangular,
MTC Connector

CAD FILE MP04034