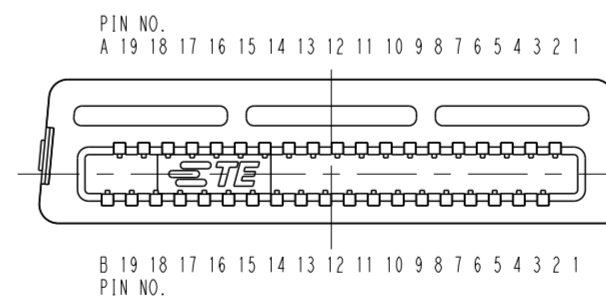
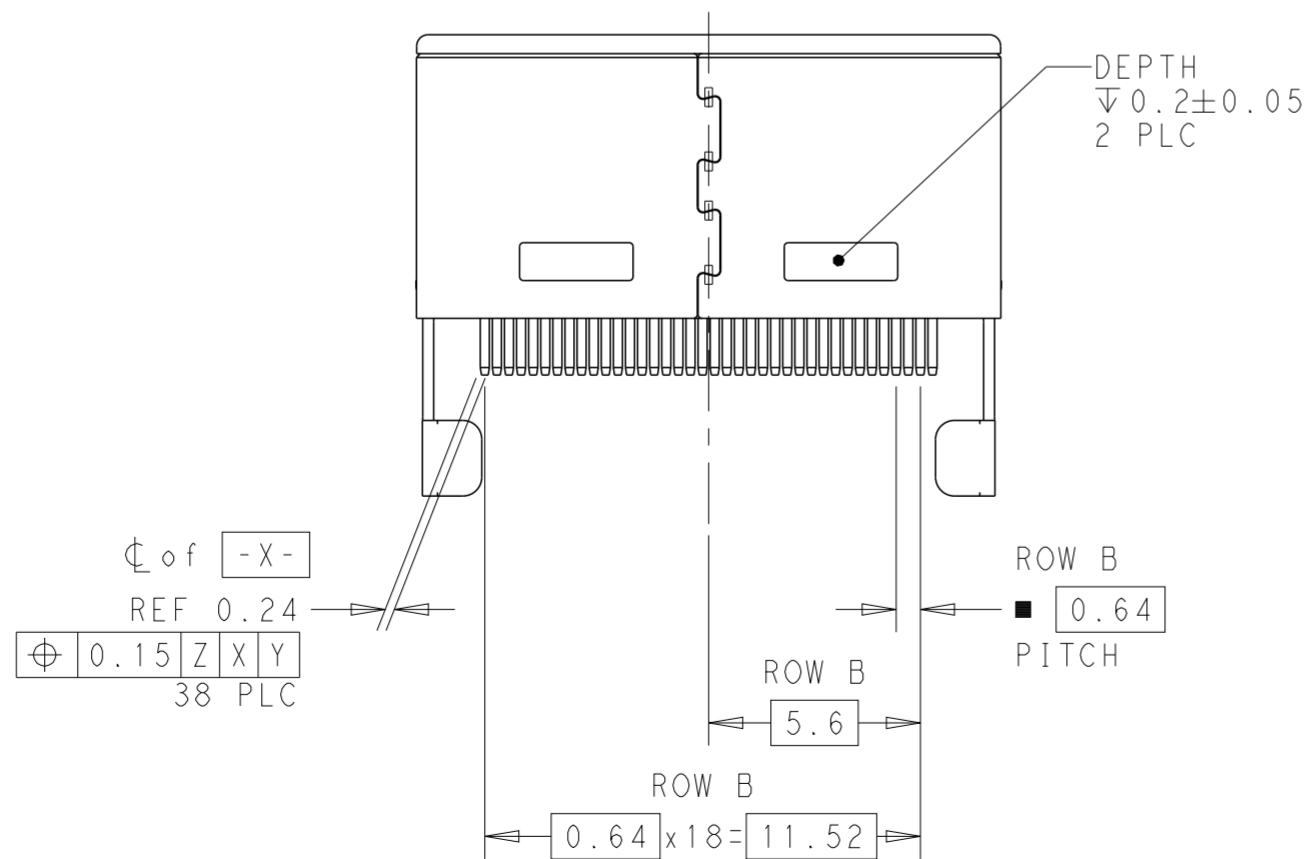
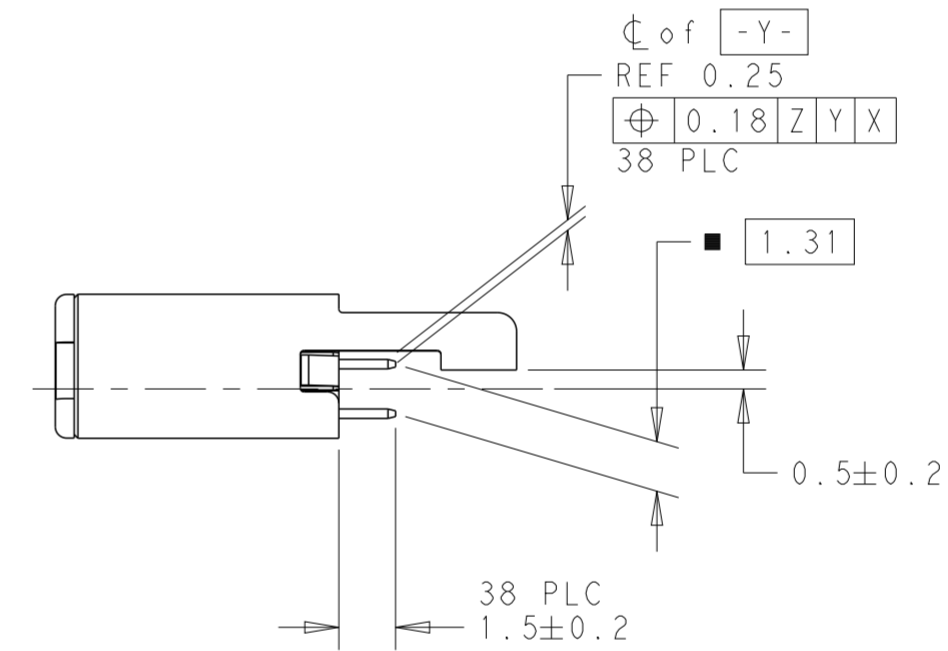
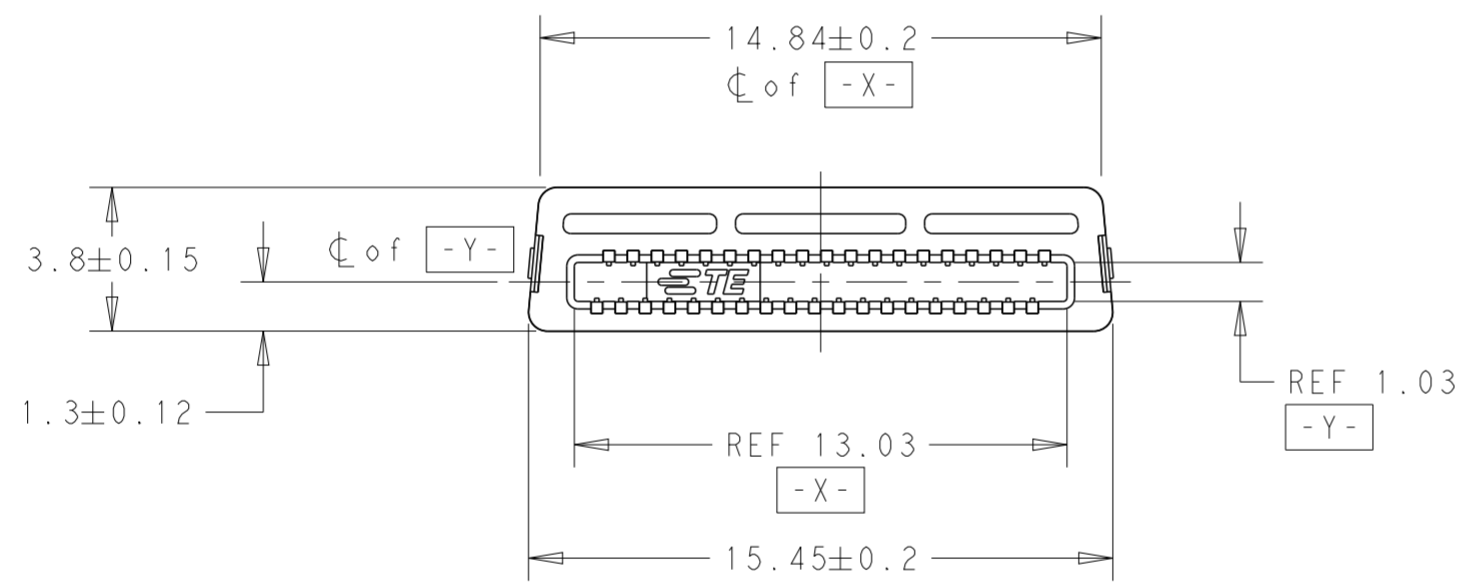
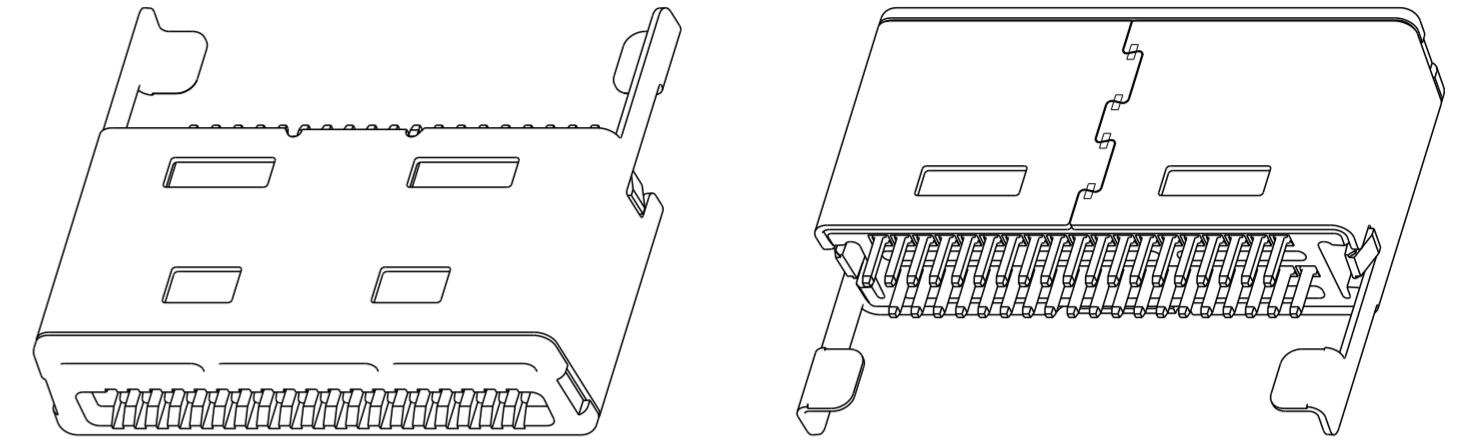
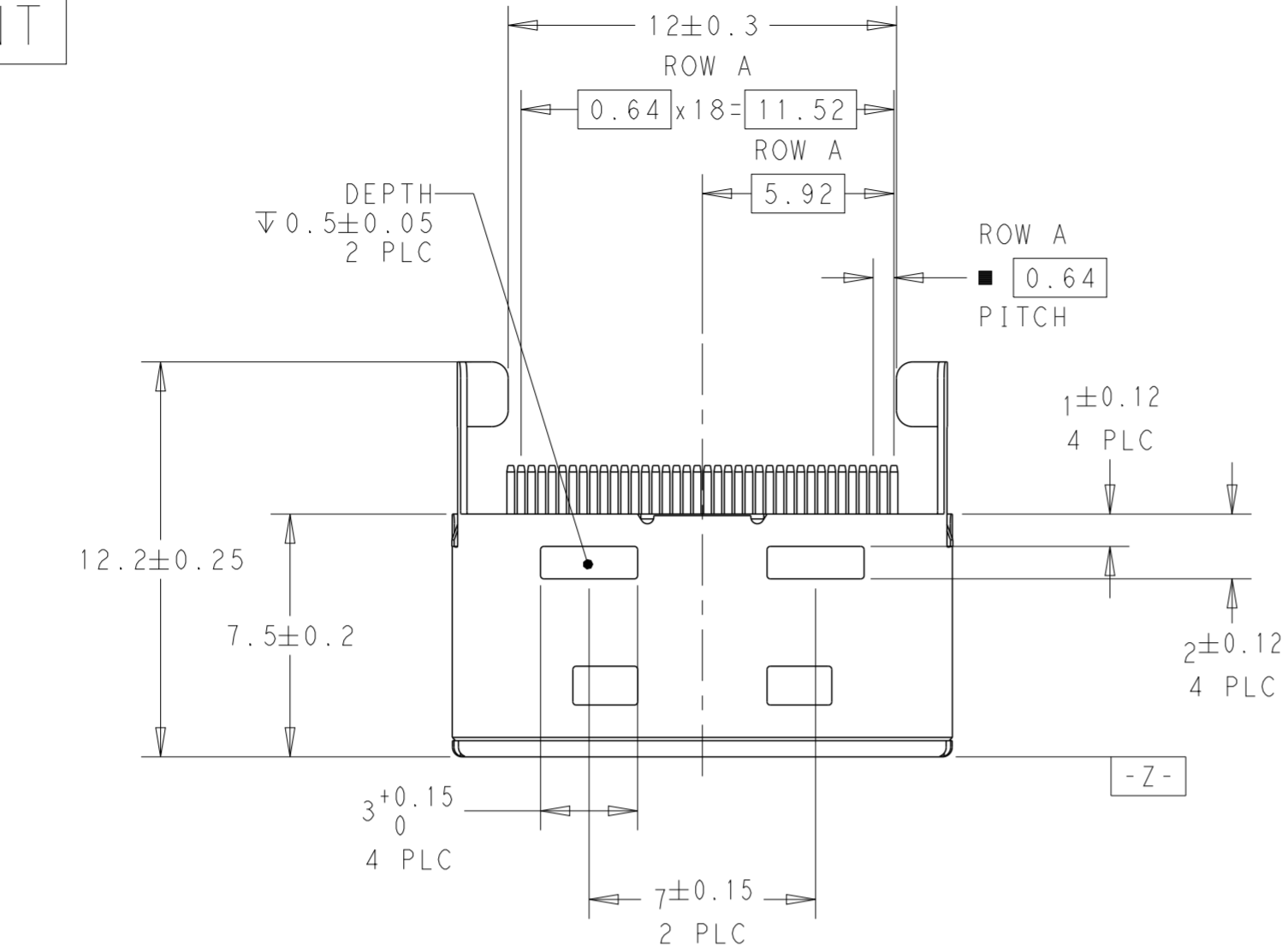


REVISIONS					
P	LTR	DESCRIPTION	DATE	DWN	APVD
A1		REVISED	16MAR2015	Y.S	M.K
A2		REVISED	18JUN2015	Y.S	M.K
B		REVISED	28JAN2016	Y.S	M.K
B1		REVISED	19JUL2021	Y.S	M.K

RoHS COMPLIANT



THIS DRAWING IS A CONTROLLED DOCUMENT.		DWN Y. SASAKI 09DEC2013	TE Connectivity		
DIMENSIONS: mm [INCHES]		CHK M. KIMURA 09DEC2013			
TOLERANCES UNLESS OTHERWISE SPECIFIED:		APVD M. KIMURA 09DEC2014	PRODUCT SPEC 108-140067		
0-PLC ±0.15 1-PLC ±0.2 2-PLC ±0.01 3-PLC ±0.001 4-PLC ±0.0001 ANGLES ±0.5 FINISH -		APPLICATION SPEC -		SIZE A2	CAGE CODE -
MATERIAL SEE TABLE 1		WEIGHT 0.99g		DRAWING NO. C-2822023	
CUSTOMER DRAWING			SCALE 5:1		SHEET 1 OF 2
					REV B1

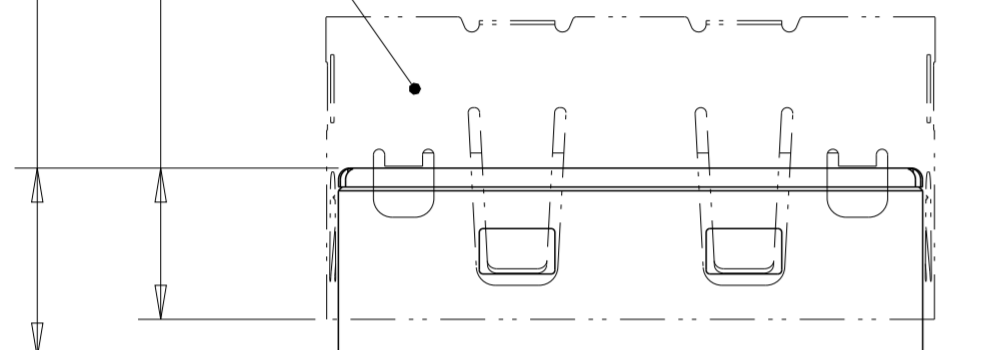
REVISIONS				
P	LTR	DESCRIPTION	DATE	APVD
-	-	SEE SHEET 1	-	-

ROHS COMPLIANT

5 MIN. CLEARANCE FOR PLUG COVER.

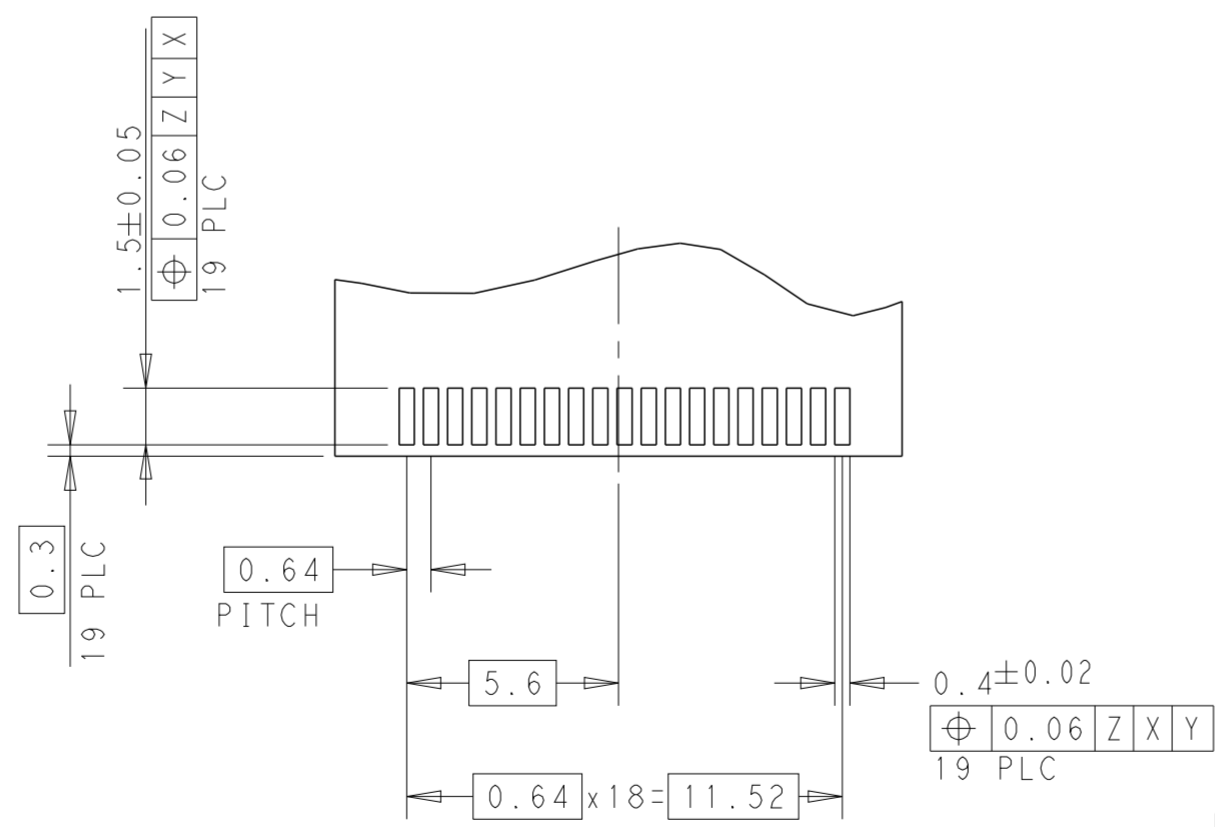
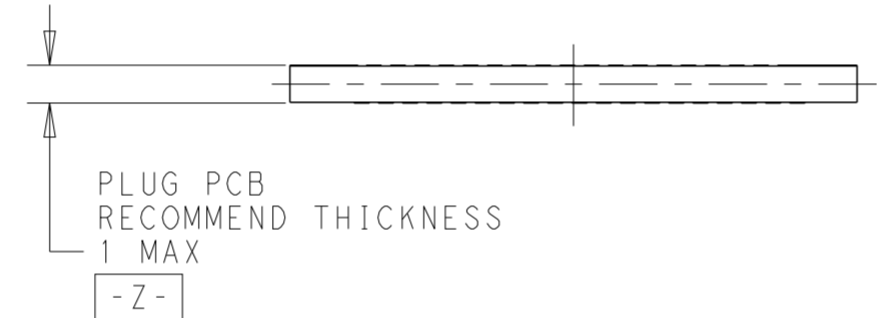
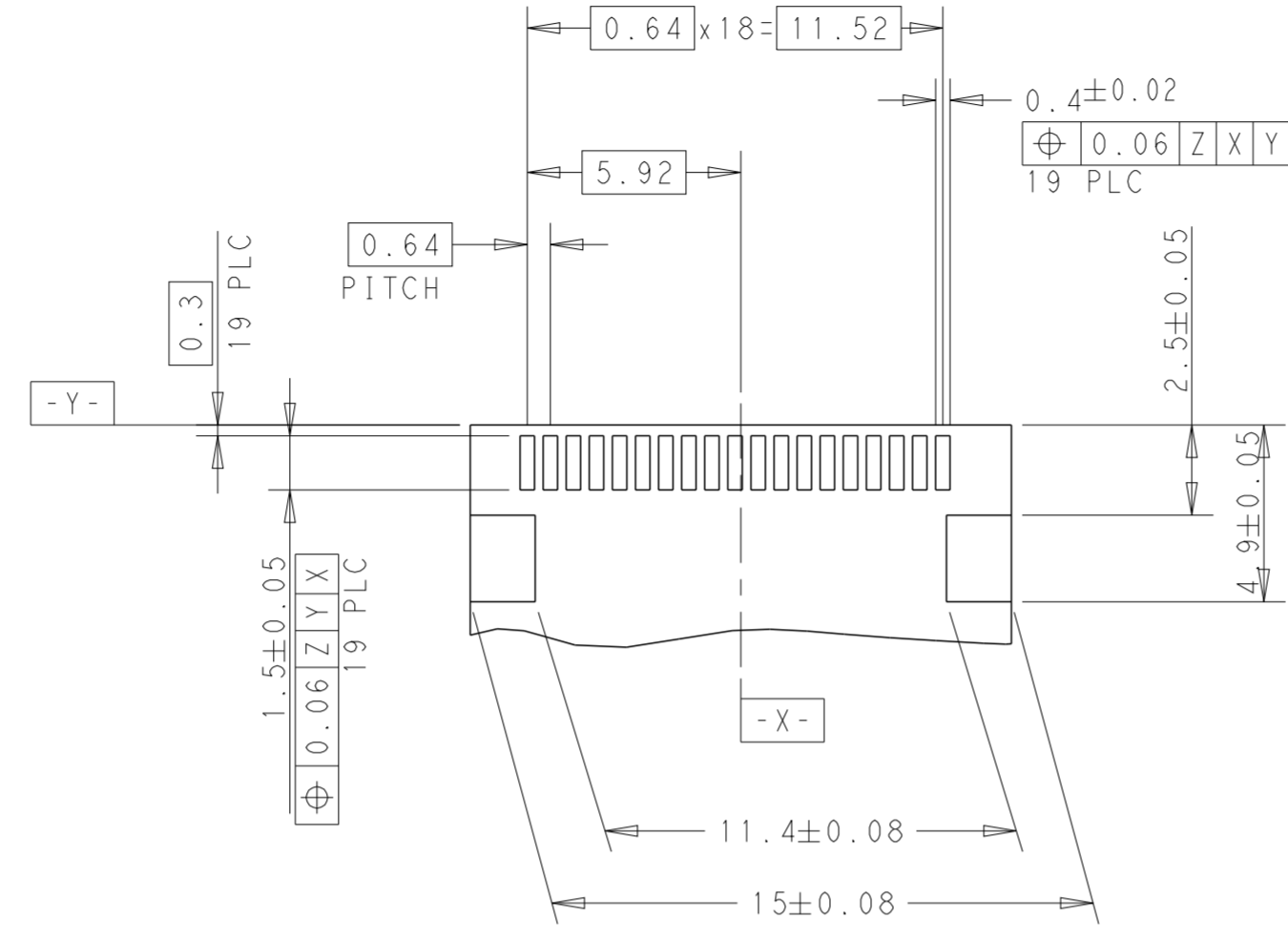
REF 4 EFFECTIVE MATING LENGTH.

APPLICABLE RECEPTACLE CONNECTOR P/N : 2822022-\*



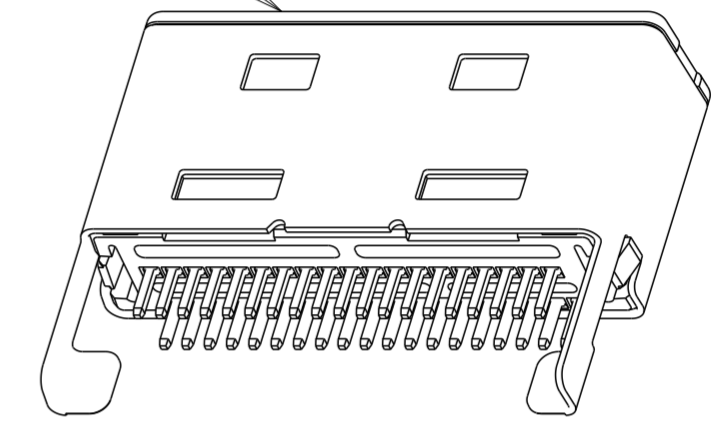
MOLDE, CASE, COVER CAPABLE.

REFERANCE MATING LENGTH AND CLEARANCE FOR COVER



REFERANCE PLUG PCB PAD DIMENSION (CABLE TERMINATION BOARD)

1 2 3



- 1. USED MATERIAL : SEE TABLE
- 2. REFLOW OR SPLDERING  
 REFLOW CONDITION : AIR REFLOW, TEST PCB BOARD THICKNESS : 1.0 mm MAX.  
 PEAK 250°C~255°C, 230°C MIN 30±10sec, 150°C~180°C 90±30sec.

QTY	NAME	MATERIAL	ITEM NO
1	PLUG OUTER SHELL KEEN EDGE CONNECTOR SERIES	BRASS	3
38	PLUG TAB CONTACT KEEN EDGE CONNECTOR SERIES	BRASS	2
1	PLUG HOUSING KEEN EDGE CONNECTOR SERIES	LCP BLACK	1
- 1	NAME	MATERIAL	ITEM NO

THIS DRAWING IS A CONTROLLED DOCUMENT.

DIMENSIONS: mm [INCHES]	TOLERANCES UNLESS OTHERWISE SPECIFIED: 0-PLC ±0.15 1-PLC ±0.2 2-PLC ±0.1 3-PLC ±0.001 4-PLC ±0.0001 ANGLES ±0.5 FINISH -	DWN Y. SASAKI 09DEC2013 CHK M. KIMURA 09DEC2013 APVD M. KIMURA 09DEC2014	TE Connectivity		
MATERIAL SEE TABLE 1	PRODUCT SPEC 108-140067	APPLICATION SPEC -	NAME PLUG CONNECTOR ASSEMBLY HASAKI 38P PLUG CONNECTOR KEEN EDGE CONNECTOR SERIES	SIZE A2	RESTRICTED TO -
CUSTOMER DRAWING		WEIGHT -	SCALE 5:1	SHEET 2 OF 2	REV B1