

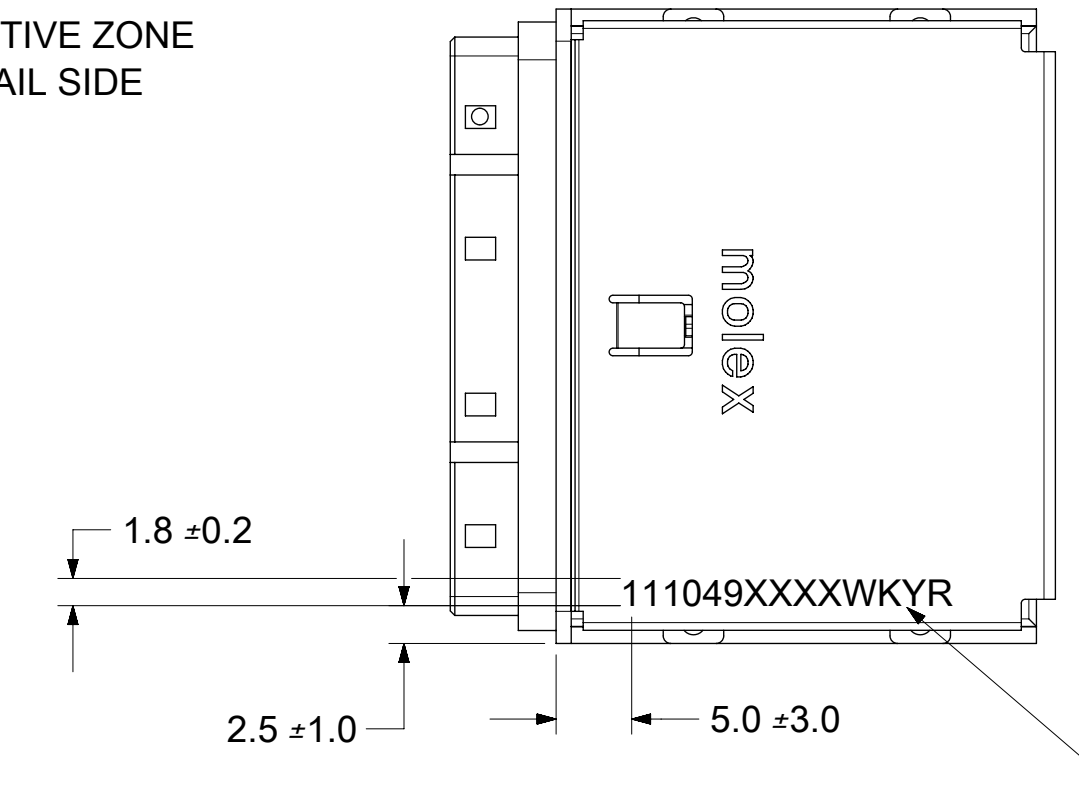
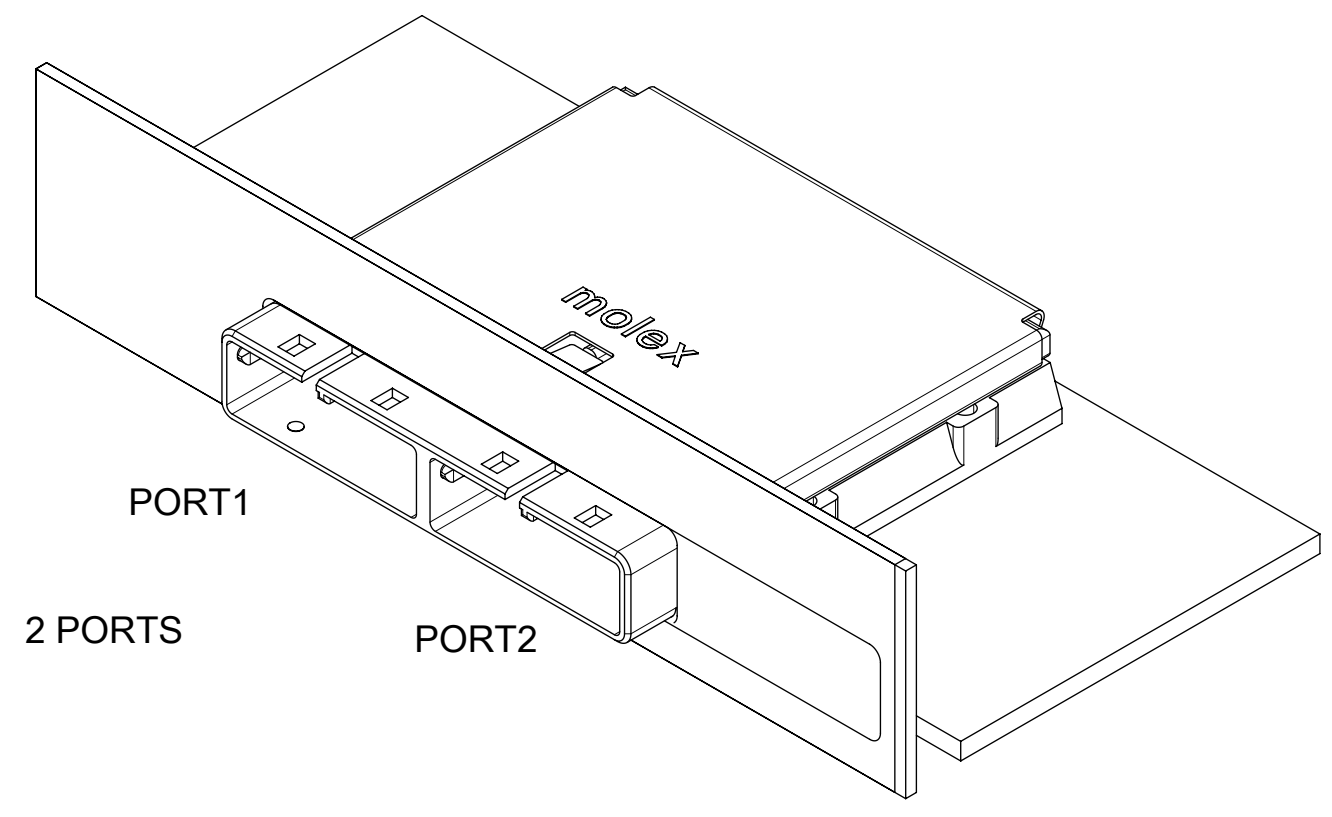
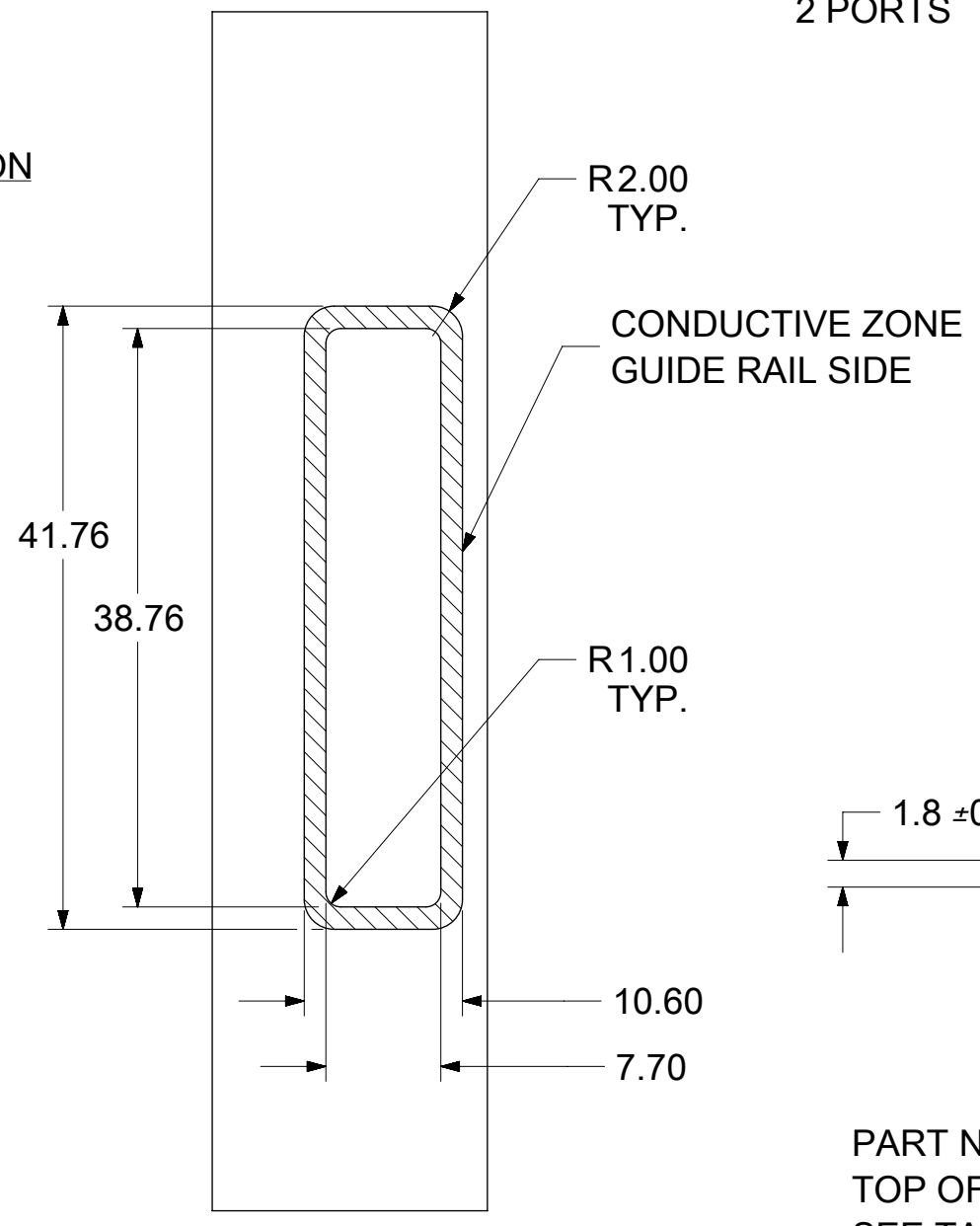
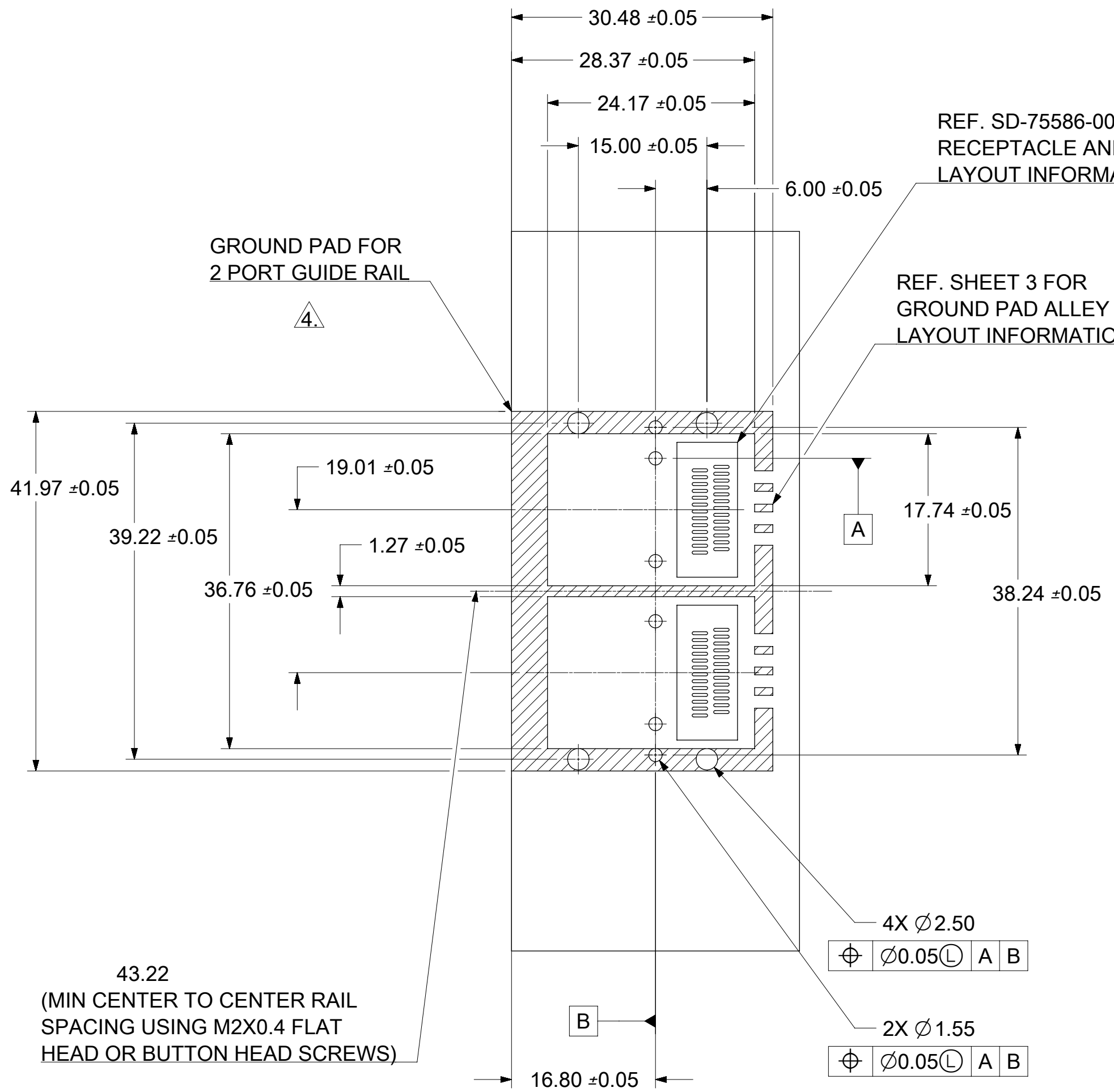
PART NO. AND WEEK/YEAR DATE CODE TO BE PRINTED ON TOP OF COVER APPROXIMATELY AS SHOWN. SEE TABLE BELOW FOR DATE CODE INFORMATION.

WEEK/YEAR DATE CODE TABLE	
WK	WEEK OF THE YEAR 01 THRU 52 (EXAMPLE: 01= FIRST WEEK OF YEAR 52= LAST WEEK OF YEAR)
YR	18, 19, 20 ETC.. (EXAMPLE: YEAR 2019= 19)

PART NUMBER	PORT SIZE	SW	OAW	KEY(S) PORT1	KEY(S) PORT2	KEY(S) PORT3	KEY(S) PORT4	IDENTIFIERS
1110490107	4	76.30	80.00	2,4	2,4	2,4	2,4	SAS OUT PORT/END DEVICE
1110490108	4	76.30	80.00	4,6	4,6	4,6	4,6	SAS IN PORT/END DEVICE
1110490109	4	76.30	80.00	4	4	4	4	SAS UNIVERSAL PORT

- NOTES:
- PCB AND BRACKET SHOWN FOR REFERENCE ONLY.
 - REF. SD-74547-100 FOR KEY POSITIONS
 - GUIDE HOUSING MOUNTING THREAD= M2 X 0.40, SEE SHEET 3 FOR SCREW LENGTH + TORQUE SPEC.
 - PLATE GROUND PAD WITH EMERSION SILVER OR GOLD.
 - MATERIAL:
 - GUIDE HOUSING - ZINC DIECAST, NICKEL PLATED.
 - COVER - STAINLESS STEEL.
 - GASKET - CONDUCTIVE ELASTOMER.
 - NO RoHS EXEMPTIONS.
 - GUIDE HOUSING PEGS FOR ALIGNMENT ONLY, DO NOT SOLDER.

SYMBOLS	THIS DRAWING CONTAINS INFORMATION THAT IS PROPRIETARY TO MOLEX ELECTRONIC TECHNOLOGIES, LLC AND SHOULD NOT BE USED WITHOUT WRITTEN PERMISSION	
	DIMENSION UNITS	SCALE
▽ = 0	mm	2:1
▽ = 0	GENERAL TOLERANCES (UNLESS SPECIFIED)	
▽ = 0	ANGULAR TOL ± 1.0°	
▽ = 0	4 PLACES ±	
▽ = 0	3 PLACES ±	
▽ = 0	2 PLACES ± 0.13	
▽ = 0	1 PLACE ± 0.25	
▽ = 0	0 PLACES ±	
▽ = 0	DRAFT WHERE APPLICABLE MUST REMAIN WITHIN DIMENSIONS	
CURRENT REV DESC: SEE REVISION TABLE		EC NO: 610316
		DRWN: PMAHADEVAPPA 2018/12/20
		CHK'D: VK10 2019/01/11
		APPR: RCHEN08 2019/01/15
		INITIAL REVISION:
		DRWN: PMAHADEVAPPA 2018/12/20
		APPR: RCHEN08 2019/01/15
THIRD ANGLE PROJECTION		DRAWING SERIES
C-SIZE		111049
MATERIAL NUMBER		CUSTOMER
SEE P/N TABLE		
DOCUMENT NUMBER		DOC TYPE DOC PART REVISION
1110490010		PSD ASY G
SHEET NUMBER		1 OF 4

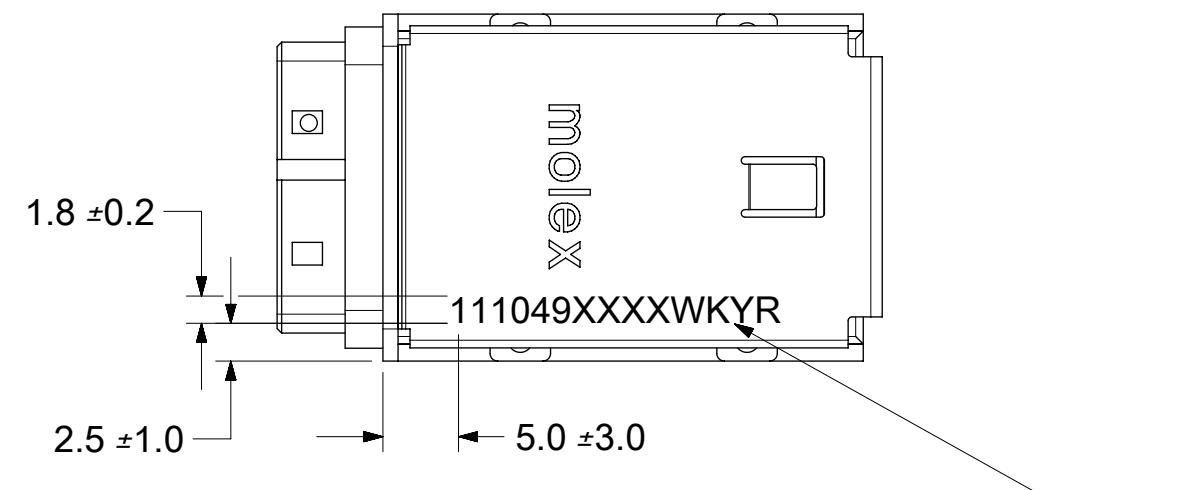
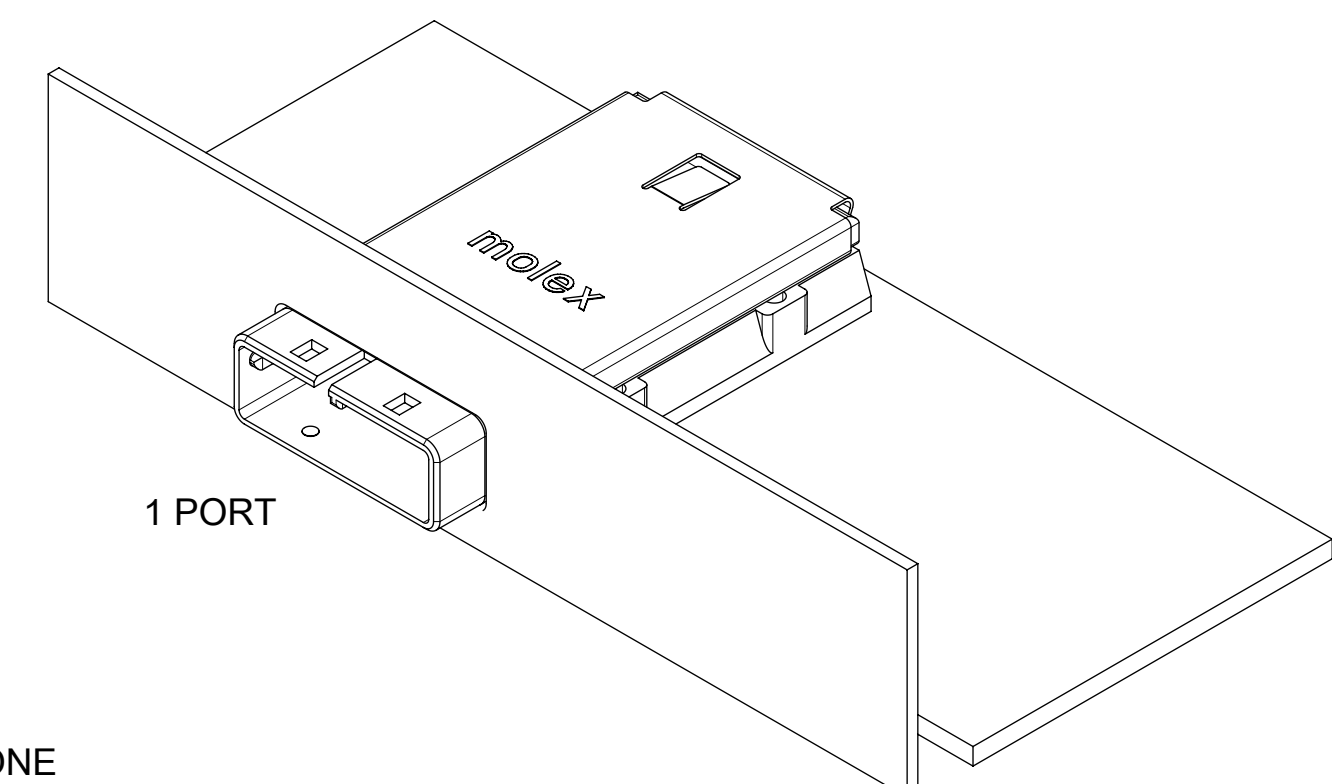


PART NO. AND WEEK/YEAR DATE CODE TO BE PRINTED ON TOP OF COVER APPROXIMATELY AS SHOWN. SEE TABLE BELOW FOR DATE CODE INFORMATION.

WEEK/YEAR DATE CODE TABLE	
WK	WEEK OF THE YEAR 01 THRU 52 (EXAMPLE: 01= FIRST WEEK OF YEAR 52= LAST WEEK OF YEAR)
YR	19, 20, 21 ETC.. (EXAMPLE: YEAR 2019= 19)

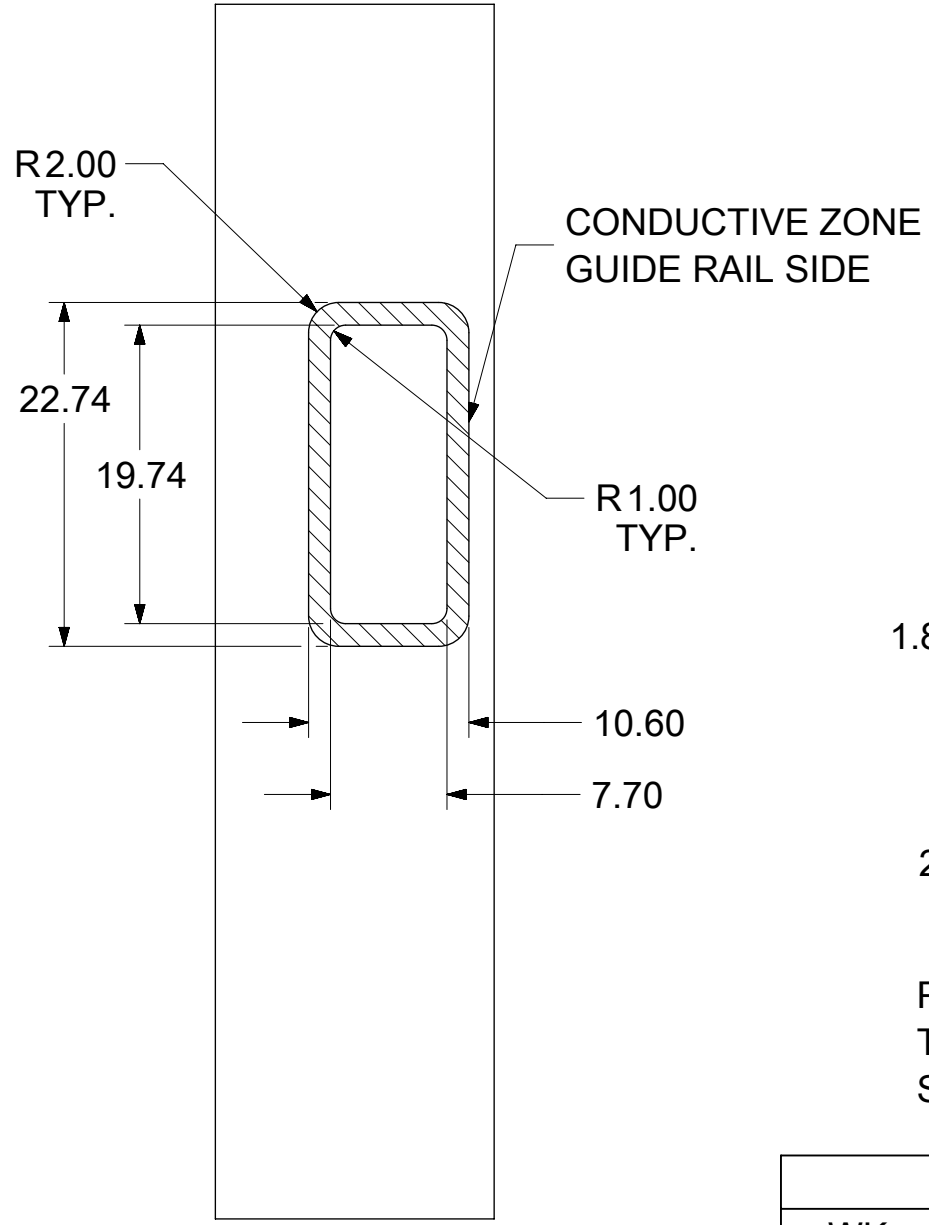
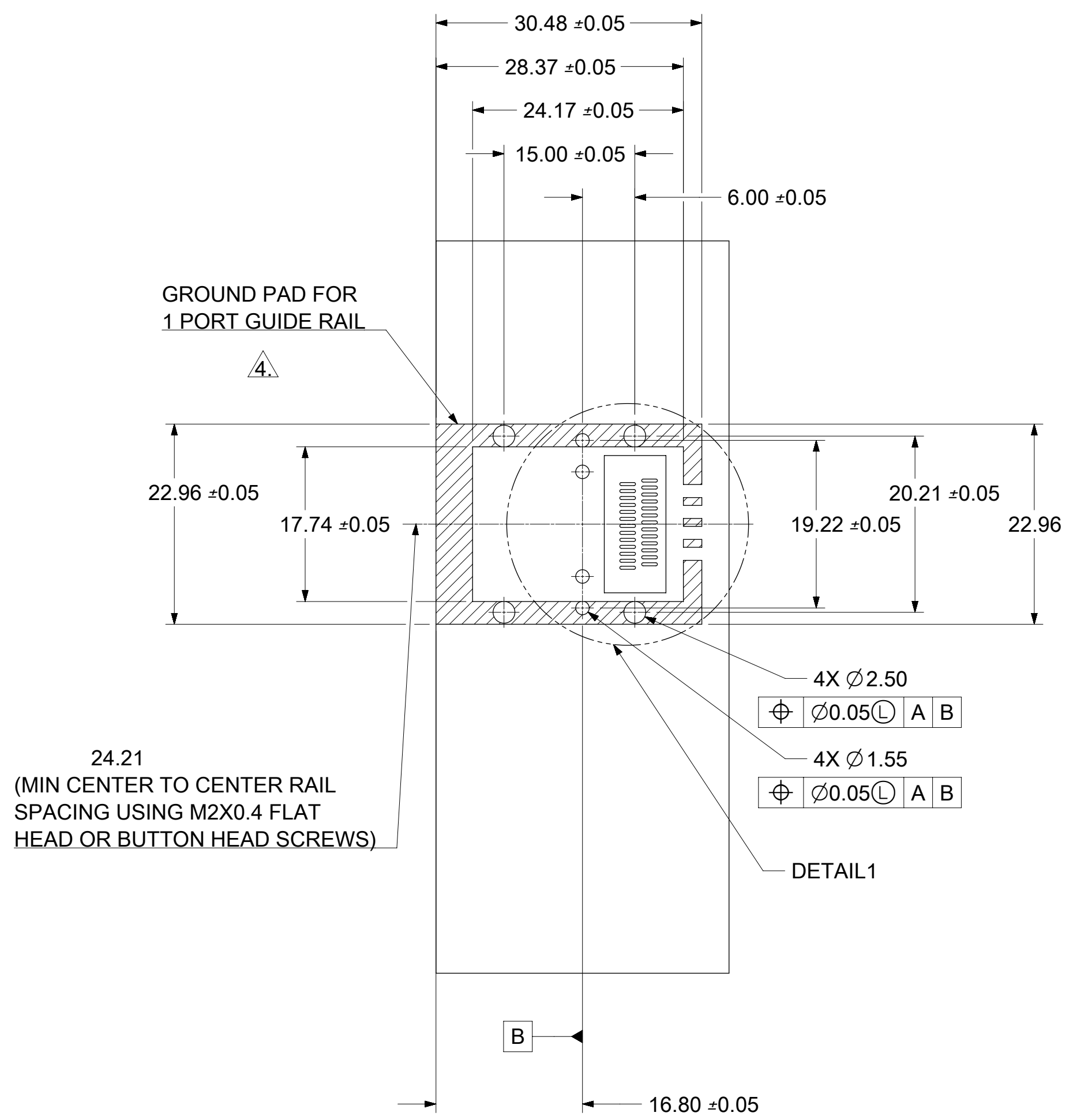
PART NUMBER	PORT SIZE	SW	OAW	KEY(S) PORT1	KEY(S) PORT2	IDENTIFIERS
1110490104	2	38.26	41.96	2,4	2,4	SAS OUT PORT/END DEVICE
1110490105	2	38.26	41.96	4,6	4,6	SAS IN PORT/END DEVICE
1110490106	2	38.26	41.96	4	4	SAS UNIVERSAL PORT
1110490110	2	38.26	41.96	2,4	4,6	SAS OUT PORT/SAS IN PORT
1110490121	2	38.26	41.96	6	6	SAS IN PORT

SYMBOLS		THIS DRAWING CONTAINS INFORMATION THAT IS PROPRIETARY TO MOLEX ELECTRONIC TECHNOLOGIES, LLC AND SHOULD NOT BE USED WITHOUT WRITTEN PERMISSION	
▽ = 0	mm	SCALE	2:1
▽ = 0	GENERAL TOLERANCES (UNLESS SPECIFIED)		
▽ = 0	ANGULAR TOL ± 1.0°		
▽ = 0	4 PLACES	±	
▽ = 0	3 PLACES	±	
▽ = 0	2 PLACES	± 0.13	
▽ = 0	1 PLACE	± 0.25	
▽ = 0	0 PLACES	±	
▽ = 0	DRAFT WHERE APPLICABLE MUST REMAIN WITHIN DIMENSIONS		
CURRENT REV DESC: SEE REVISION TABLE		EC NO: 610316	
		DRWN: PMAHADEVAPPA 2018/12/20	
		CHK'D: VK10 2019/01/11	
		APPR: RCHEN08 2019/01/15	
INITIAL REVISION:		DRWN: PMAHADEVAPPA 2018/12/20	
		APPR: RCHEN08 2019/01/15	
THIRD ANGLE PROJECTION		DRAWING SERIES	
C-SIZE		111049	
DOCUMENT NUMBER		1110490010	
DOC TYPE		PSD ASY G	
DOC PART			
REVISION			
MATERIAL NUMBER		SEE P/N TABLE	
CUSTOMER			
SHEET NUMBER		2 OF 4	

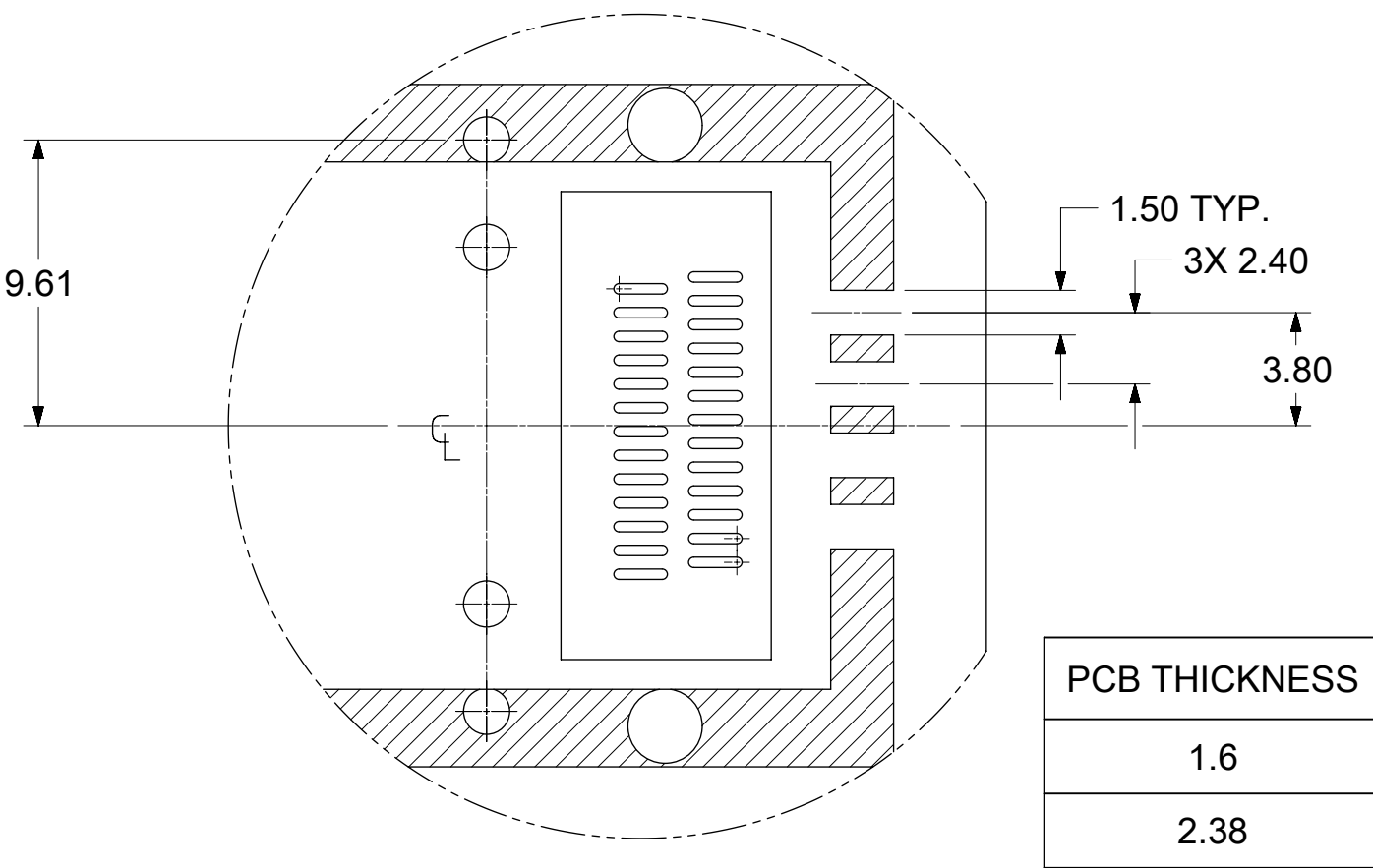


PART NO. AND WEEK/YEAR DATE CODE TO BE PRINTED ON TOP OF COVER APPROXIMATELY AS SHOWN. SEE TABLE BELOW FOR DATE CODE INFORMATION.

WK	WEEK OF THE YEAR 01 THRU 52 (EXAMPLE: 01= FIRST WEEK OF YEAR 52= LAST WEEK OF YEAR)
YR	19, 20, 21 ETC.. (EXAMPLE: YEAR 2019= 19)



IO BRACKET WINDOW



DETAIL1
SCALE 4:1


PCB THICKNESS	SCREW LENGTH	TORQUE (IN LBS)
1.6	5MM	2.3
2.38	6MM	2.3
3.2	6MM	2.3
X	+4MM MAX	2.3

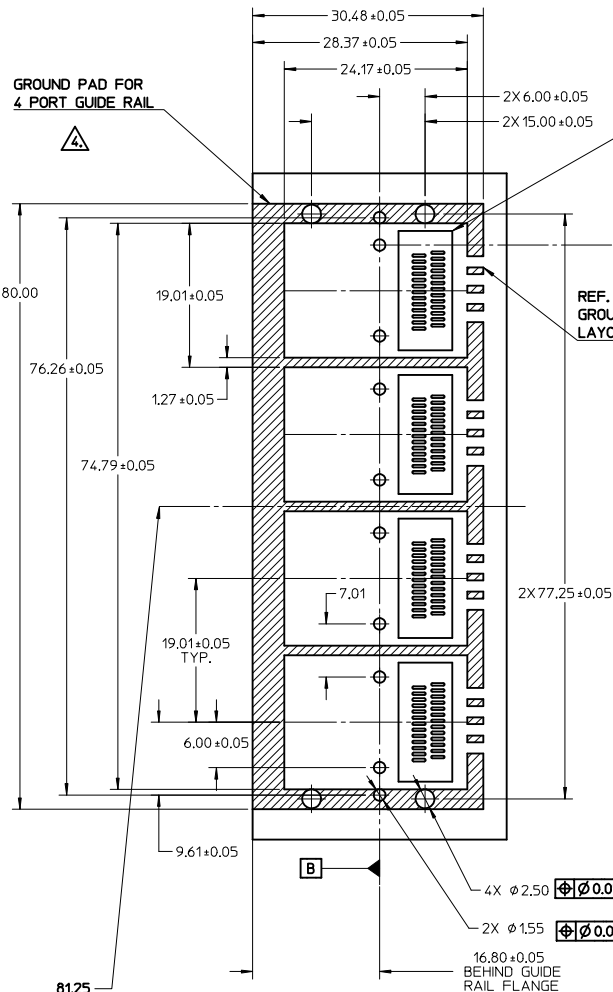
PART NUMBER	PORT SIZE	SW	OAW	KEY(S)	IDENTIFIERS
1110490101	1	19.24	22.95	2,4	SAS OUT PORT/END DEVICE
1110490102	1	19.24	22.95	4,6	SAS IN PORT/END DEVICE
1110490103	1	19.24	22.95	4	SAS UNIVERSAL PORT
1110490120	1	19.24	22.95	2	SAS OUT PORT
1110490401	1	19.24	22.95	4	SAS UNIVERSAL PORT WITH 6MM SCREWS

SYMBOLS ▽ = 0 ▽ = 0 ▽ = 0 ▽ = 0 ▽ = 0 ▽ = 0 ▽ = 0 ▽ = 0 ▽ = 0 ▽ = 0 ▽ = 0 ▽ = 0	DIMENSION UNITS mm	SCALE 2:1	CURRENT REV DESC: SEE REVISION TABLE			molex	
	GENERAL TOLERANCES (UNLESS SPECIFIED)			IPASS SAS 2.0 26CKT			
	ANGULAR TOL ± 1.0°			GUIDE HOUSING ASSEMBLY 0 DEGREE, MULTIPORT			
EC NO: 610316			PRODUCT CUSTOMER DRAWING			DOCUMENT NUMBER 1110490010	
DRWN: PMAHADEVAPPA 2018/12/20			DOC TYPE DOC PART REVISION				
CHK'D: VK10 2019/01/11			PSD ASY G			SHEET NUMBER 3 OF 4	
APPR: RCHEN08 2019/01/15			MATERIAL NUMBER				
INITIAL REVISION:			C-SIZE 111049			SEE P/N TABLE	
DRWN: PMAHADEVAPPA 2018/12/20			SERIES				
APPR: RCHEN08 2019/01/15			CUSTOMER				
DRAFT WHERE APPLICABLE MUST REMAIN WITHIN DIMENSIONS			THIRD ANGLE PROJECTION			MATERIAL NUMBER SEE P/N TABLE	
DRAWING			SERIES				
C-SIZE 111049			CUSTOMER				

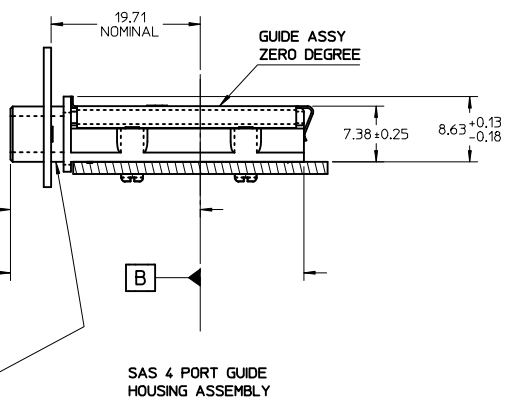
REVISION HISTORY

DATE	REV	DESCRIPTION
2015/01/30	F	1. ADDED "MM 3D MODEL: EM-111049-010 (SD_PACKAGE)" ON LEFT TOP CORNER. [SHT 1] 2. NOTE 6 CHANGED AS "NO RoHS EXEMPTIONS". [SHT 1] 3. ADDED P/N:111049-0401 INTO P/N TABLE. [SHT 3]
2018/12/20	G	1. REMASTERED FROM SD-111049-010 REV_F TO 1110490010 PSD ASY REV_G IN NX/ECTR. 2. SHEET 1: F: 3: VIEW ADDED FOR DATE CODE REPRESENTATION. 3. SHEET 2: E: 2: VIEW ADDED FOR DATE CODE REPRESENTATION. 4. SHEET 3: F: 3: VIEW ADDED FOR DATE CODE REPRESENTATION.

SYMBOLS						THIS DRAWING CONTAINS INFORMATION THAT IS PROPRIETARY TO MOLEX ELECTRONIC TECHNOLOGIES, LLC AND SHOULD NOT BE USED WITHOUT WRITTEN PERMISSION							
DIMENSION UNITS		SCALE		CURRENT REV DESC: SEE REVISION TABLE		 IPASS SAS 2.0 26CKT GUIDE HOUSING ASSEMBLY 0 DEGREE, MULTIPOST PRODUCT CUSTOMER DRAWING							
mm		2:1											
GENERAL TOLERANCES (UNLESS SPECIFIED)				EC NO: 610316									
ANGULAR TOL ± 1.0°				DRWN: PMAHADEVAPPA 2018/12/20		DOCUMENT NUMBER		DOC TYPE		DOC PART		REVISION	
4 PLACES ±				CHK'D: VK10 2019/01/11		1110490010		PSD		ASY		G	
3 PLACES ±				APPR: RCHEN08 2019/01/15		INITIAL REVISION:		MATERIAL NUMBER		CUSTOMER		SHEET NUMBER	
2 PLACES ± 0.13				DRWN: PMAHADEVAPPA 2018/12/20		SEE P/N TABLE						4 OF 4	
1 PLACE ± 0.25				APPR: RCHEN08 2019/01/15									
0 PLACES ±				DRAFT WHERE APPLICABLE MUST REMAIN WITHIN DIMENSIONS		THIRD ANGLE PROJECTION		DRAWING		SERIES			
						C-SIZE		111049					



(MIN CENTER TO CENTER RAIL SPACING USING M2X0.4 FLAT HEAD OR BUTTON HEAD SCREWS)

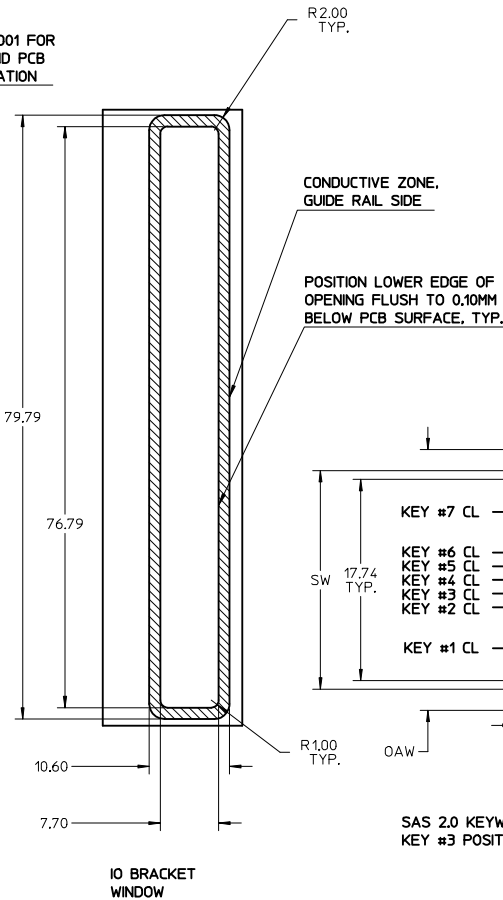


EMI GASKET NOT SHOWN FOR CLARITY

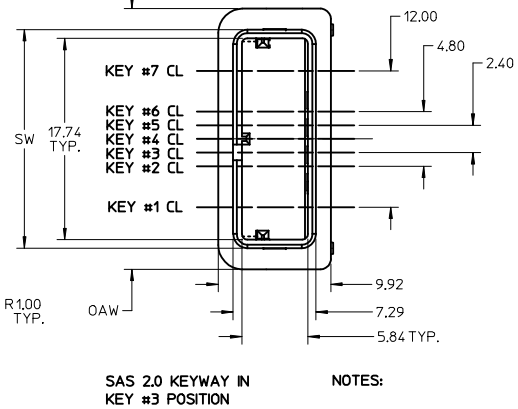
SAS 4 PORT GUIDE HOUSING ASSEMBLY

REF. SD-75586-001 FOR RECEPTACLE AND PCB LAYOUT INFORMATION

REF. SHEET 3 FOR GROUND PAD ALLEY LAYOUT INFORMATION



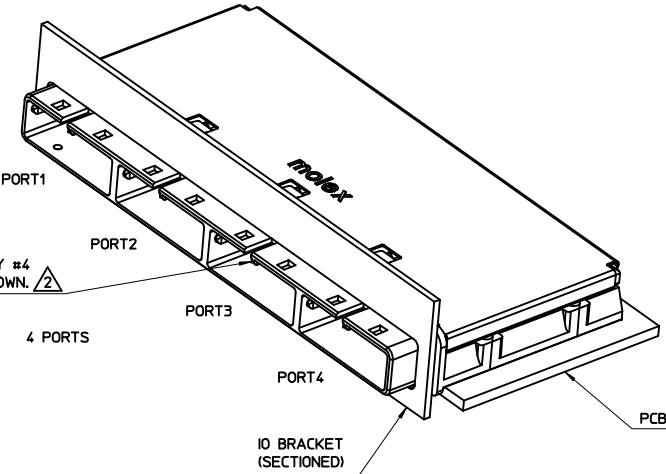
IO BRACKET WINDOW



SAS 2.0 KEYWAY IN KEY #3 POSITION

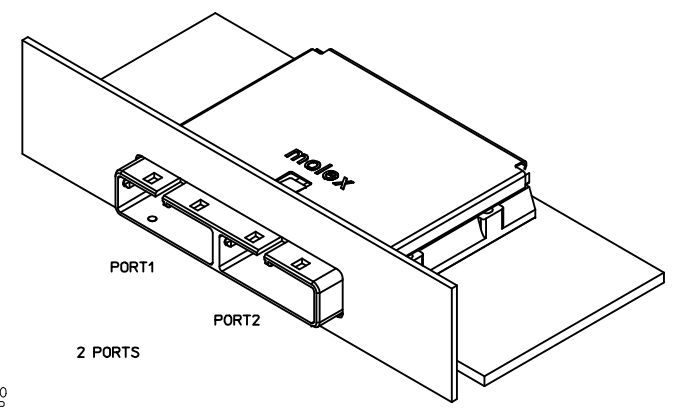
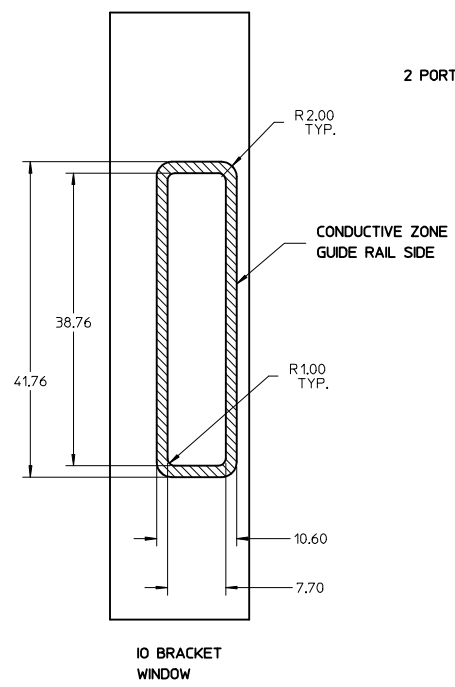
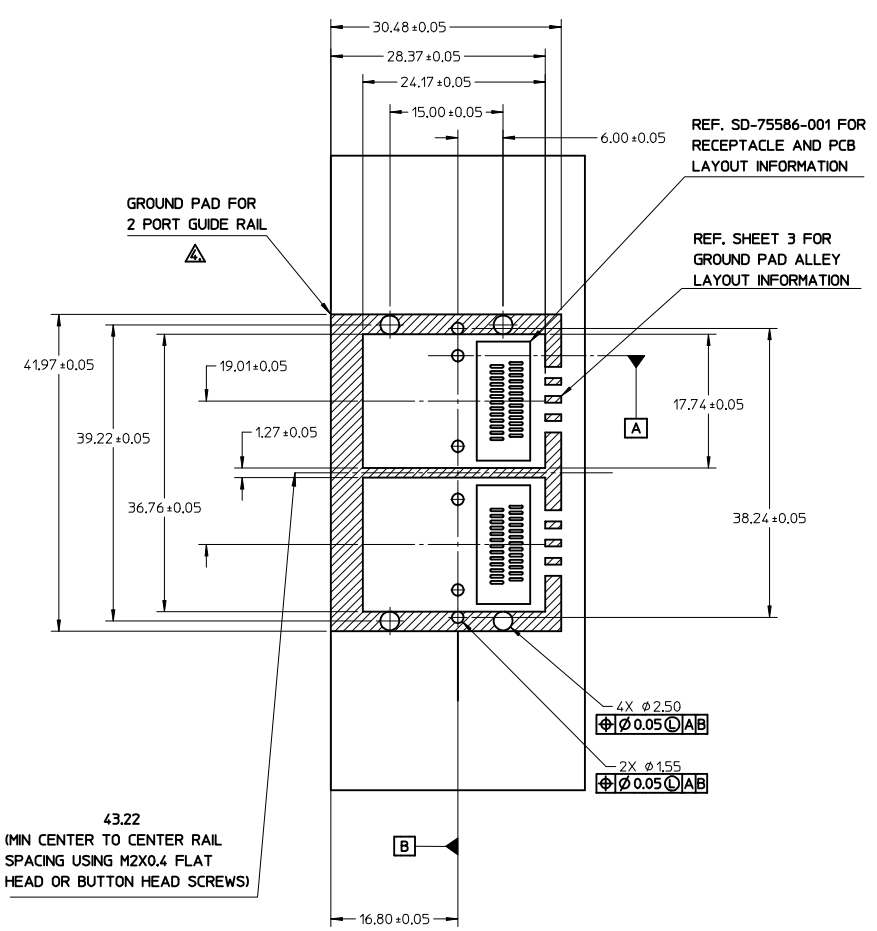
NOTES:

1. PCB AND BRACKET SHOWN FOR REFERENCE ONLY.
2. REF. SD-74547-100 FOR KEY POSITIONS
3. GUIDE HOUSING MOUNTING THREAD= M2 X 0.40, SEE SHEET 3 FOR SCREW LENGTH + TORQUE SPEC.
4. PLATE GROUND PAD WITH EMERSION SILVER OR GOLD.
5. MATERIAL:
GUIDE HOUSING - ZINC DIECAST, NICKEL PLATED.
COVER - STAINLESS STEEL.
GASKET - CONDUCTIVE ELASTOMER.
6. NO RoHS EXEMPTIONS.
7. GUIDE HOUSING PEGS FOR ALIGNMENT ONLY, DO NOT SOLDER.



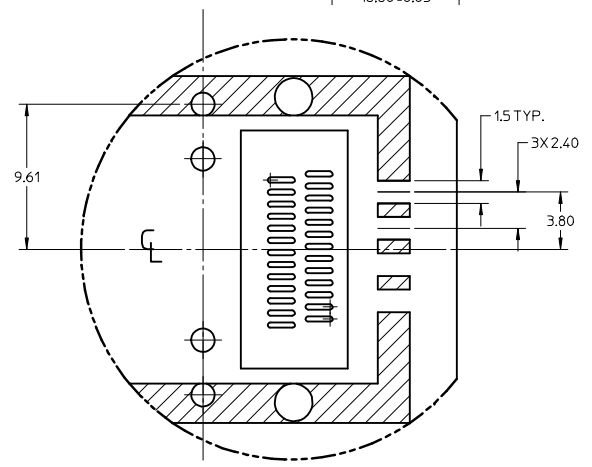
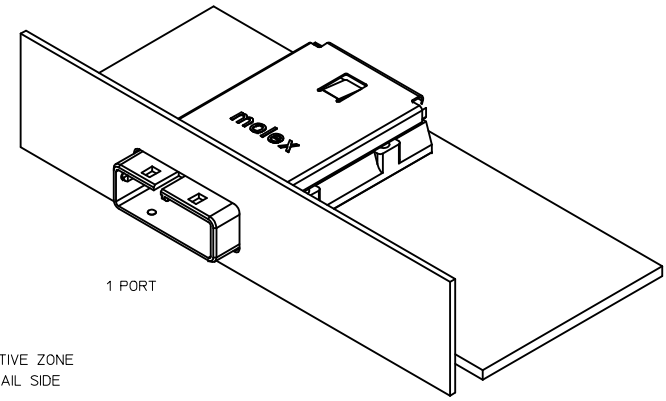
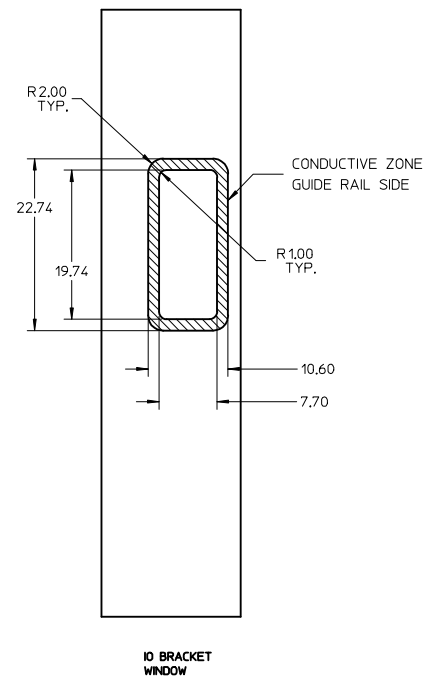
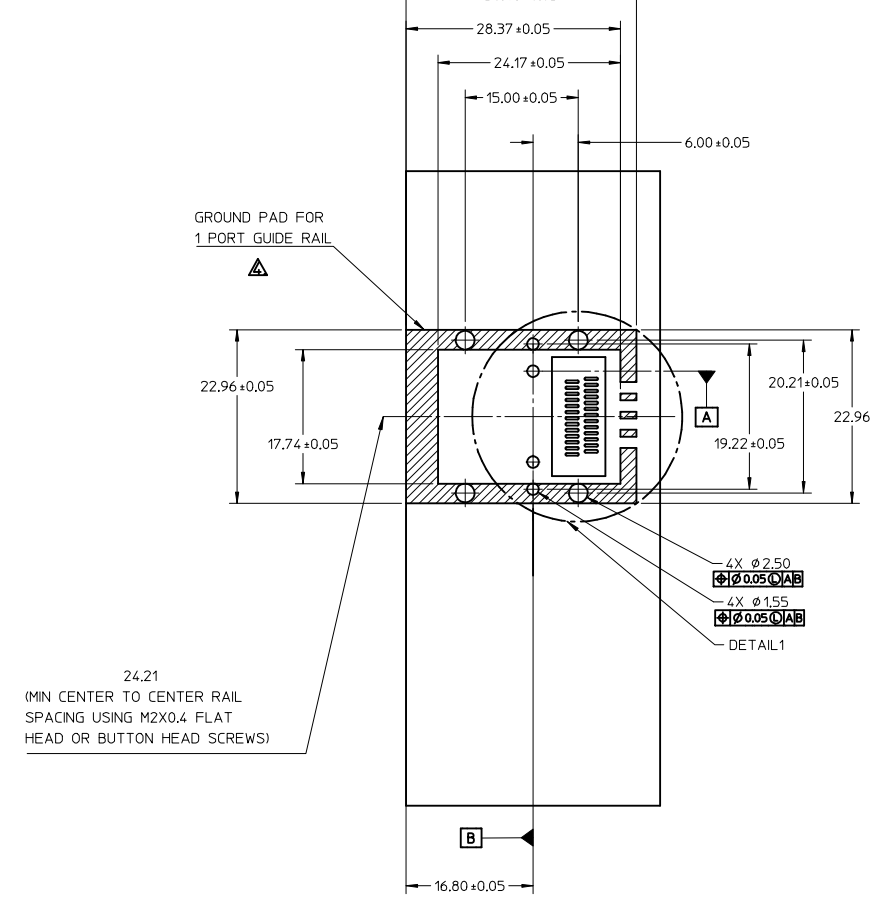
PART NUMBER	PORT SIZE	SW	DAW	KEY(S) PORT1	KEY(S) PORT2	KEY(S) PORT3	KEY(S) PORT4	IDENTIFIERS
1110490107	4	76.30	80.00	2,4	2,4	2,4	2,4	SAS OUT PORT/END DEVICE
1110490108	4	76.30	80.00	4,6	4,6	4,6	4,6	SAS IN PORT/END DEVICE
1110490109	4	76.30	80.00	4	4	4	4	SAS UNIVERSAL PORT

SEE REVISION TABLE EC NO: CPG2015-4013 DRW: LULU20 CHKD: SYANG16 APPR: RCHEN08 2015/01/29 2015/02/06 2015/05/18	QUALITY SYMBOLS	GENERAL TOLERANCES (UNLESS SPECIFIED)	DIMENSION STYLE	SCALE	DESIGN UNITS	THIRD ANGLE PROJECTION
	▽=0	mm INCH	MM ONLY	2:1	METRIC	
	▽=0	4 PLACES ± --- ± ---	DRAWN BY DATE	TITLE IPASS SAS 2.0 26CT GUIDE HOUSING ASSEMBLY 0 DEGREE, MULTI PORT molex		
	▽=0	3 PLACES ± --- ± ---	BREED 2008/10/07			
	▽=0	2 PLACES ± 0.13 ± ---	CHECKED BY DATE	DOCUMENT NO. SD-111049-010		
▽=0	1 PLACE ± 0.25 ± ---	DDOYE 2008/10/07				
▽=0	0 PLACE ± --- ± ---	APPROVED BY DATE	SHEET NO. 1 OF 4			
	ANGULAR ± 1 °	DDOYE 2008/10/07				
SEE P/N TABLE DRAFT WHERE APPLICABLE MUST REMAIN WITHIN DIMENSIONS		THIS DRAWING CONTAINS INFORMATION THAT IS PROPRIETARY TO MOLEX INCORPORATED AND SHOULD NOT BE USED WITHOUT WRITTEN PERMISSION				



PART NUMBER	PORT SIZE	SW	OAW	KEY(S) PORT1	KEY(S) PORT2	IDENTIFIERS
1110490104	2	38.26	41.96	2.4	2.4	SAS OUT PORT/END DEVICE
1110490105	2	38.26	41.96	4.6	4.6	SAS IN PORT/END DEVICE
1110490106	2	38.26	41.96	4	4	SAS UNIVERSAL PORT
1110490110	2	38.26	41.96	2.4	4.6	SAS OUT PORT/SAS IN PORT
1110490121	2	38.26	41.96	6	6	SAS IN PORT

SEE REVISION TABLE EC NO: CFG2015-4013 TDRWNLJ20 2015/01/29 CHKD:SYANG16 2015/02/06 APPR:RCHEN08 2015/05/18 REVISION SYMBOLS DESCRIPTION	QUALITY SYMBOLS	GENERAL TOLERANCES (UNLESS SPECIFIED)	DIMENSION STYLE	SCALE	DESIGN UNITS	THIRD ANGLE PROJECTION
		mm INCH	MM ONLY	2:1	METRIC	
		4 PLACES ± --- ± ---	DRAWN BY DATE	IPASS SAS 2.0 26CKT GUIDE HOUSING ASSEMBLY 0 DEGREE, MULTIPORT molex SD-111049-010 SHEET NO. 2 OF 4		
		3 PLACES ± --- ± ---	CHECKED BY DATE			
	2 PLACES ± 0.13 ± ---	DDOYE 2008/10/07				
	1 PLACE ± 0.25 ± ---	APPROVED BY DATE				
	0 PLACE ± --- ± ---	DDOYE 2008/10/07	MATERIAL NO.	DOCUMENT NO.		
ANGULAR ± 1 ° DRAFT WHERE APPLICABLE MUST REMAIN WITHIN DIMENSIONS			SEE P/N TABLE			
THIS DRAWING CONTAINS INFORMATION THAT IS PROPRIETARY TO MOLEX INCORPORATED AND SHOULD NOT BE USED WITHOUT WRITTEN PERMISSION						



PCB THICKNESS	SCREW LENGTH	TORQUE (IN LBS)
1.6 (.063')	5MM	2.3
2.38 (.093')	6MM	2.3
3.2 (.125')	6MM	2.3
X	+4MM MAX	2.3

PART NUMBER	PORT SIZE	SW	OAW	KEY(S)	IDENTIFIERS
1110490101	1	19.24	22.95	2.4	SAS OUT PORT/END DEVICE
1110490102	1	19.24	22.95	4.6	SAS IN PORT/END DEVICE
1110490103	1	19.24	22.95	4	SAS UNIVERSAL PORT
1110490120	1	19.24	22.95	2	SAS OUT PORT
1110490401	1	19.24	22.95	4	SAS UNIVERSAL PORT WITH 6MM SCREWS

SEE REVISION TABLE EC NO: CPG2015-4013 TDRWINLU20 2015/01/29 CHKD:SYANG16 2015/02/06 APPR:RCHEN08 2015/05/18	QUALITY SYMBOLS ▽ = 0 ▽ = 0 ▽ = 0	GENERAL TOLERANCES (UNLESS SPECIFIED) mm INCH 4 PLACES ± --- ± --- 3 PLACES ± --- ± --- 2 PLACES ± 0.13 ± --- 1 PLACE ± 0.25 ± --- 0 PLACE ± --- ± --- ANGULAR ± 1 °	DIMENSION STYLE MM ONLY DRAWN BY DATE BREED 2008/10/07 CHECKED BY DATE DDOYE 2008/10/07 APPROVED BY DATE DDOYE 2008/10/07	SCALE 2:1 DESIGN UNITS METRIC THIRD ANGLE PROJECTION	TITLE IPASS SAS 2.0 26CKT GUIDE HOUSING ASSEMBLY 0 DEGREE, MULTI PORT moLEX	DOCUMENT NO. SD-111049-010 SHEET NO. 3 OF 4
	DRAFT WHERE APPLICABLE MUST REMAIN WITHIN DIMENSIONS		MATERIAL NO. SEE P/N TABLE	THIS DRAWING CONTAINS INFORMATION THAT IS PROPRIETARY TO MOLEX INCORPORATED AND SHOULD NOT BE USED WITHOUT WRITTEN PERMISSION		

REVISION HISTORY

DATE	REV	DESCRIPTION
2015/01/30	F	1. ADDED *MM 3D MODEL: EM-111049-010 (SD_PACKAGE)* ON LEFT TOP CORNER. [SHT 1] 2. NOTE 6 CHANGED AS *NO RoHS EXEMPTIONS*. [SHT 1] 3. ADDED P/N:111049-0401 INTO P/N TABLE. [SHT 3]

SEE REVISION TABLE EC NO: CFG2015-4013 2015/01/29 DRWN:LLU20 2015/02/06 CHKD:SYANG16 2015/05/18 APPR:RCHEM08	QUALITY SYMBOLS DESCRIPTION REV	GENERAL TOLERANCES (UNLESS SPECIFIED)		DIMENSION STYLE MM ONLY		SCALE	DESIGN UNITS METRIC	THIRD ANGLE PROJECTION	
		4 PLACES ± --- ± --- 3 PLACES ± --- ± --- 2 PLACES ± 0.13 ± --- 1 PLACE ± 0.25 ± --- 0 PLACE ± --- ± ---		DRAWN BY DATE BREED 2008/10/07 CHECKED BY DATE DDOYE 2008/10/07 APPROVED BY DATE DDOYE 2008/10/07		TITLE	IPASS SAS 2.0 26CKT GUIDE HOUSING ASSEMBLY 0 DEGREE, MULTIPOINT molex	SHEET NO. 4 OF 4	
ANGULAR ± 1 ° DRAFT WHERE APPLICABLE MUST REMAIN WITHIN DIMENSIONS				SEE P/N TABLE		DOCUMENT NO. SD-111049-010		MATERIAL NO.	