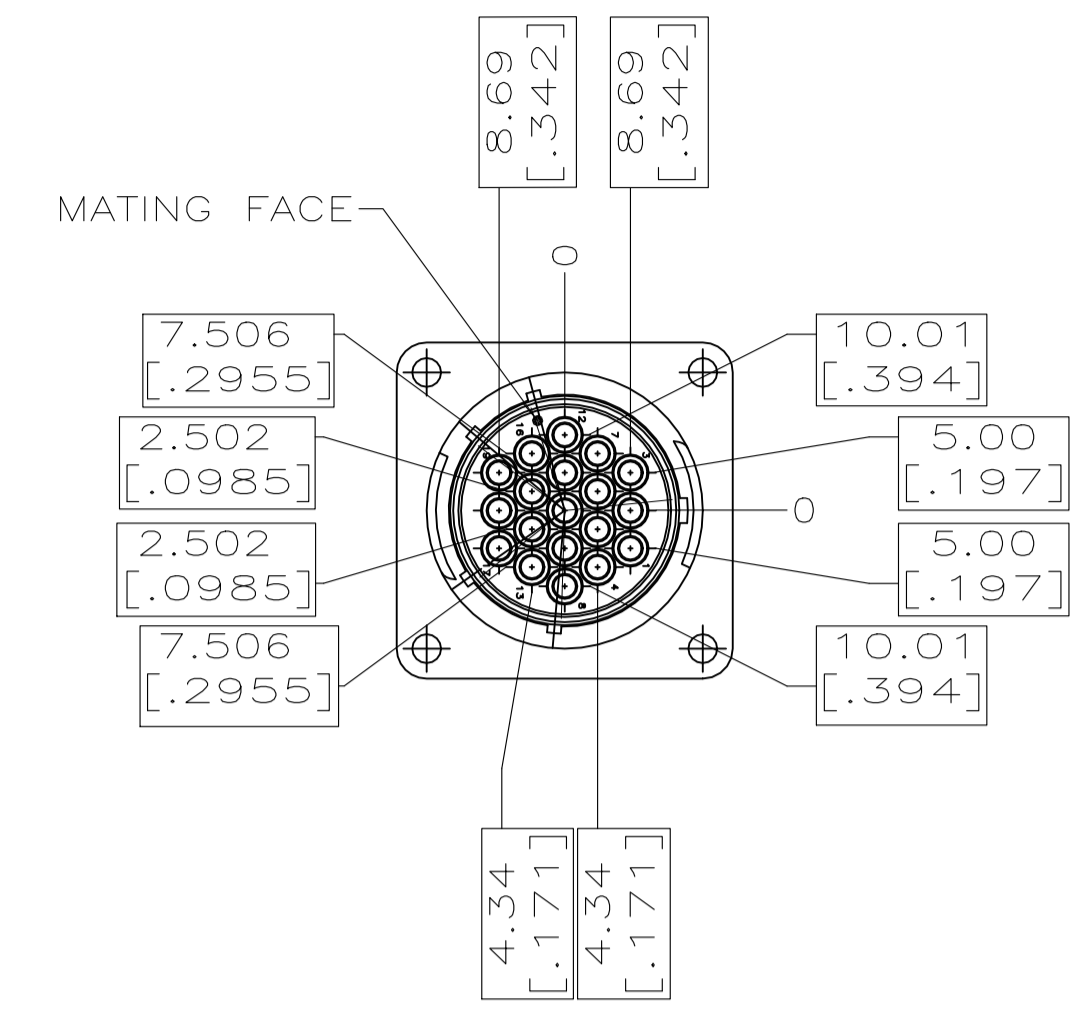
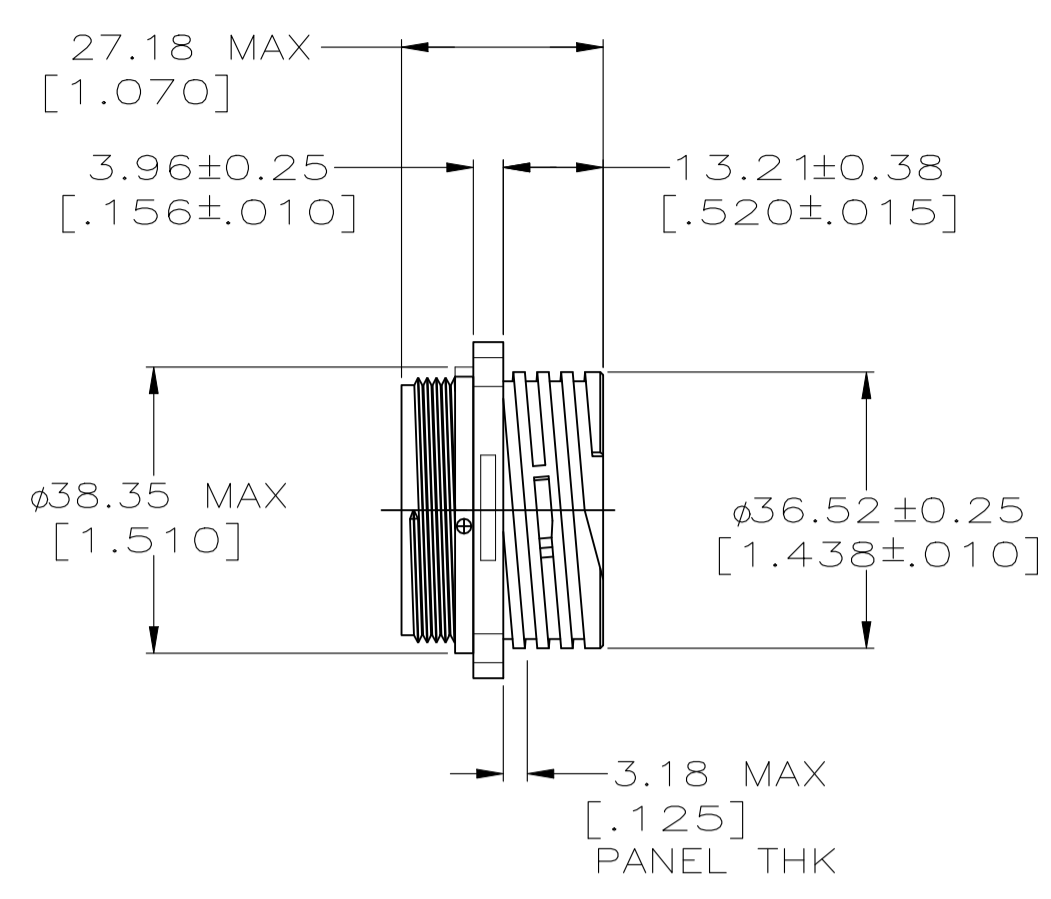
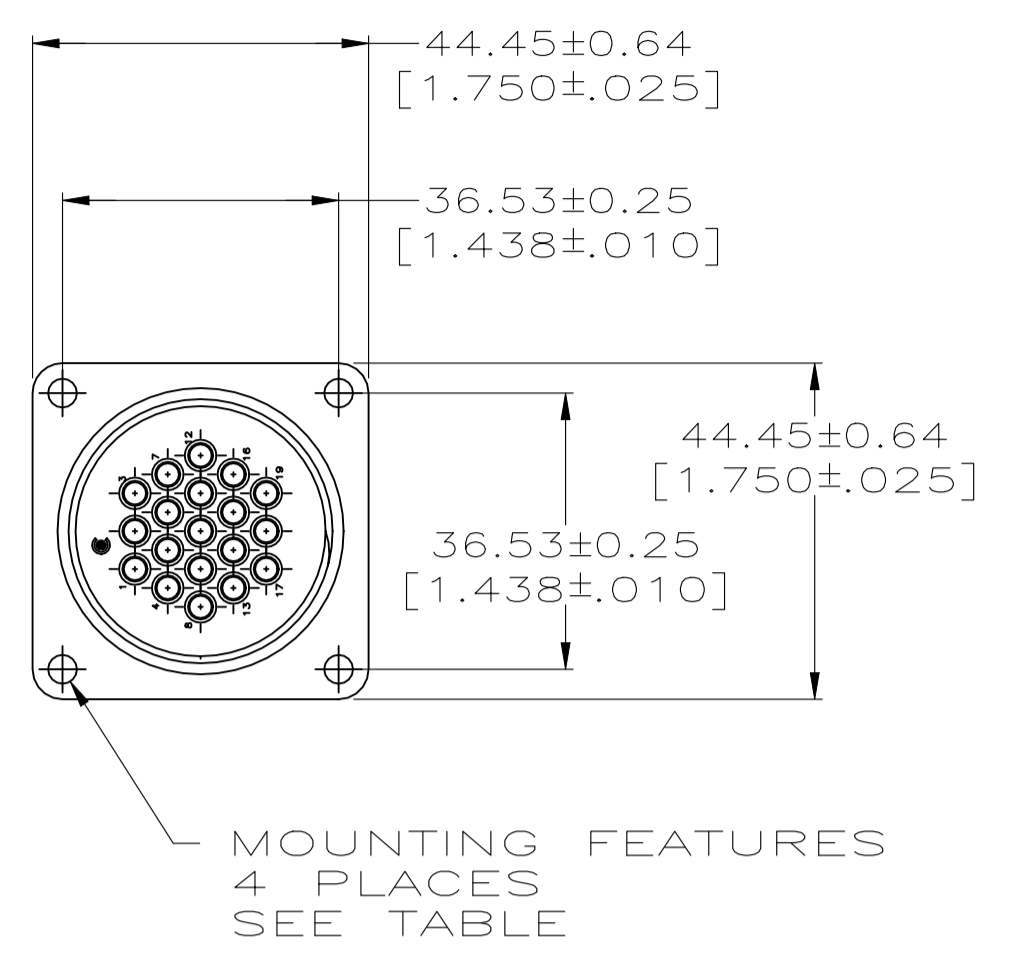
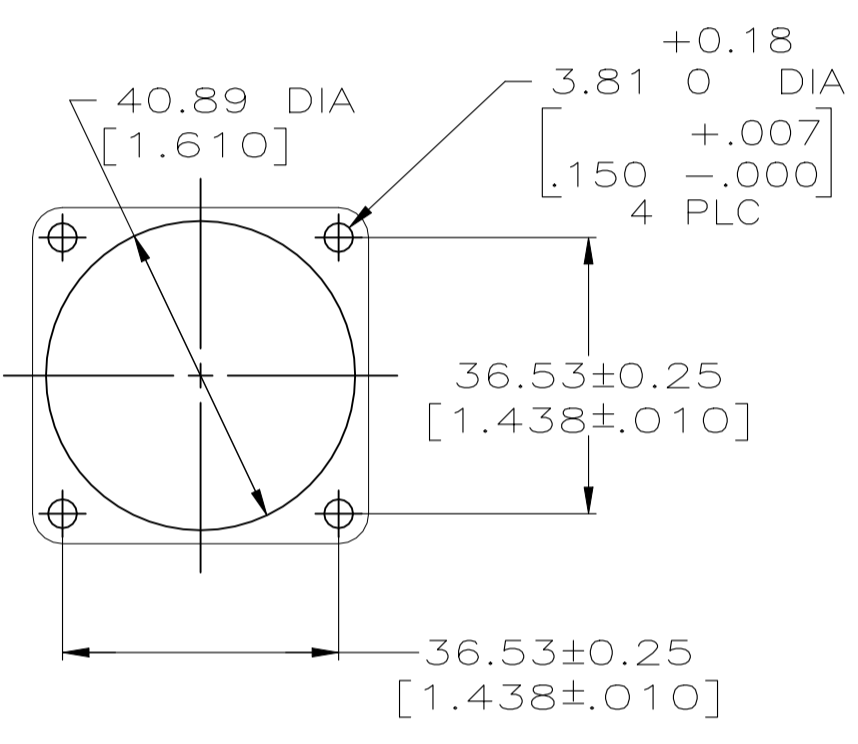


REVISIONS				
REV	DESCRIPTION	DATE	BY	APP'D
J1	REVISED PER ECN-23-199892	01MAR2023	RK	MZ

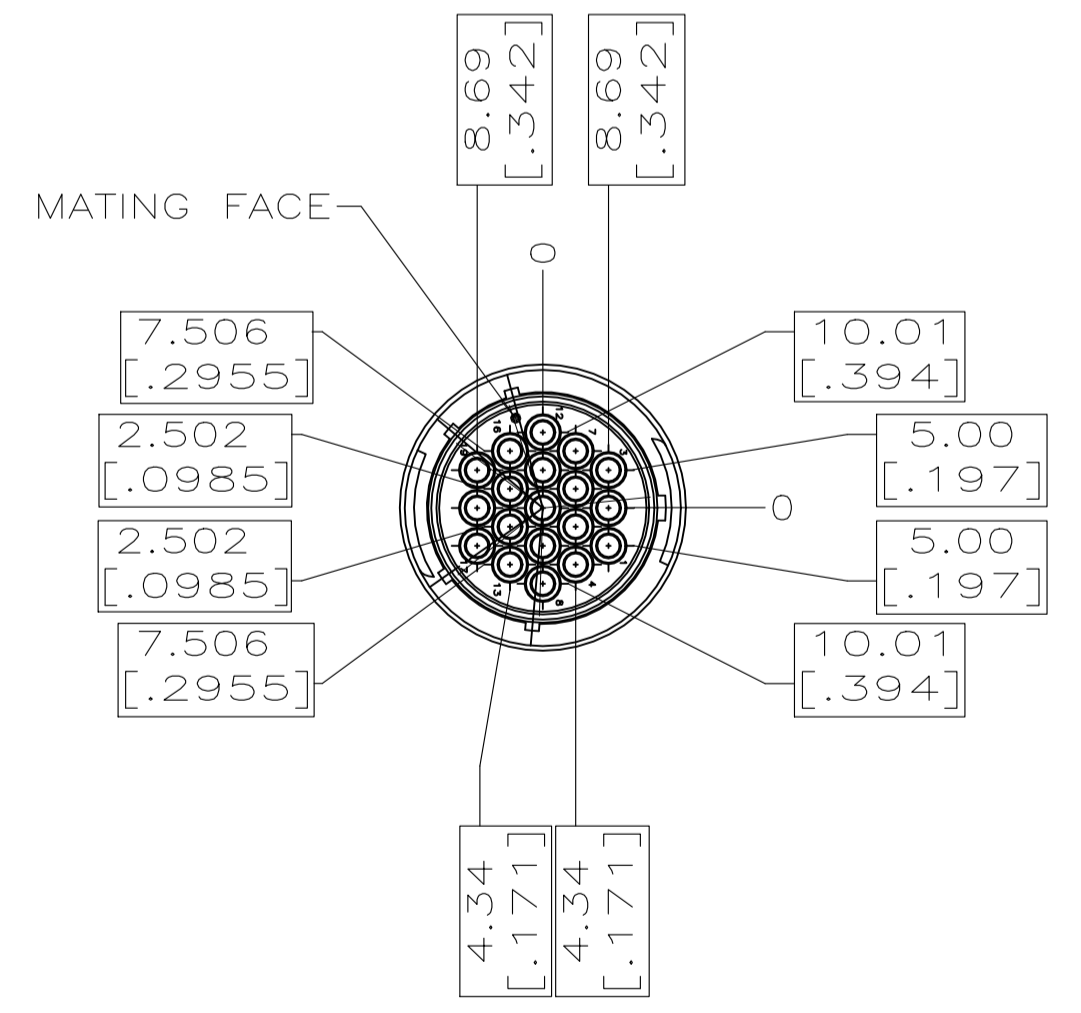
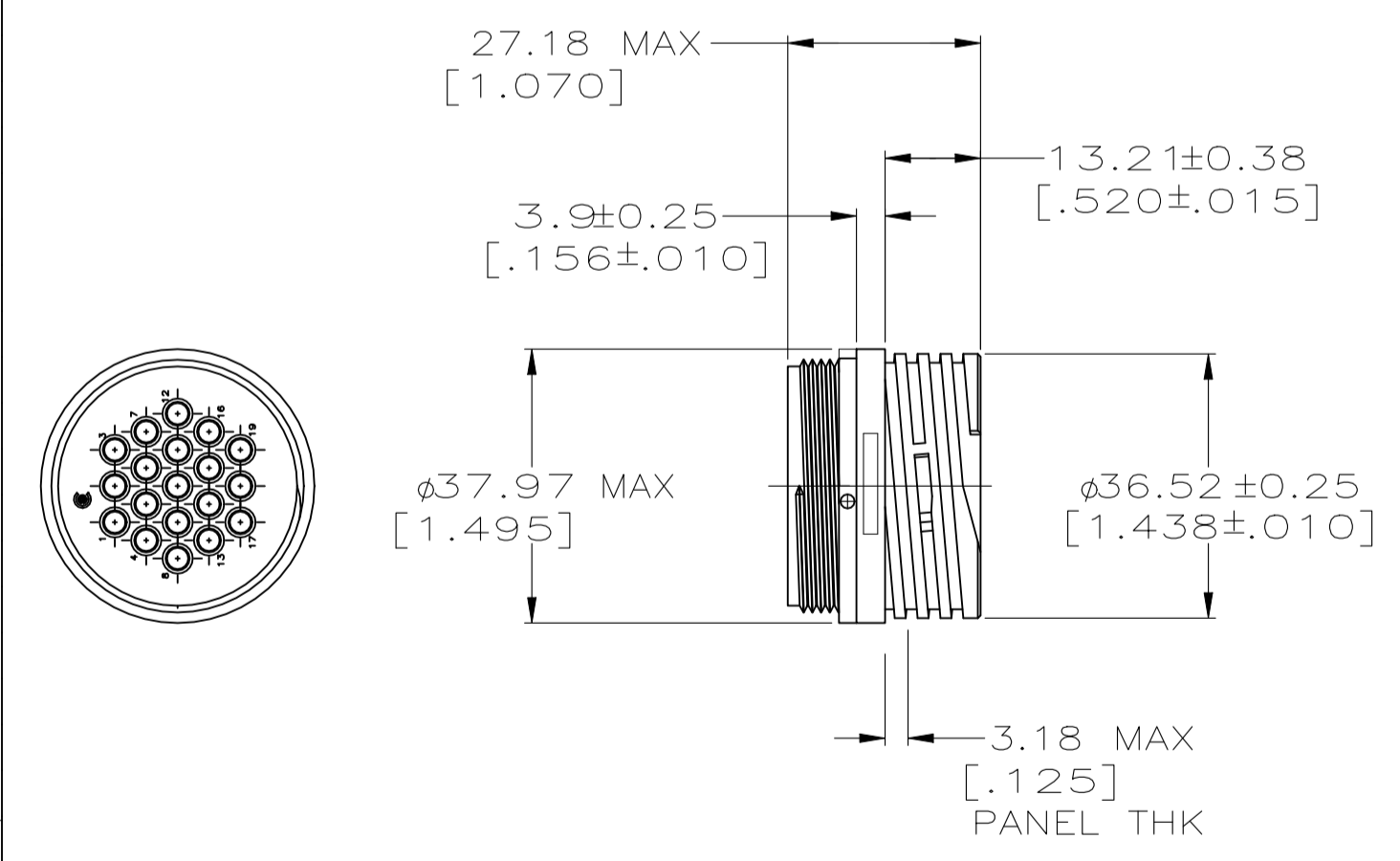


- NOTES:
- WILL ACCEPT (19) MULTIMATE SOCKET CONTACTS.
  - CONTACT CAVITIES IDENTIFIED BY CHARACTERS ON FRONT AND REAR FACES OF CONNECTOR.
  - 3.81[.150] MAX INSULATION DIAMETER.
  - 2.54[.100] MAX INSULATION DIAMETER.
  - MATERIALS:  
HOUSING USED ON 211773-1, 211773-2, 211773-7: PA66, BLACK  
HOUSING USED ON 211773-8 : POLYESTER, BLACK  
PERIPHERAL SEAL: NITRILE BUTADIENE RUBBER, BLACK  
THREADED INSERTS: BRASS

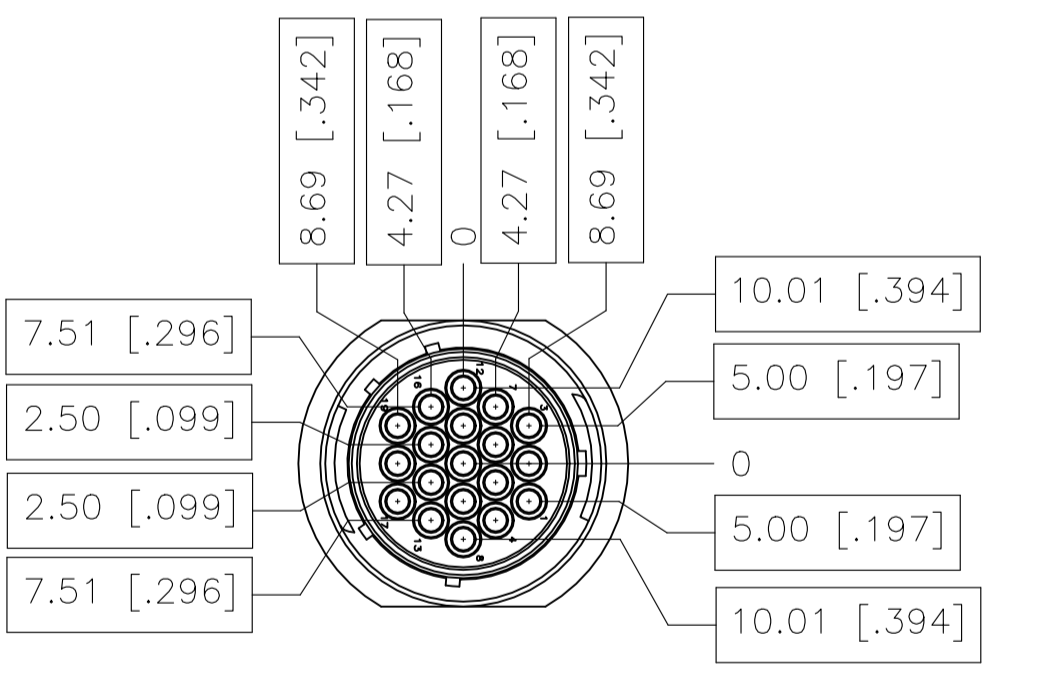
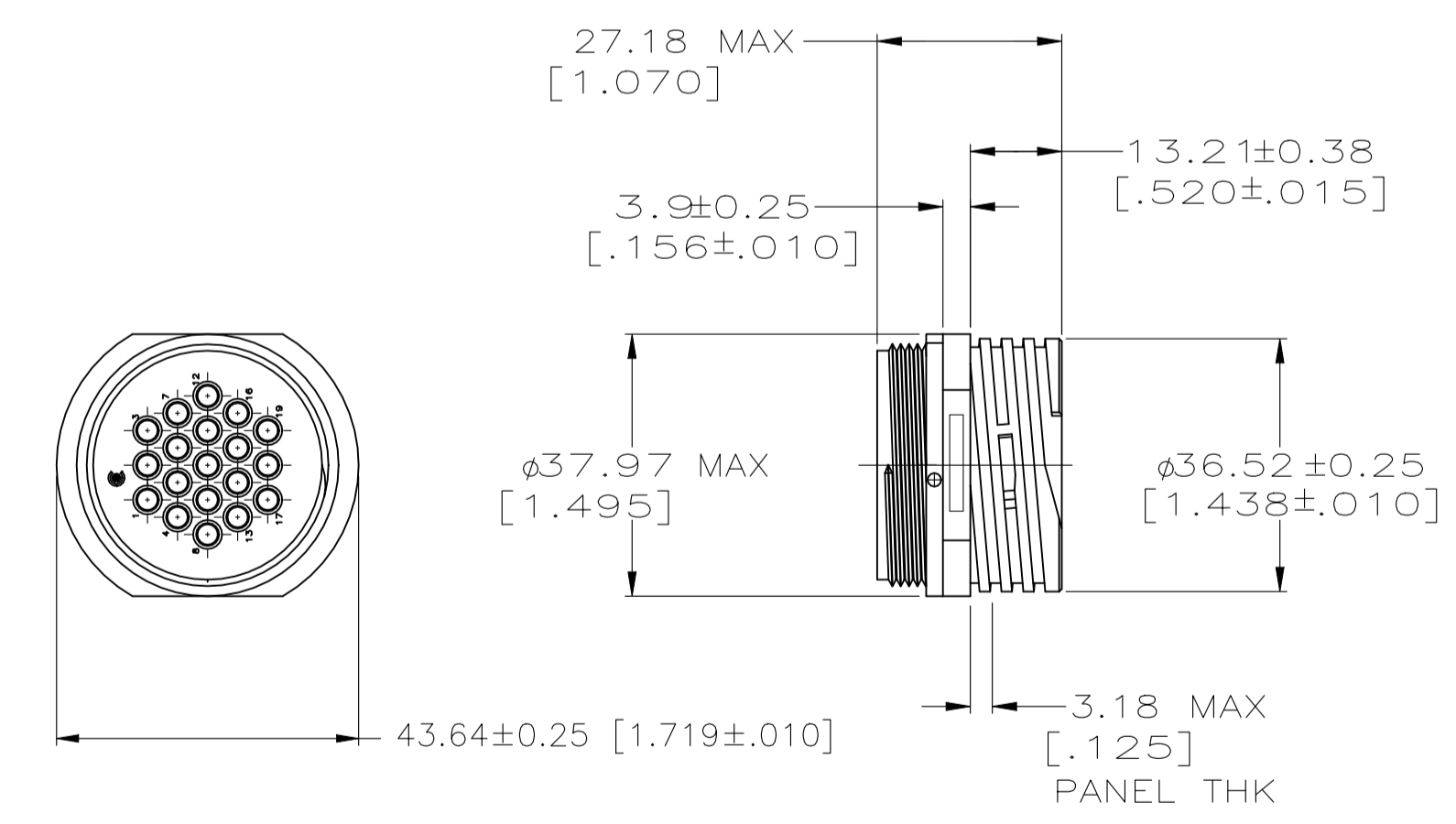


211773-1, 211773-2, 211773-6, 211773-7 & 211773-8

PANEL CUTOUT



211773-4



211773-5

	NO	211773-8
	NO	211773-7
OBSOLETE	YES	211773-6
OBSOLETE	NO	211773-5
OBSOLETE	NO	211773-4
4	NO	211773-2
4	NO	211773-1
MOUNTING FEATURES		PERIPHERAL SEAL
		PART NUMBER

THIS DRAWING IS A CONTROLLED DOCUMENT.

DIMENSIONS:	TOLERANCES UNLESS OTHERWISE SPECIFIED:	DIN S. URICH 02JAN01	TE Connectivity
mm	0 PLC ± -	CHK M. CHACO 02JAN01	RECEPTACLE HOUSING, REVERSE SEX, SERIES I, SHELL SIZE 23, CPC
	1 PLC ± -	APP'D M. CHACO 02JAN01	PRODUCT SPEC
	2 PLC ± 0.13[.005]		APPLICATION SPEC
	3 PLC ± -		SIZE
	4 PLC ± -		CAGE CODE
	ANGLES ± -		DRAWING NO
MATERIAL	FINISH	WEIGHT	RESTRICTED TO
		A1 00779	211773
		CUSTOMER DRAWING	SCALE 1:1 SHEET 1 of 1 REV J1