

Thermofit[®] Molded Parts
 Specification Control Drawing
 Limited Distribution

Part Number : 207K113
 Description : Boot, Strain Relief, Straight

NOTES

- All dimensions are in $\frac{\text{inches}}{\text{[millimeters]}}$
- Dimensions appearing in table are as follows:
 a - As Supplied
 b - After Unrestricted Recovery
- Coating is optional. As supplied dimensions appearing in table are for uncoated parts. When coating is added, entry diameters will be reduced by .06 max.

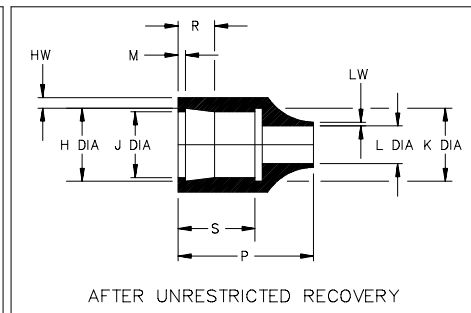
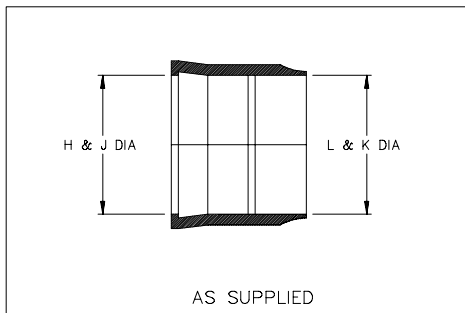


TABLE OF DIMENSIONS

PART NUMBER	H		J		K		L		M	P	R	S	HW	LW
	Min	Max	Min	Max	Min	Max	Min	Max	Max	±10%	±5%	±5%	±20%	Min
	a	b	a	b	a	b	a	b	b	b	b	b	b	b
207K113	1.38 [35,0]	.80 [20,4]	1.38 [35,0]	.72 [18,4]	1.32 [35,0]	.75 [19,0]	1.38 [35,0]	.41 [10,5]	.10 [2,5]	1.46 [37,0]	.39 [10,0]	.83 [21,0]	.11 [2,9]	.03 [.76]

Raychem

RAYCHEM CORPORATION
 300 CONSTITUTION DRIVE
 MENLO PARK, CALIFORNIA 94025

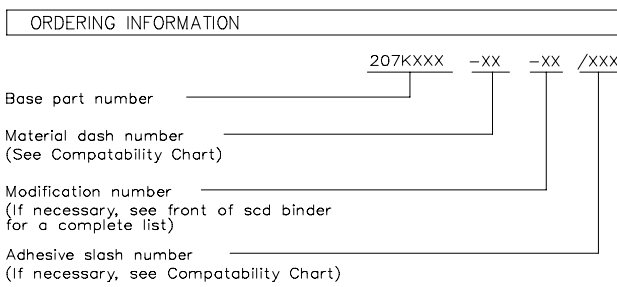
Revision : A
 Date : 12/15/94

Part Number : 207K113
 Description : Boot, Strain Relief, Straight

Thermofit[®] Molded Parts
 Specification Control Drawing
 Limited Distribution

Part Number : 207K113
 Description : Boot, Strain Relief, Straight

COMPATABILITY CHART					
MATERIAL DASH NO.	MATERIAL DESCRIPTION	RT SPEC	COATING SLASH NO.	COATING S NO.	COATING DESCRIPTION
-3	Polyolefin, Semi-rigid	RT-301	N/A		
-4	Polyolefin, Flexible	RT-1304	N/A		
-25	Elastomer, Fluid Resistant	RT-1325	N/A		



THIS DRAWING IS SUBJECT TO CHANGE WITHOUT NOTICE; CONSULT YOUR
 NEAREST FIELD REPRESENTATIVE FOR CURRENT REVISION

If this document is printed it becomes uncontrolled.
 Check for the latest revision.

Raychem

RAYCHEM CORPORATION
 300 CONSTITUTION DRIVE
 MENLO PARK, CALIFORNIA 94025

Revision : A
 Date : 12/15/94

Part Number : 207K113
 Description : Boot, Strain Relief, Straight

CAD FILE MP94360