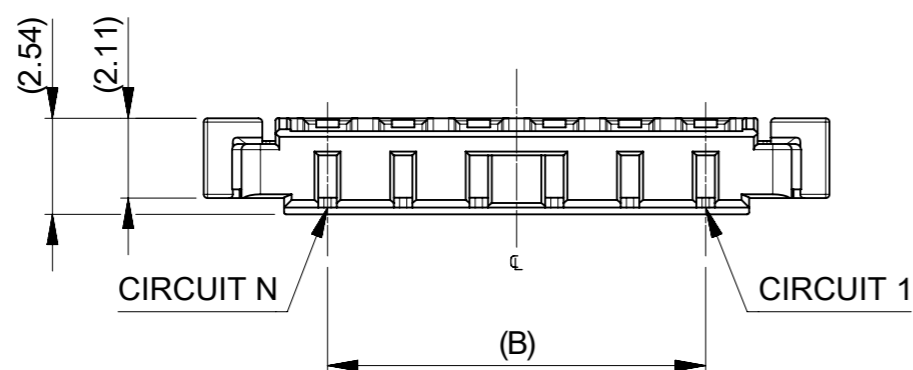
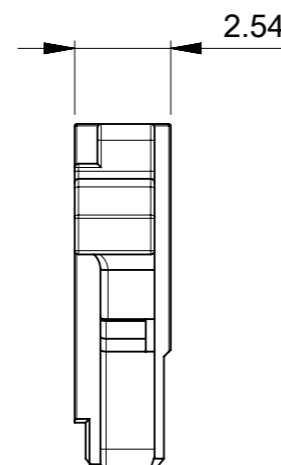
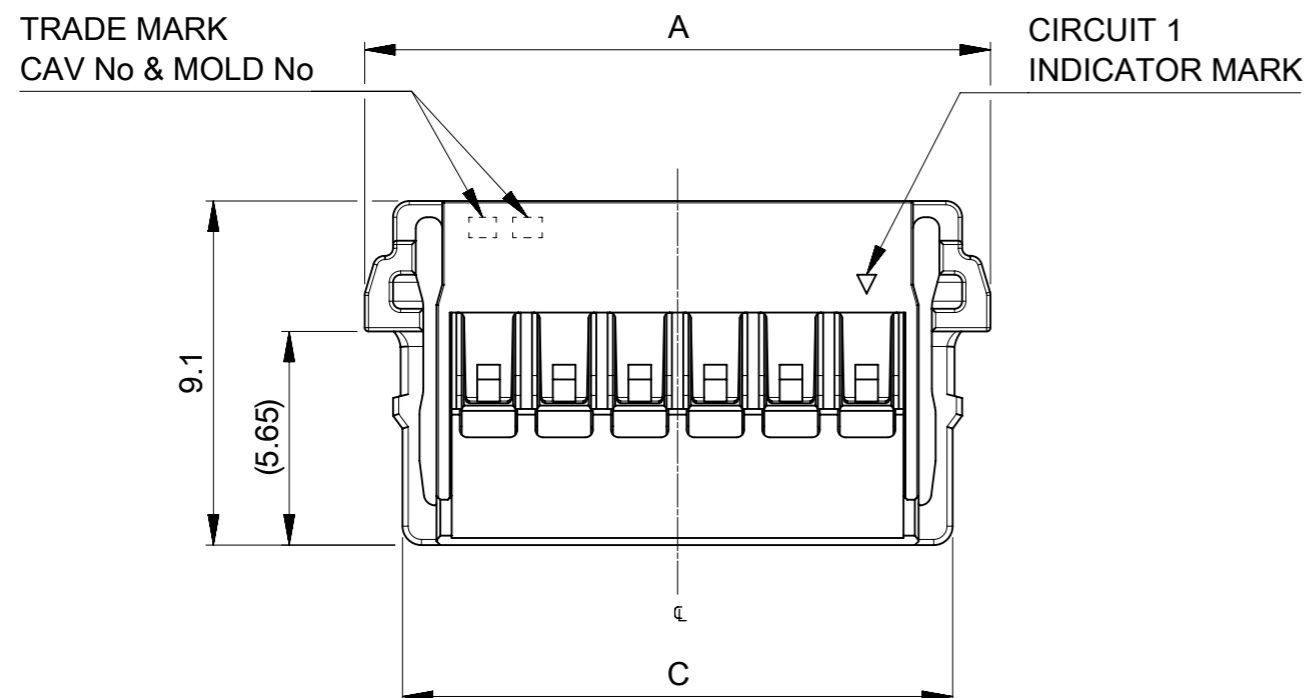


NOTES

- ① 偶数極に適用
APPLY EVEN CIRCUIT PRODUCTS.
- ② 適合製品及び各種仕様書はSHEET 2を参照のこと
REFER TO SHEET 2 ABOUT APPLICABLE PRODUCTS AND VARIOUS SPECIFICATIONS.



14.55	10	16.55	2053410206	6
12.55	8	14.55	2053410205	5
10.55	6	12.55	2053410204	4
8.55	4	10.55	2053410203	3
6.55	2	8.55	2053410202	2
C	B	A	ORDER NO.	CIRCUIT SIZE

梱包状態：ポリ袋 PACKAGING：POLYBAG

THIS DRAWING CONTAINS INFORMATION THAT IS PROPRIETARY TO MOLEX ELECTRONIC TECHNOLOGIES, LLC AND SHOULD NOT BE USED WITHOUT WRITTEN PERMISSION		CURRENT REV DESC:		molex	
DIMENSION UNITS	SCALE				
mm	NTS			PICO-LOCK 2.0 REC HSG SINGLE-ROW SMT R/A TYPE	
GENERAL TOLERANCES (UNLESS SPECIFIED)				PRODUCT CUSTOMER DRAWING	
ANGULAR TOL	± 3.0 °			DOCUMENT NUMBER	
4 PLACES	± 0.2	EC NO: 706560		2053410000-SD	
3 PLACES	± 0.2	DRWN: QHE31		DOC TYPE	
2 PLACES	± 0.2	CHK'D: KOMURAKAMI		PSD	
1 PLACE	± 0.2	APPR: SAKIYAMA		DOC PART	
0 PLACES	± 0.2	INITIAL REVISION:		000	
DRAFT WHERE APPLICABLE MUST REMAIN WITHIN DIMENSIONS		DRWN: QHE31		C	
THIRD ANGLE PROJECTION		APPR: KOMURAKAMI		REVISION	
DRAWING		SERIES		SHEET NUMBER	
A3-SIZE		205341		1 OF 2	
MATERIAL NUMBER		CUSTOMER			
SEE CHART		GENERAL			

部品 PART	材質 MATERIAL
ハウジング HOUSING	ポリエステル(PBT), UL94V-0, 色 : 黒 POLYESTER(PBT), UL94V-0, COLOR : BLACK

△ 適合製品及び各種仕様書
 APPLICABLE PRODUCTS AND VARIOUS SPECIFICATIONS

梱包仕様書 PACKAGING SPECIFICATION	PART NUMBER 205341****	DOCUMENT NUMBER 2053419200-SPK PS 200
----------------------------------	---------------------------	--

適合端子 APPLICABLE TERMINAL	PLATING TYPE	PART NUMBER	WIRE SIZE(AWG)
	GOLD	2053425028	#20 - #22
		2053425128	#24 - #26

適合嵌合相手 MATE WITH	SMT		
	GOLD PLATING		
	RIGHT ANGLE		
	製品番号 PRODUCT NUMBER	205338****	
製品仕様書 PRODUCT SPECIFICATION	2053410000-PS PS 000		
アプリケーション仕様書 APPLICATION SPECIFICATION	2053410000-AS PS 000		

THIS DRAWING CONTAINS INFORMATION THAT IS PROPRIETARY TO MOLEX ELECTRONIC TECHNOLOGIES, LLC AND SHOULD NOT BE USED WITHOUT WRITTEN PERMISSION										
DIMENSION UNITS	SCALE	CURRENT REV DESC:				molex				
mm	NTS									
GENERAL TOLERANCES (UNLESS SPECIFIED)		EC NO: 706560 DRWN: QHE31 2022/05/16 CHK'D: KOMURAKAMI 2022/06/20 APPR: SAKIYAMA 2022/06/20 INITIAL REVISION: DRWN: QHE31 2019/10/17 APPR: KOMURAKAMI 2020/02/19				PICO-LOCK 2.0 REC HSG SINGLE-ROW SMT R/A TYPE				
ANGULAR TOL ± 3.0 °						PRODUCT CUSTOMER DRAWING				
4 PLACES ± 0.2						DOCUMENT NUMBER		DOC TYPE	DOC PART	REVISION
3 PLACES ± 0.2						2053410000-SD		PSD	000	C
2 PLACES ± 0.2						MATERIAL NUMBER		CUSTOMER		SHEET NUMBER
1 PLACE ± 0.2						205341		GENERAL		2 OF 2
0 PLACES ± 0.2		THIRD ANGLE PROJECTION		DRAWING	SERIES	MATERIAL NUMBER				
DRAFT WHERE APPLICABLE MUST REMAIN WITHIN DIMENSIONS			A3-SIZE	205341						

DOCUMENT STATUS	P1	RELEASE DATE	2022/06/20	07:41:08
-----------------	----	--------------	------------	----------