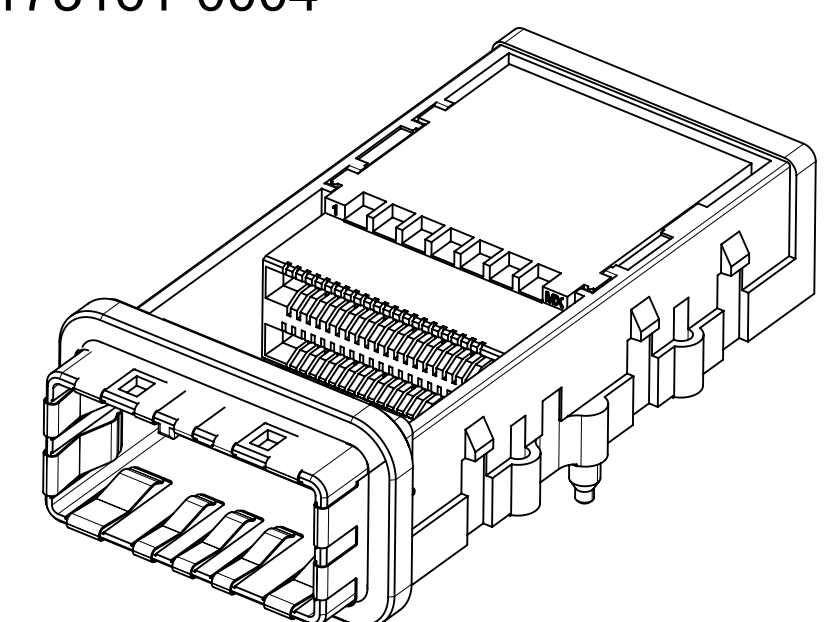
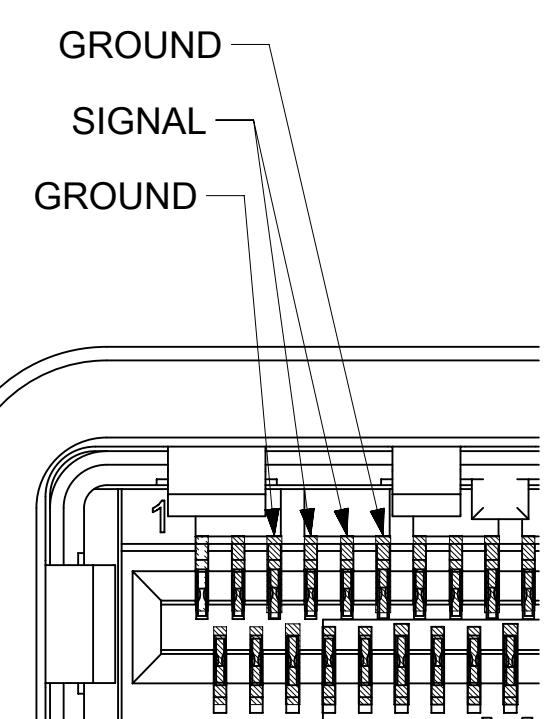


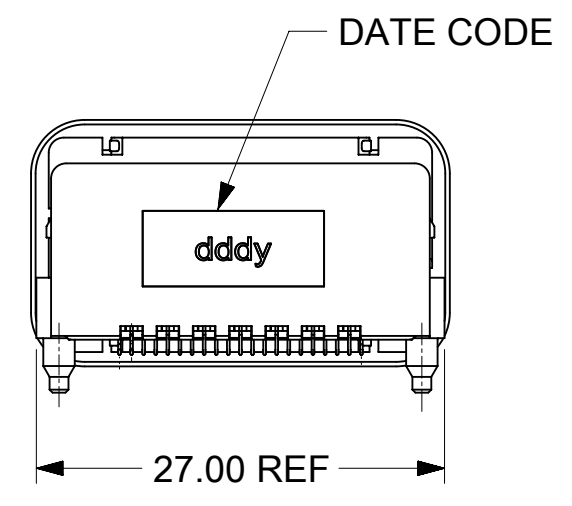
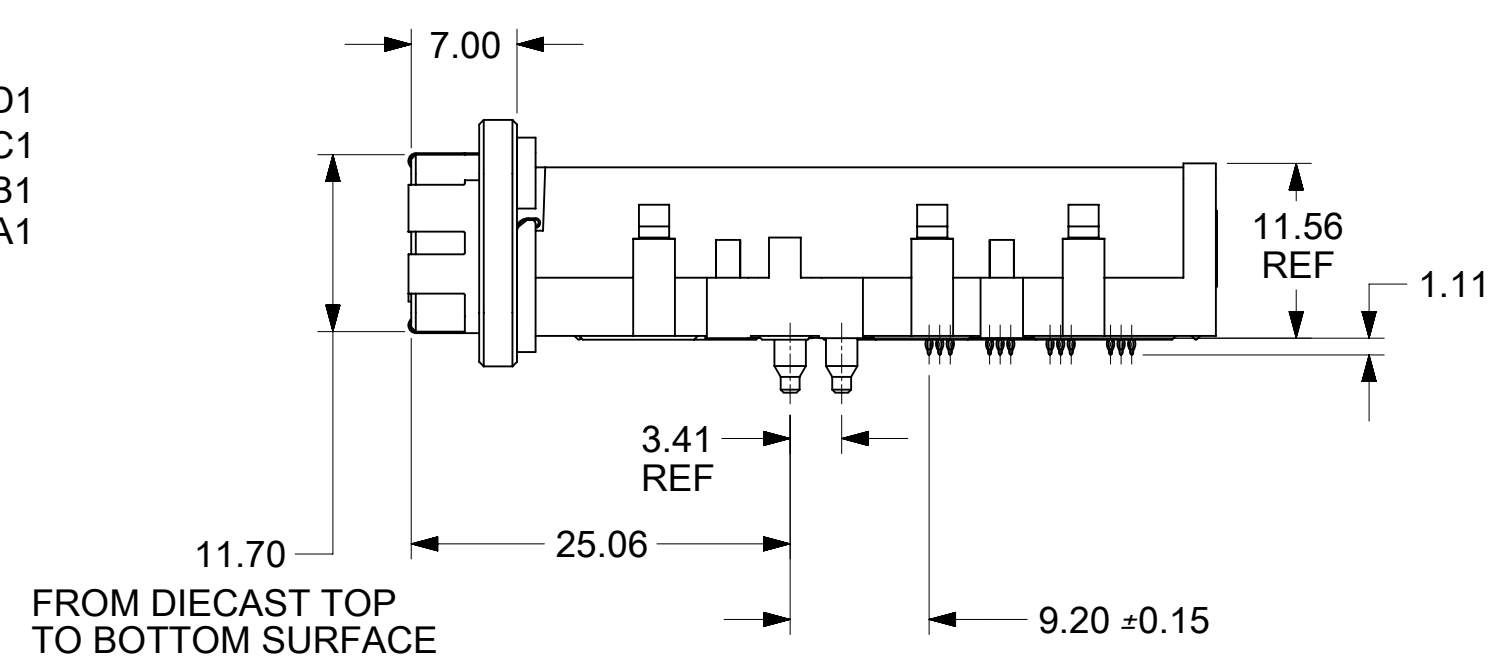
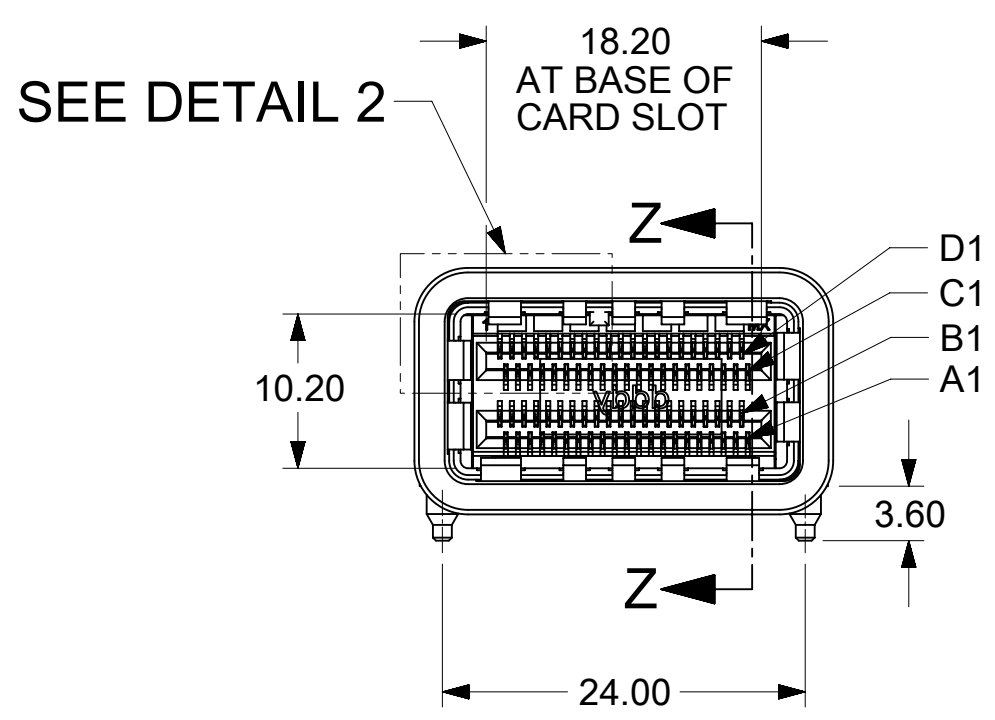
173161-0004



173161-0003



DETAIL 2  
SCALE 6:1

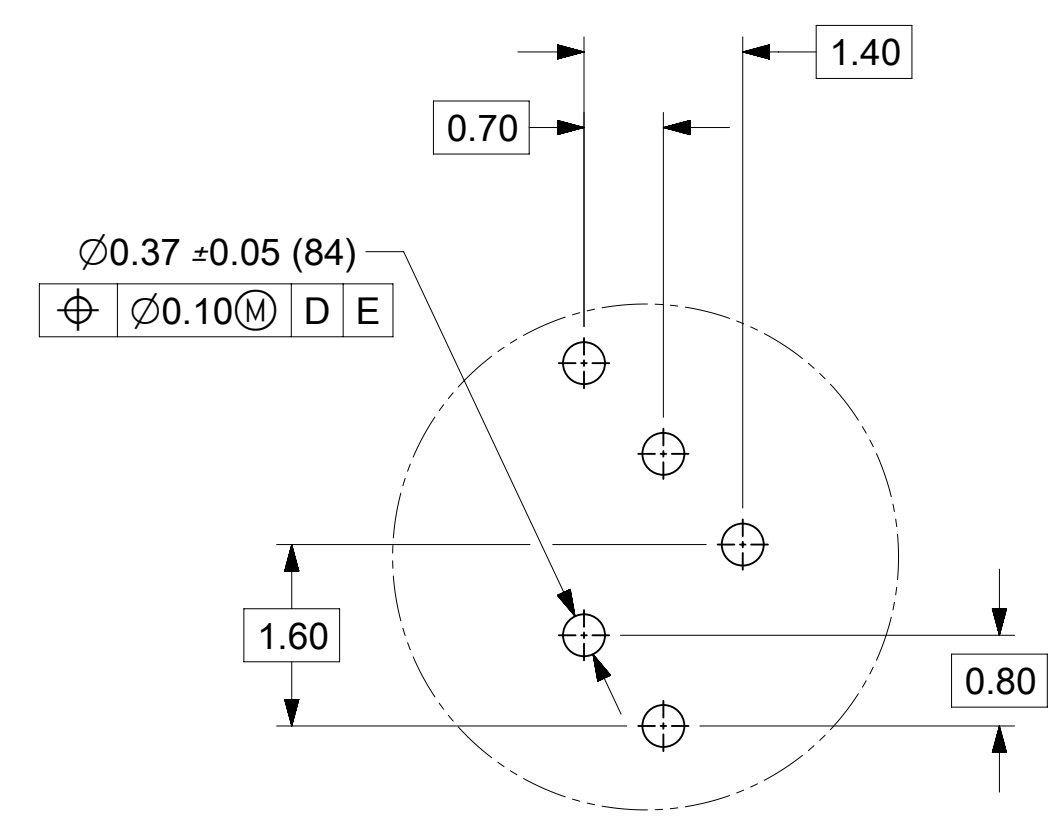
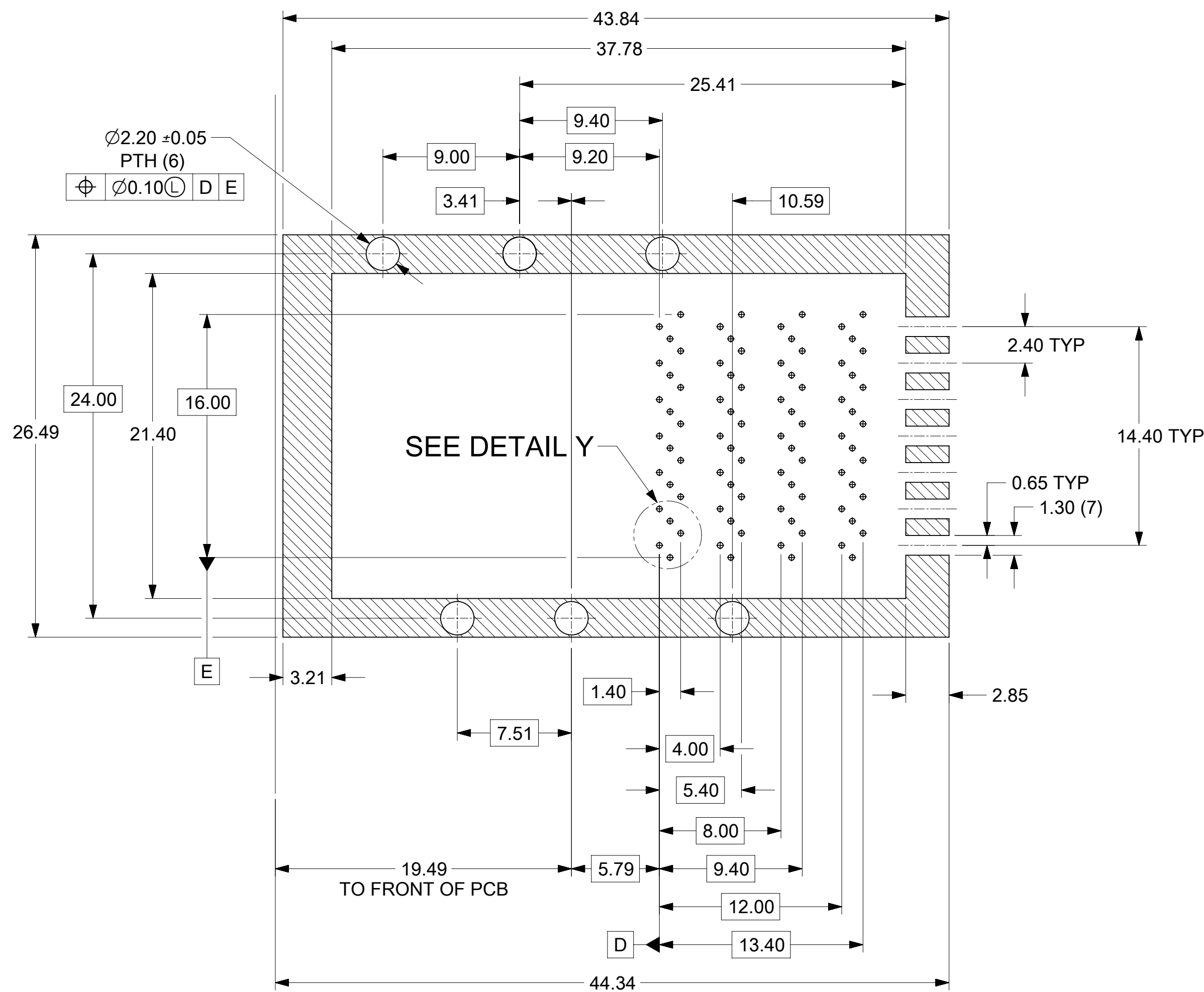


**NOTES:**

- MATERIALS:**  
CONNECTOR HOUSING: HIGH TEMPERATURE THERMOPLASTIC GLASS-FILLED, UL 94V-0  
EMI HOUSING: NICKEL PLATED DIE CAST ALLOY  
COVER: STAINLESS STEEL ALLOY  
EMI GASKET: CONDUCTIVE FABRIC OVER FOAM UL 94 V-0  
TERMINALS: COPPER ALLOY
- PLATING:**  
CONTACT AREA: 0.76µm MIN. GOLD OVER 2.54µm MIN. NICKEL  
TIN TAIL AREA: 0.76µm - 1.52µm TIN OVER 1.27µm MIN NICKEL
- THIS CONNECTOR IS DESIGNED TO MATE WITH MOLEX CABLE SERIES INDICATED IN THE MOLEX PRODUCT SPEC. PS-173124-0001.
- REFER TO ROUTING GUIDE AS-173124-0002 FOR PCB TRACE INFORMATION.
- PACKAGING SPECIFICATION: TRAY PACK PER PK-170465-0001.
- REFER TO AS-170465-0001 FOR THE APPLICATION SPECIFICATION.
- MOUNTING HARDWARE REQUIRED: M2x0.4 CAP SCREWS (4)  
MOUNTING SCREW LENGTH: BOARD THICKNESS + 4mm MAX

MATERIAL #	DESCRIPTION
1731610003	NO COVER
1731610004	WITH COVER

SYMBOLS DIMENSION UNITS: mm SCALE: 2:1 CURRENT REV DESC: DRAWING MIGRATION		EC NO: 620721 DRWN: VNANDAM 2018/08/09 CHK'D: RNELSON 2019/07/18 APPR: RNELSON 2019/07/18			
GENERAL TOLERANCES (UNLESS SPECIFIED) 4 PLACES ± 3 PLACES ± 2 PLACES ± 0.25 1 PLACE ± 0 PLACES ±		INITIAL REVISION: DRWN: SVANG01 2016/04/07 APPR: SVANG01 2016/04/08			
DRAFT WHERE APPLICABLE MUST REMAIN WITHIN DIMENSIONS		THIRD ANGLE PROJECTION		PRODUCT CUSTOMER DRAWING DOCUMENT NUMBER: SD-173161-0003 DOC TYPE: PSD DOC PART: 001 REVISION: A	
MATERIAL NUMBER: SEE CHART		CUSTOMER: GENERAL MARKET		SHEET NUMBER: 1 OF 4	

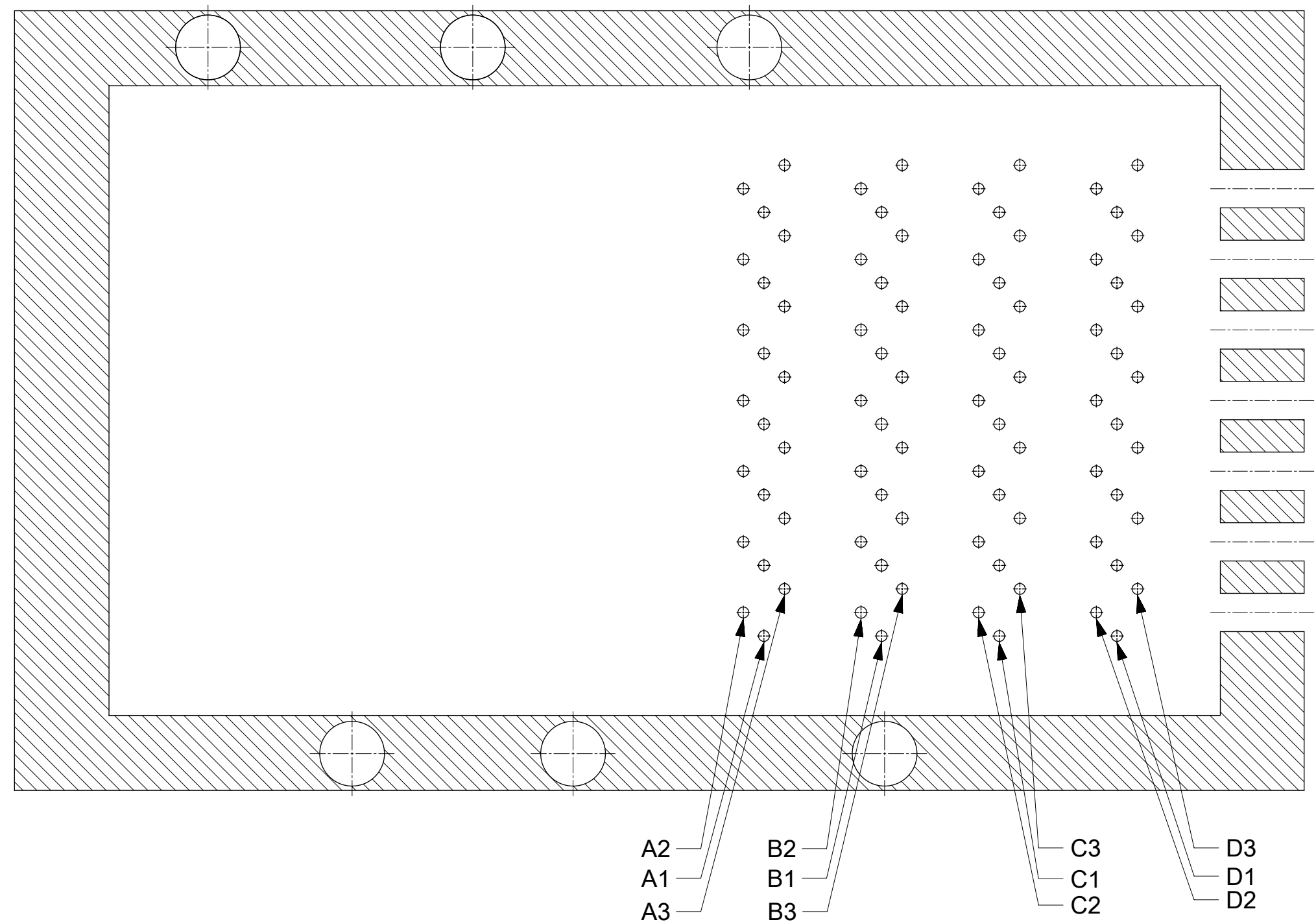
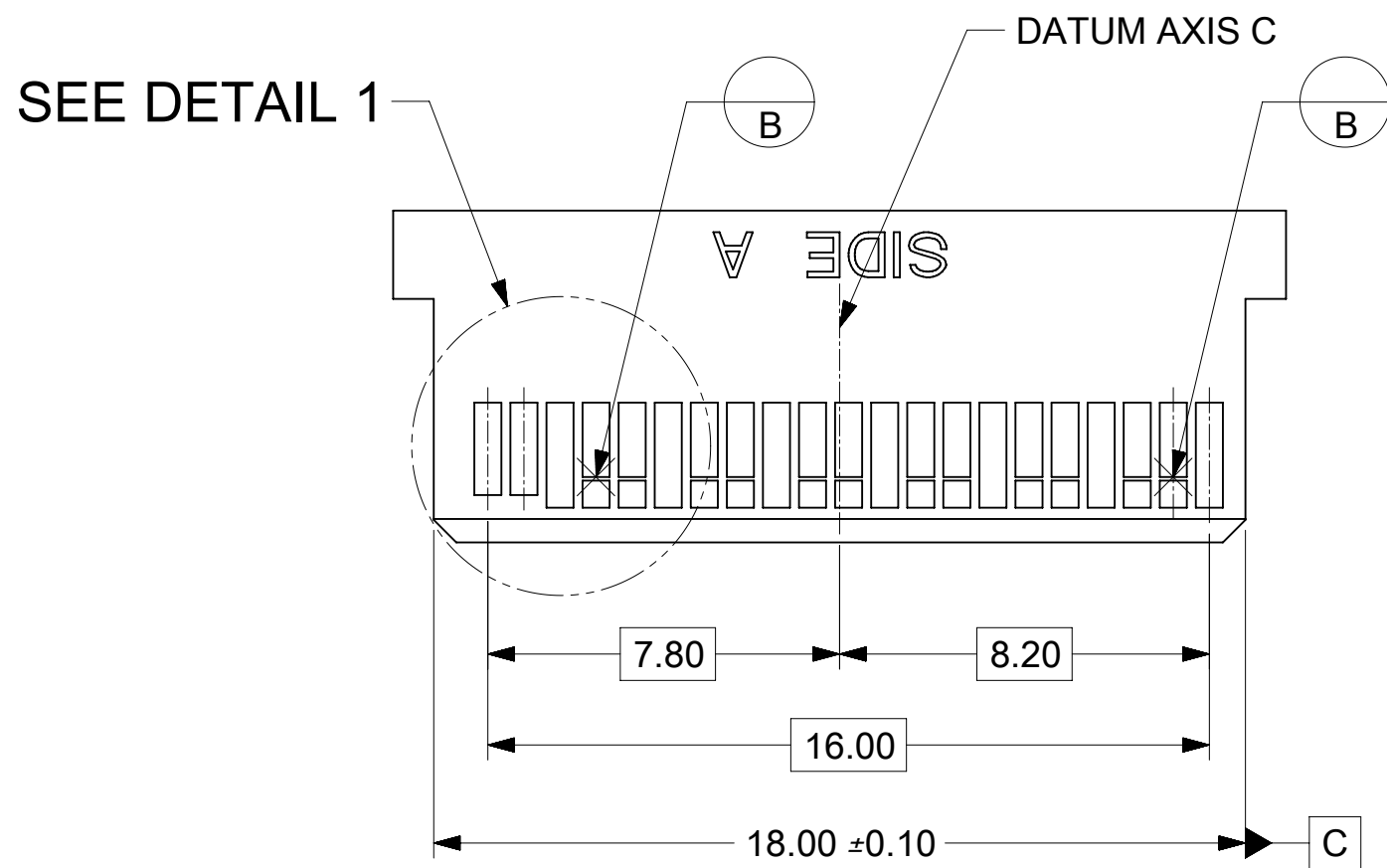
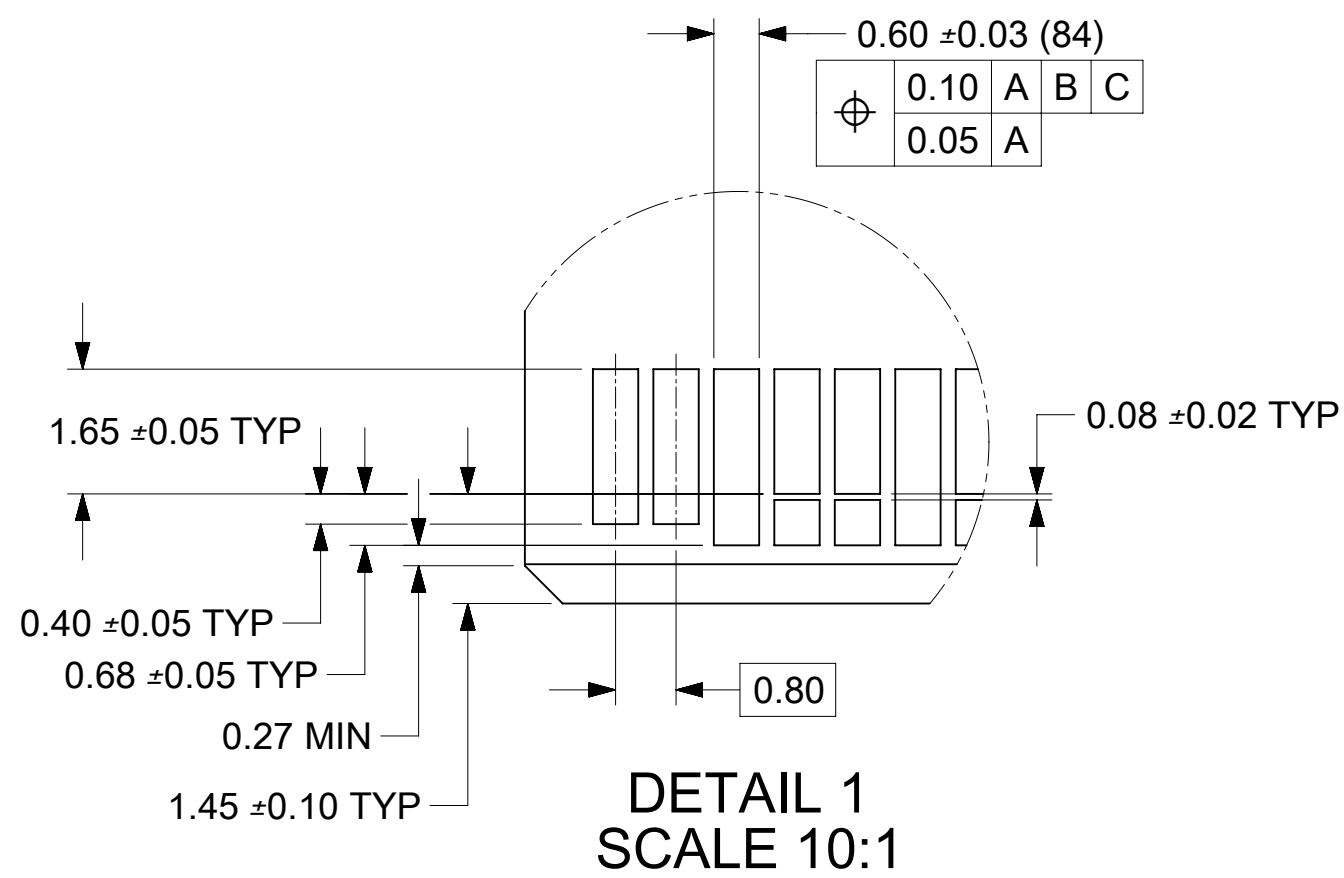
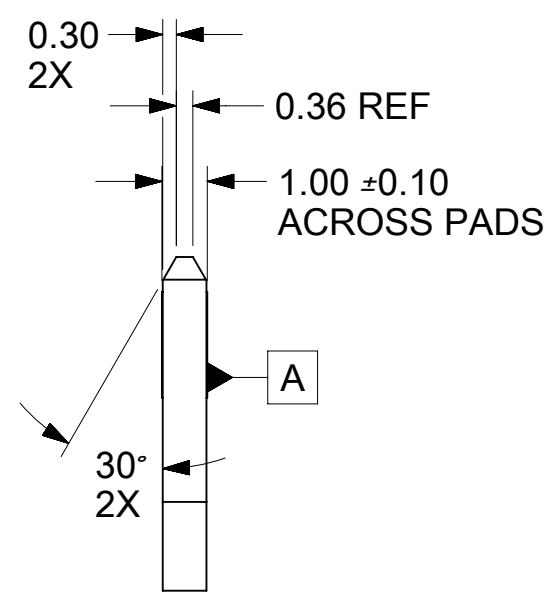
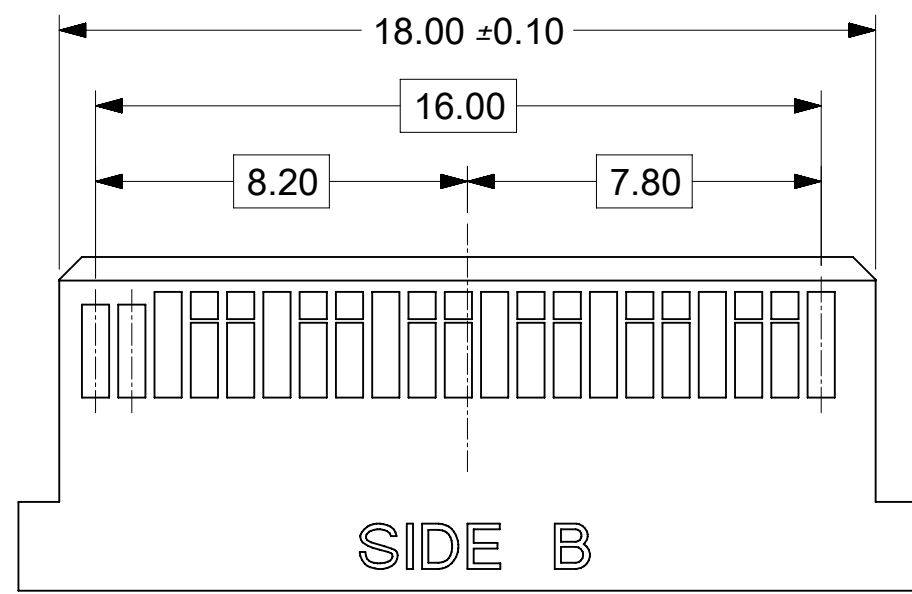


DETAIL Y  
SCALE 15:1

- NOTES:**
- CROSS-HATCHED AREA TO BE CONDUCTIVE ON THE PCB.
  - CROSS-HATCHED AREA MUST BE INCORPORATED IN THE FLAT ROCK PRESS-FIT TOOLING.
  - REFER TO THE PLATING DETAIL OF THE COMPLIANT PIN HOLES IN THE APPLICATION SPEC AS-173124-0002 FOR THE DRILL SIZE AND ANNULAR RING FOR THE 0.37 $\phi$  FINISHED HOLE.
  - MINIMUM RECOMMENDED SPACING: 26.50

RECOMMENDED PCB LAYOUT  
COMPONENT SIDE SHOWN  
PCB THICKNESS: 1.57mm MIN.

THIS DRAWING CONTAINS INFORMATION THAT IS PROPRIETARY TO MOLEX ELECTRONIC TECHNOLOGIES, LLC AND SHOULD NOT BE USED WITHOUT WRITTEN PERMISSION										
SYMBOLS		DIMENSION UNITS		SCALE		CURRENT REV DESC: DRAWING MIGRATION				
▽ = 0		mm		4:1		EC NO: 620721 DRWN: VNANDAM 2018/08/09 CHK'D: RNELSON 2019/07/18 APPR: RNELSON 2019/07/18				
▽ = 0		GENERAL TOLERANCES (UNLESS SPECIFIED)								
▽ = 0						INITIAL REVISION: DRWN: SVANG01 2016/04/07 APPR: SVANG01 2016/04/08				
▽ = 0										
▽ = 0		4 PLACES ±		±		PRODUCT CUSTOMER DRAWING				
▽ = 0		3 PLACES ±		±						
▽ = 0		2 PLACES ±		0.25 ±		DOCUMENT NUMBER SD-173161-0003				
▽ = 0		1 PLACE ±		±						
▽ = 0		0 PLACES ±		±		DOC TYPE PSD		DOC PART 001		REVISION A
▽ = 0		ANGULAR TOL ±		0.5 °		MATERIAL NUMBER SEE CHART		CUSTOMER GENERAL MARKET		SHEET NUMBER 2 OF 4
▽ = 0		DRAFT WHERE APPLICABLE MUST REMAIN WITHIN DIMENSIONS		THIRD ANGLE PROJECTION		DRAWING C-SIZE		SERIES 173161		



- NOTES:**
- 0.03 MINIMUM KEEP OUT FOR SOLDER MASK AROUND ALL PADS
  - DATUM B TARGETS ARE DEFINED BY THE RESPECTIVE PAD CENTER LINES AND THE LEADING EDGE OF THE TARGET PADS

SYMBOLS	THIS DRAWING CONTAINS INFORMATION THAT IS PROPRIETARY TO MOLEX ELECTRONIC TECHNOLOGIES, LLC AND SHOULD NOT BE USED WITHOUT WRITTEN PERMISSION			
	DIMENSION UNITS		SCALE	
▽ = 0	mm	6:1		CURRENT REV DESC: DRAWING MIGRATION
▽ = 0	GENERAL TOLERANCES (UNLESS SPECIFIED)			
▽ = 0		MM	INCH	EC NO: 620721 DRWN: VNANDAM 2018/08/09 CHK'D: RNELSON 2019/07/18 APPR: RNELSON 2019/07/18
▽ = 0	4 PLACES	±	±	
▽ = 0	3 PLACES	±	±	INITIAL REVISION: DRWN: SVANG01 2016/04/07 APPR: SVANG01 2016/04/08
▽ = 0	2 PLACES	± 0.25	±	
▽ = 0	1 PLACE	±	±	SERIES 173161
▽ = 0	0 PLACES	±	±	
▽ = 0	ANGULAR TOL ± 0.5°		THIRD ANGLE PROJECTION	DRAWING C-SIZE
▽ = 0	DRAFT WHERE APPLICABLE MUST REMAIN WITHIN DIMENSIONS			
DOCUMENT STATUS		P1	RELEASE DATE	2019/07/18 15:33:06
DOCUMENT NUMBER		CUSTOMER		SHEET NUMBER
SD-173161-0003		GENERAL MARKET		3 OF 4

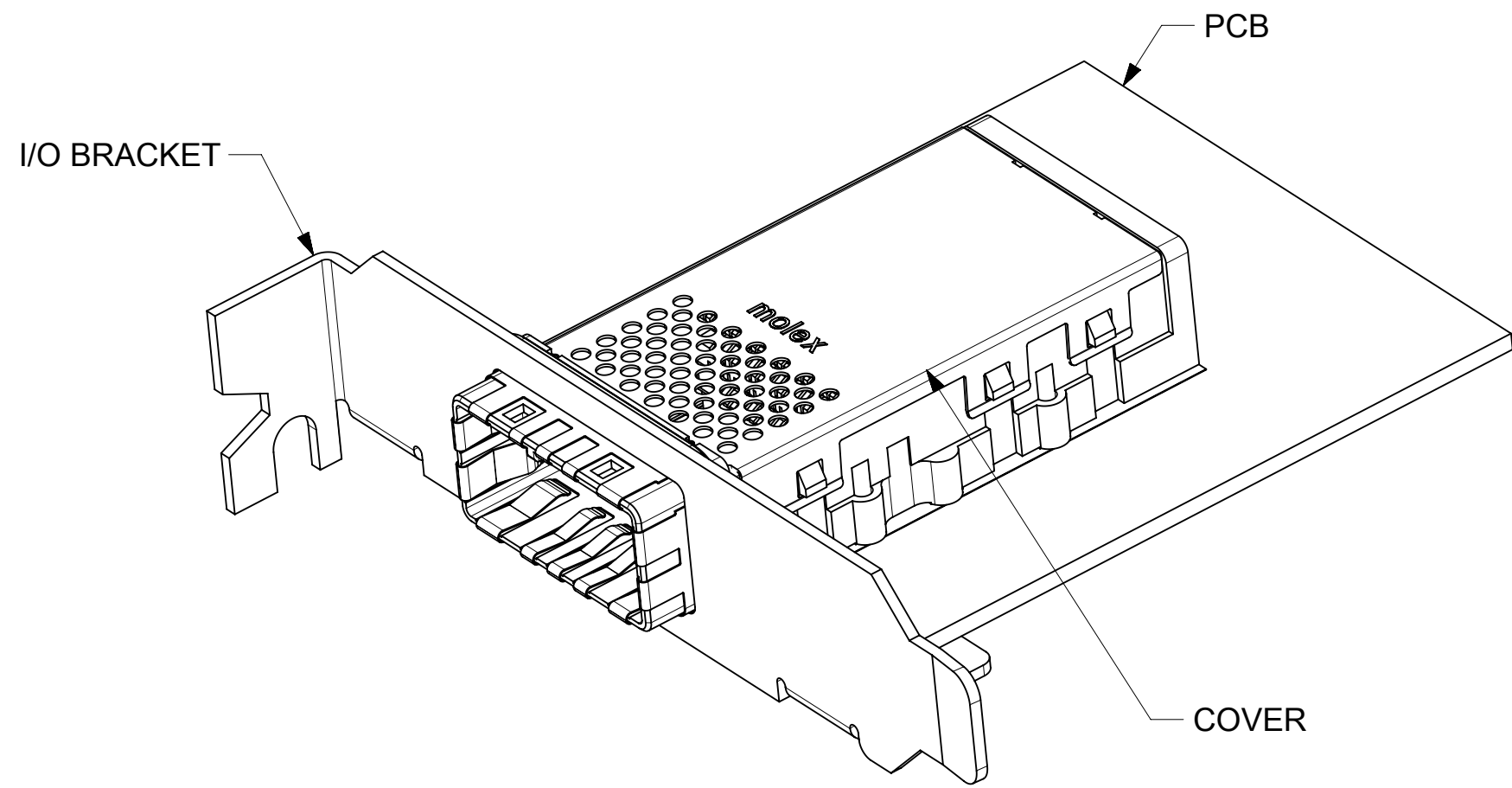
**molex**

ZCXP STANDARD BODY  
84 CIRCUIT 0.8MM I/O CONNECTOR ASSEMBLY

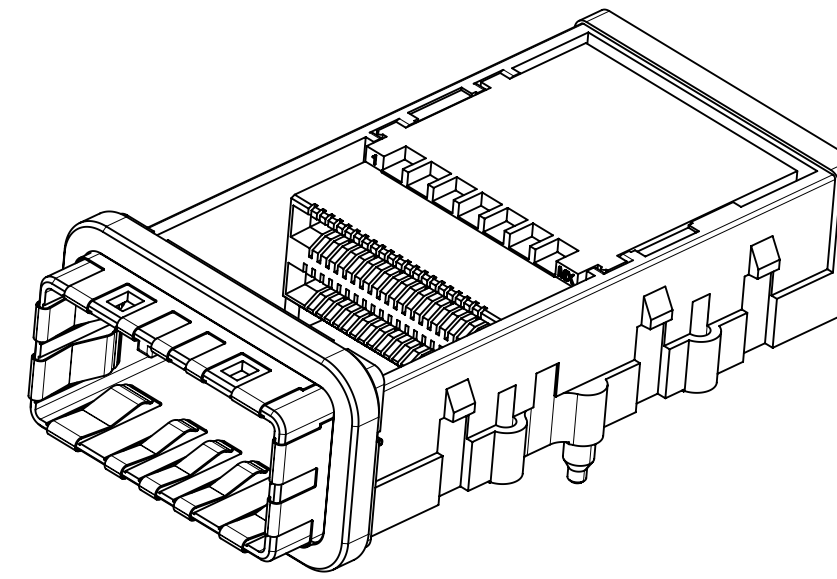
PRODUCT CUSTOMER DRAWING

DOC TYPE DOC PART REVISION  
PSD 001 A

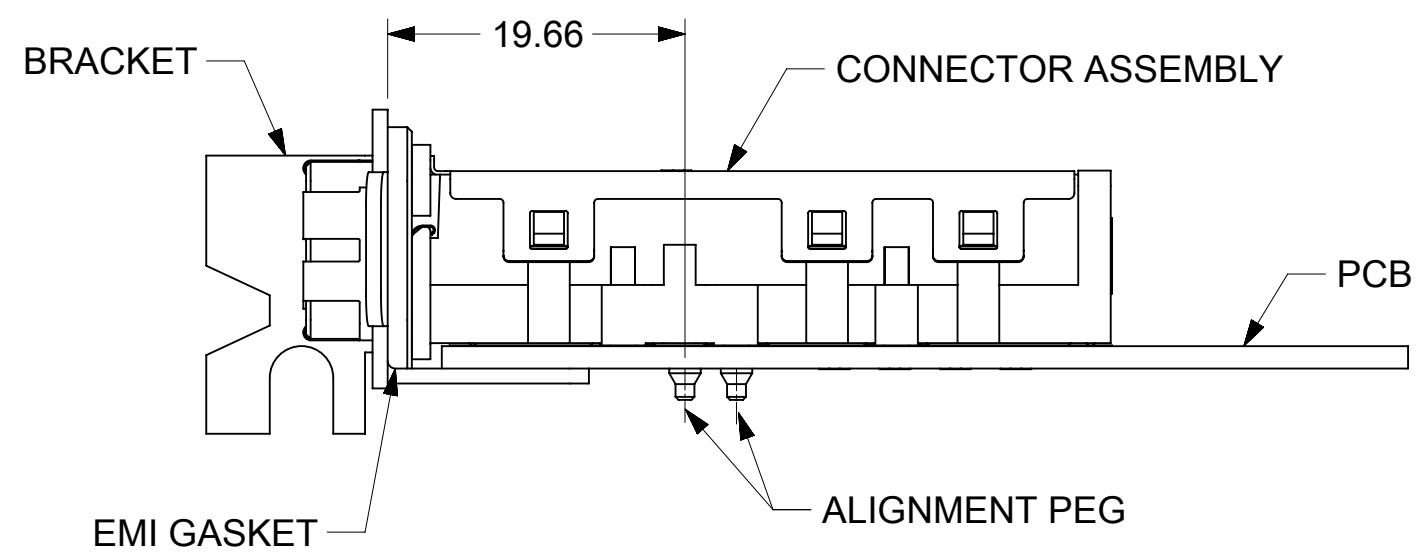
SEE CHART GENERAL MARKET 3 OF 4



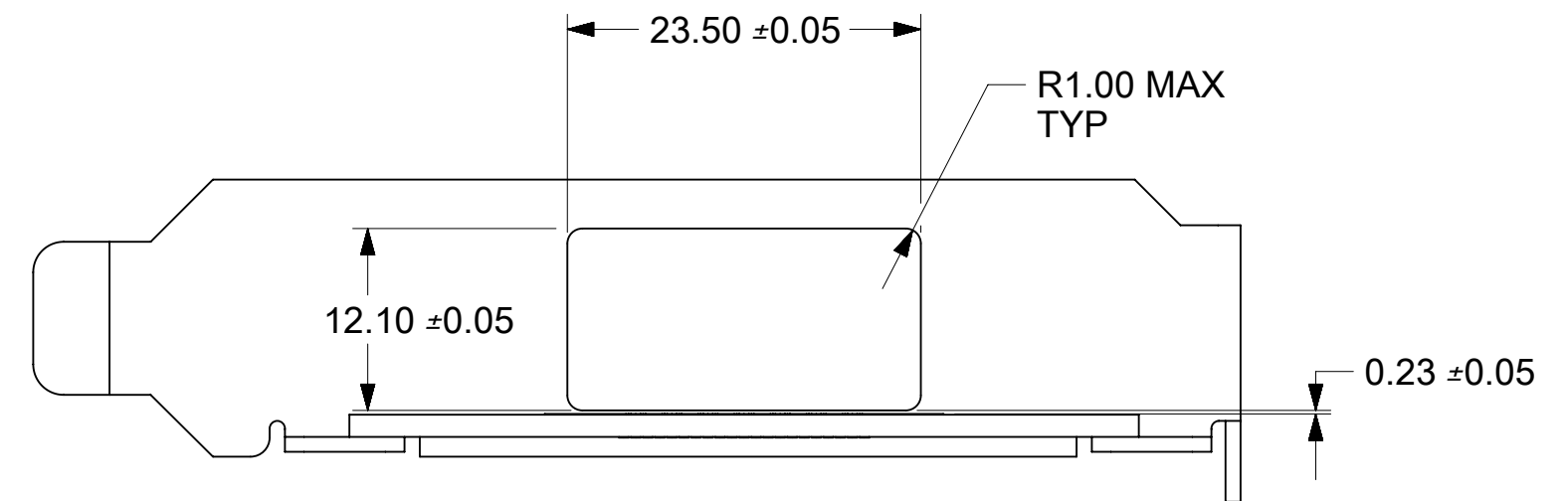
173161-0004



173161-0003



ASSEMBLED VIEW



RECOMMENDED I/O BRACKET CUT-OUT  
(NOT SUPPLIED)

SYMBOLS										THIS DRAWING CONTAINS INFORMATION THAT IS PROPRIETARY TO MOLEX ELECTRONIC TECHNOLOGIES, LLC AND SHOULD NOT BE USED WITHOUT WRITTEN PERMISSION									
DIMENSION UNITS		SCALE		CURRENT REV DESC: DRAWING MIGRATION															
▽ = 0	mm	2:1		EC NO: 620721 DRWN: VNANDAM 2018/08/09 CHK'D: RNELSON 2019/07/18 APPR: RNELSON 2019/07/18 INITIAL REVISION: DRWN: SVANG01 2016/04/07 APPR: SVANG01 2016/04/08															
GENERAL TOLERANCES (UNLESS SPECIFIED)																			
▽ = 0	4 PLACES	±	±																
▽ = 0	3 PLACES	±	±																
▽ = 0	2 PLACES	±	0.25	PRODUCT CUSTOMER DRAWING DOCUMENT NUMBER: SD-173161-0003 DOC TYPE: PSD DOC PART: 001 REVISION: A															
▽ = 0	1 PLACE	±	±																
▽ = 0	0 PLACES	±	±	MATERIAL NUMBER: SEE CHART CUSTOMER: GENERAL MARKET SHEET NUMBER: 4 OF 4															
▽ = 0	ANGULAR TOL		± 0.5 °																
▽ = 0	DRAFT WHERE APPLICABLE		MUST REMAIN WITHIN DIMENSIONS	THIRD ANGLE PROJECTION		DRAWING		SERIES		C-SIZE		173161							

**molex**

ZCXP STANDARD BODY  
84 CIRCUIT 0.8MM I/O CONNECTOR ASSEMBLY

PRODUCT CUSTOMER DRAWING

DOCUMENT NUMBER: SD-173161-0003  
DOC TYPE: PSD  
DOC PART: 001  
REVISION: A

MATERIAL NUMBER: SEE CHART  
CUSTOMER: GENERAL MARKET  
SHEET NUMBER: 4 OF 4